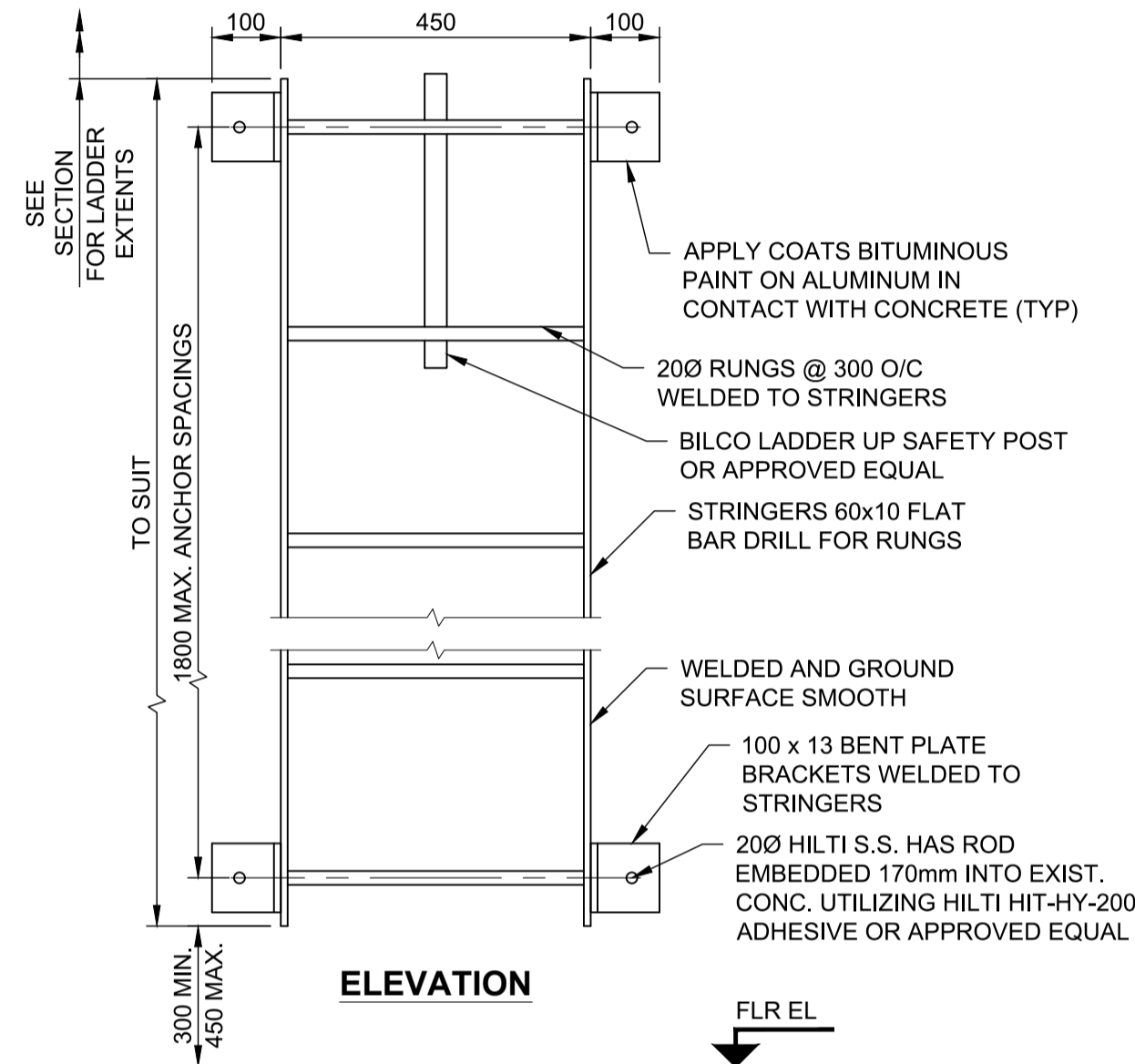


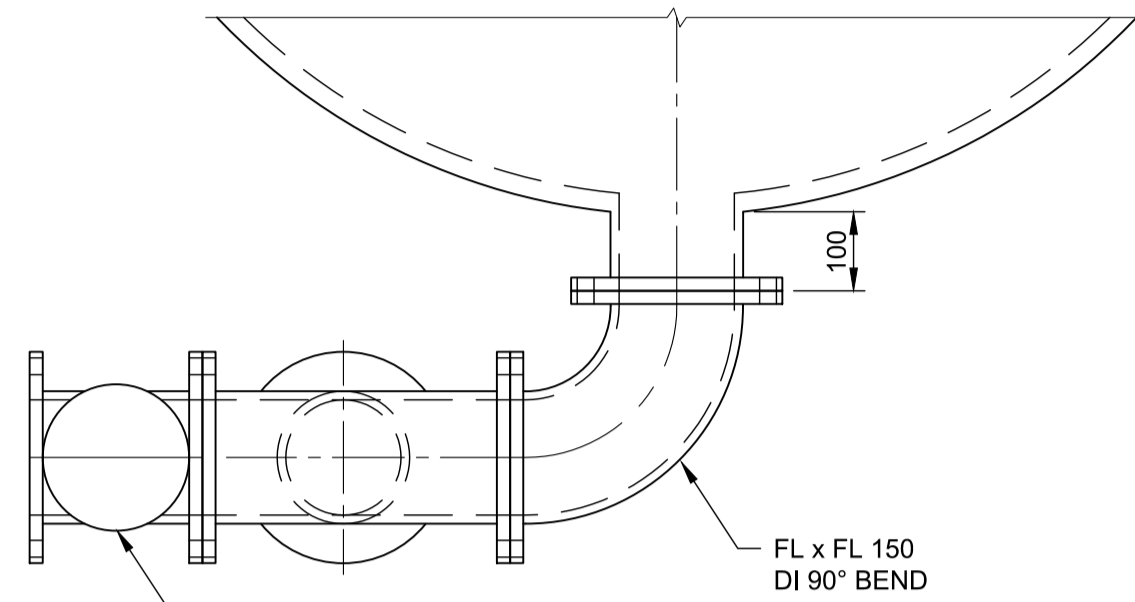
PLAN



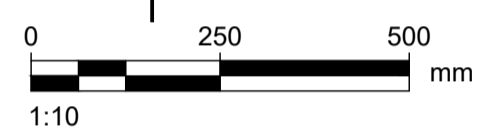
ELEVATION

ALUMINUM LADDER DETAIL

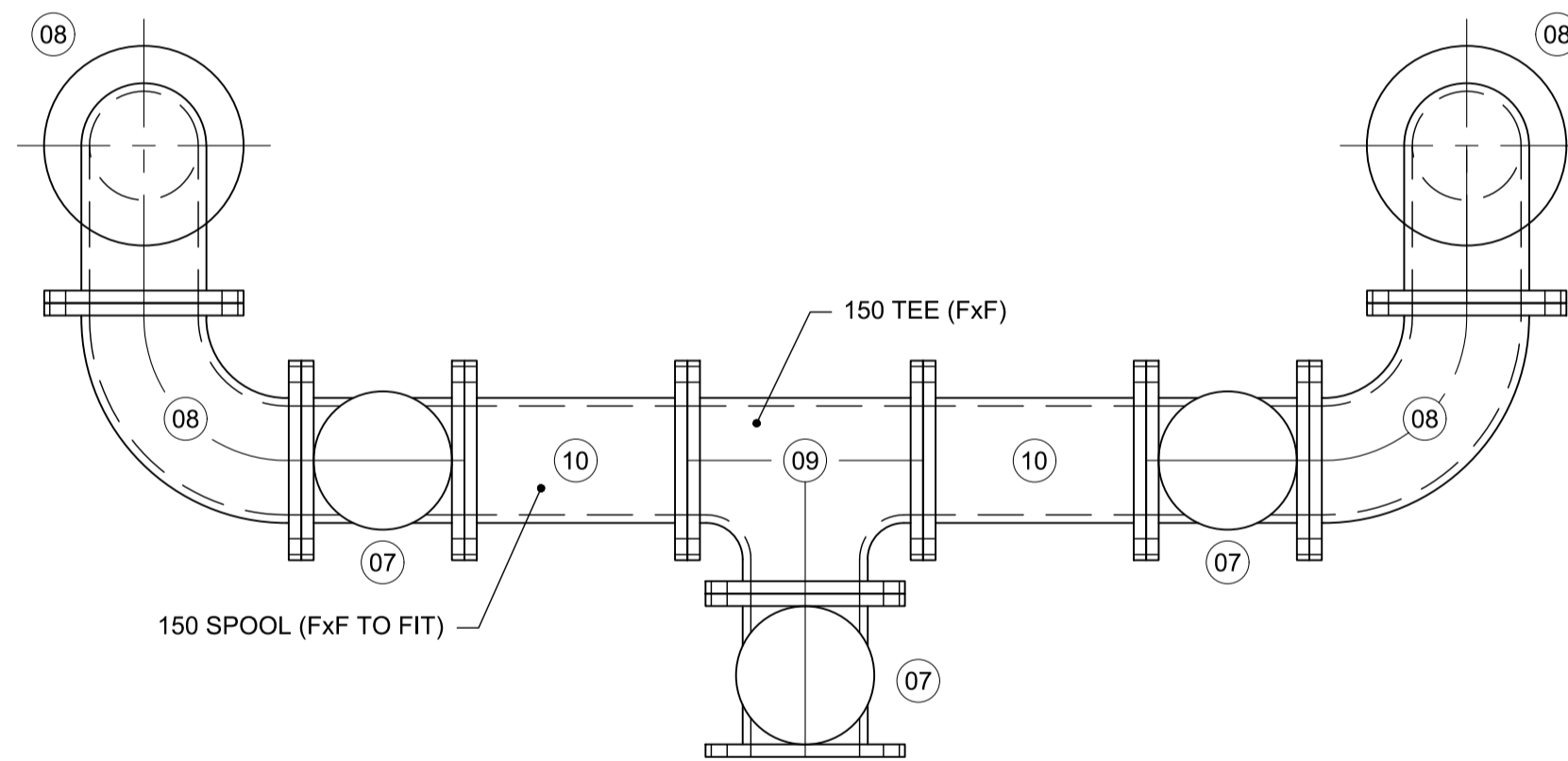
1-0601D-C0002-001



DETAIL
DRAIN ASSEMBLY

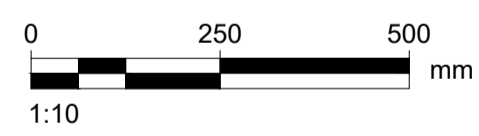


1:10

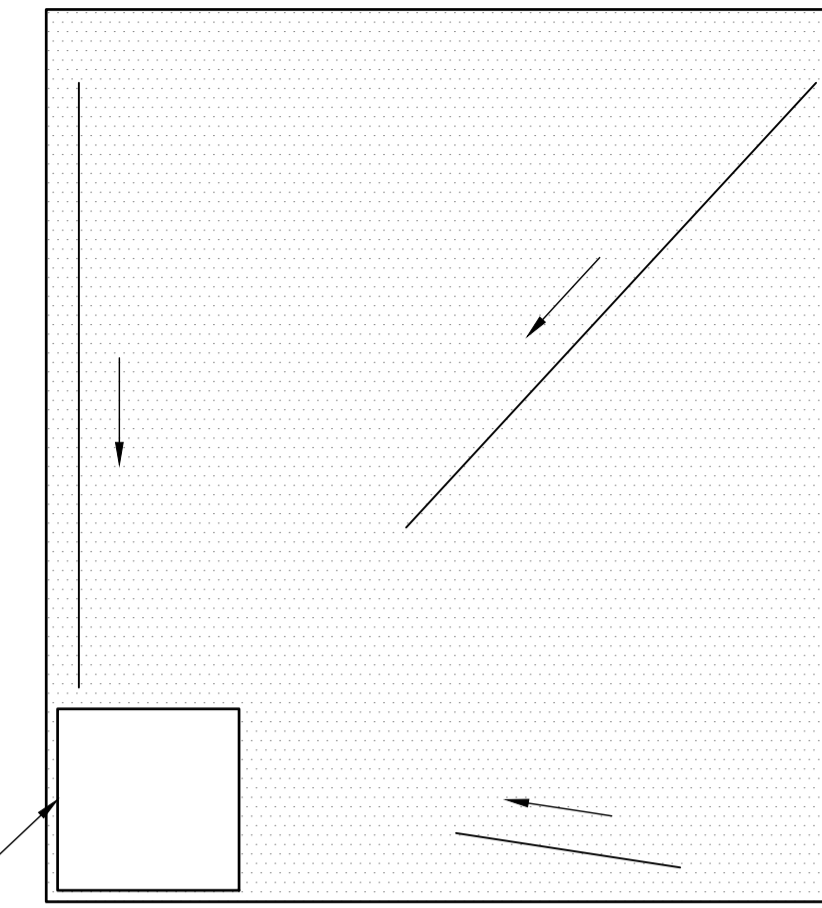


DETAIL
150 DRAIN LINE

1-0601D-C0002-001

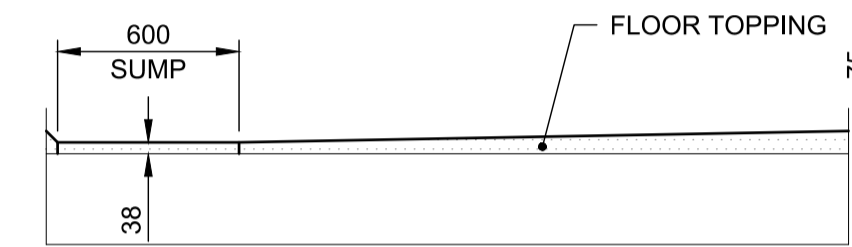


1:10



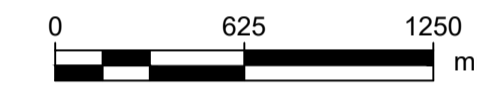
600x600x38 SUMP C/W ZOELLER FLOOR
 SUCKER MODEL 44R OR APPROVED EQUAL

PLAN

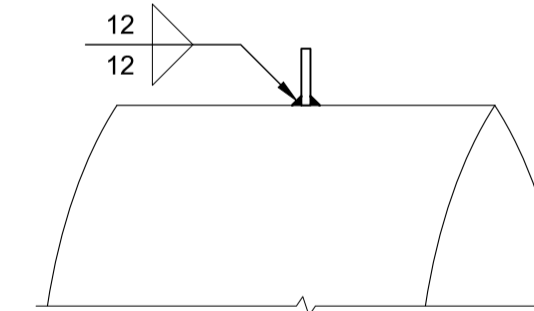


SECTION

1-0601D-C0002-001
FLOOR TOPPING

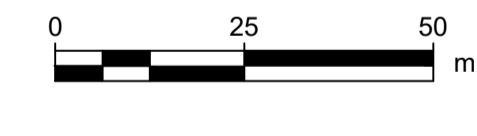


1:25



DETAIL
THRUST FLANGE

1-0601D-C0002-001



1:25

METRIC
 WHOLE NUMBERS INDICATE MILLIMETRES
 DECIMALIZED NUMBERS INDICATE METRES

ENGINEERS GEOSCIENTISTS MANITOBA
 Certificate of Authorization
 AECOM Canada Ltd.
 No. 4671 Date: 17 Aug. 2022

TENDER NO. 640-2022

				DESIGNED BY: MPG CHECKED BY: MGM			ENGINEER'S SEAL ORIGINAL SIGNED BY M.P.A. GAUDREAU August 17, 2022	THE CITY OF WINNIPEG WATER AND WASTE DEPARTMENT ENGINEERING SERVICES DIVISION		
				DRAWN BY: ADL APPROVED BY: CCM				WINNIPEG WATER TREATMENT PLANT DEACON BOOSTER PUMPING STATION CIVIL SUCTION HEADER SPLIT DETAILS		
SCALE: AS NOTED DATE: 2022-08-17				RELEASED FOR CONSTRUCTION BY: JESSICA McCOMBE DATE: 2022-08-18			CITY DRAWING NUMBER 1-0601D-C0003-001			
NO. REVISIONS				DATE DESIGN CHECK			SHEET REV. SIZE 004 01 A1			