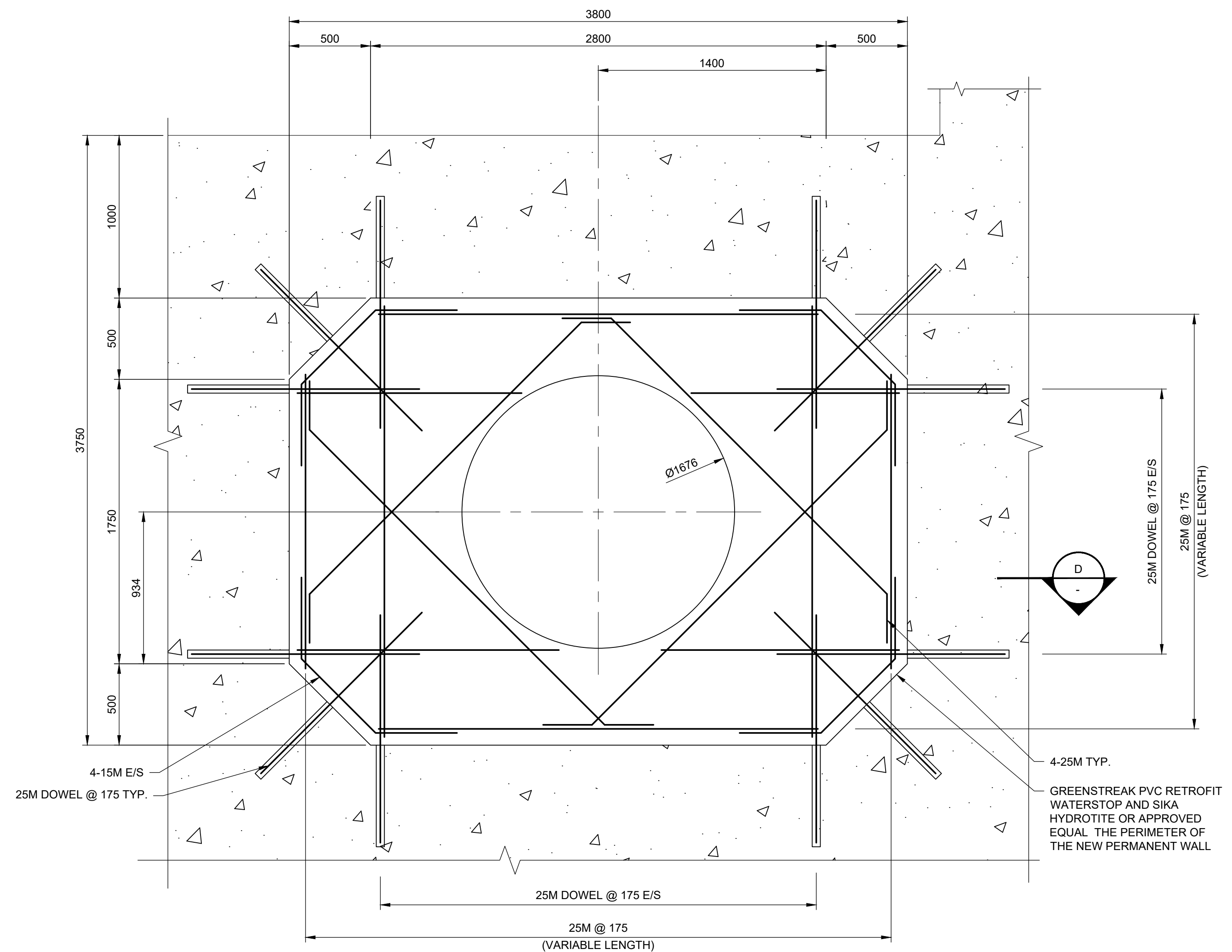
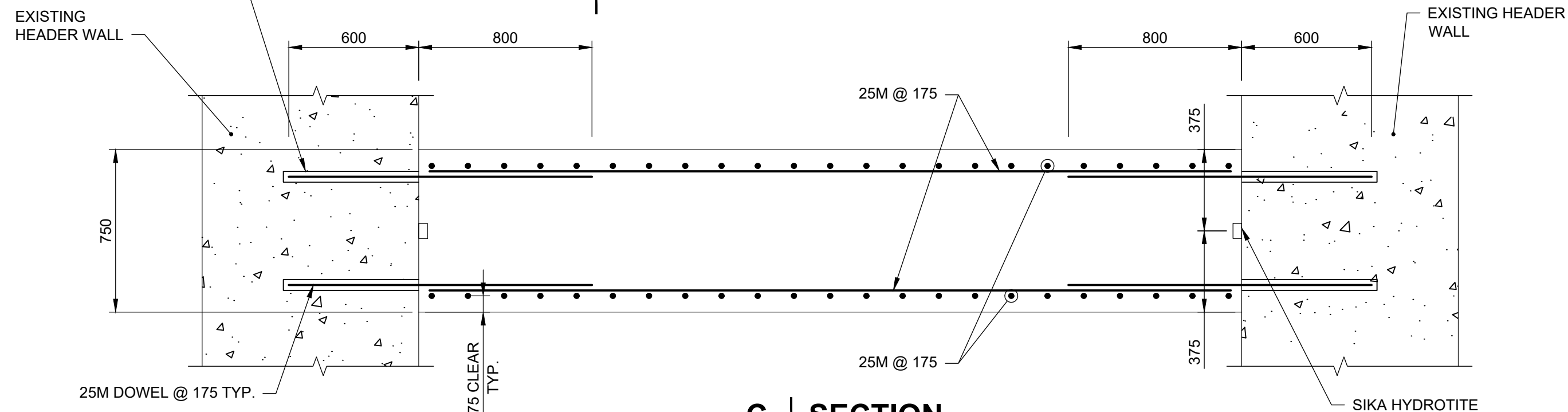


A | TEMPORARY WALL - SECTION
CS-01 SCALE 1:20



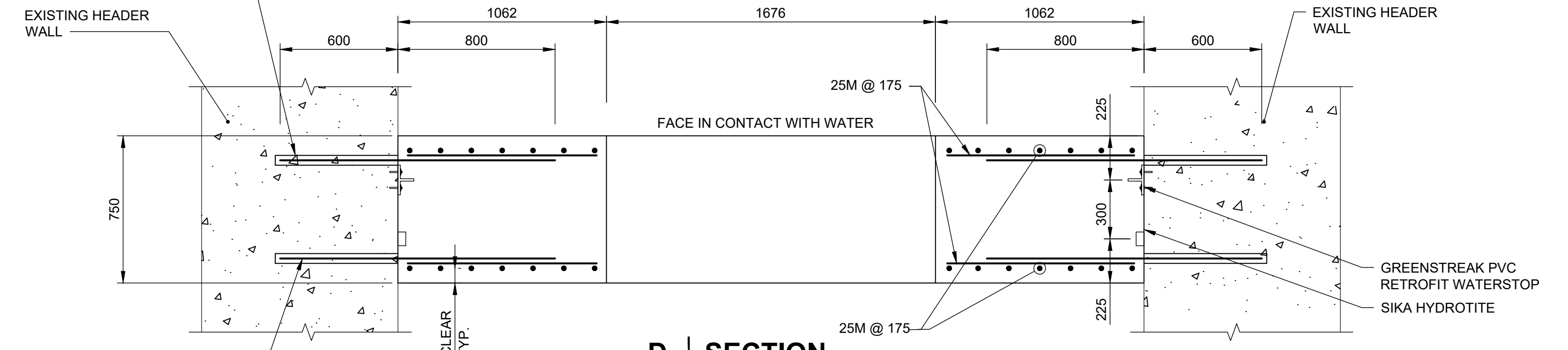
B | PERMANENT WALL - SECTION
CS-01 SCALE 1:20

INSTALL DOWELS USING HILTI HIT-HY 200 OR APPROVED EQUAL AS PER MANUFACTURER INSTRUCTIONS



C | SECTION
SCALE 1:20

INSTALL DOWELS USING HILTI HIT-HY 200 AS PER MANUFACTURER INSTRUCTIONS



D | SECTION
SCALE 1:20

GENERAL NOTES:
SELECTIVE DEMOLITION
- PREVENT DAMAGE OF ADJACENT PARTS OF EXISTING STRUCTURE.
- THE CONTRACTOR SHALL BE HELD RESPONSIBLE FOR DAMAGE TO EXISTING FACILITIES CAUSED BY DEMOLITION AND REMOVAL OF TEMPORARY WALL.
- HANDLE SALVAGED MATERIALS AS NEW MATERIALS.

CONCRETE MIX:
- TYPE PORTLAND CEMENT: HE
- MINIMUM COMPRESSIVE STRENGTH AT 3 DAYS = 35 MPa
- EXPOSURE CLASS = C-1
- NOMINAL SIZE OF AGGREGATE = 20MM
- AIR CONTENT = 5-8%
- CHEMICAL ADMIXTURES = WATER REDUCER AND SUPERPLASTICIZER QUANTITY TO MANUFACTURER'S RECOMMENDATIONS.
- UNLESS OTHERWISE ACCEPTED, CONCRETE SHALL BE PLACED IN A SINGLE OPERATION TO THE FULL THICKNESS IN THE FORMS.
- CONCRETE, DURING AND IMMEDIATELY AFTER DEPOSITING, SHALL BE THOROUGHLY AND UNIFORMLY COMPACTED BY MEANS OF TAMPING, HAND TOOLS, FINISHING MACHINES AND VIBRATORS IN ORDER TO SECURE DENSE, WATERTIGHT, HOMOGENEOUS CONCRETE WELL BONDED WITH THE REINFORCING AND WITH SMOOTH FORMED SURFACES.

- WHEN CONCRETE IS TRANSPORTED TO THE SITE BY MEANS OF AGITATING OR MIXING EQUIPMENT, DISCHARGE OF THE CONCRETE INTO THE FORMS SHALL BE COMPLETED WITHIN 90 MINUTES AFTER INTRODUCTION OF CEMENT INTO THE CONCRETE MIXES.
- DO CAST-IN-PLACE CONCRETE WORK TO CSA A23.1/A23.2.

CONCRETE REINFORCEMENT
- REINFORCING STEEL BARS: CARBON STEEL, GRADE 400 W.
- PLACE REINFORCING STEEL IN ACCORDANCE WITH CAN/CSA-A23.1. MINIMUM CONCRETE COVER: 75mm

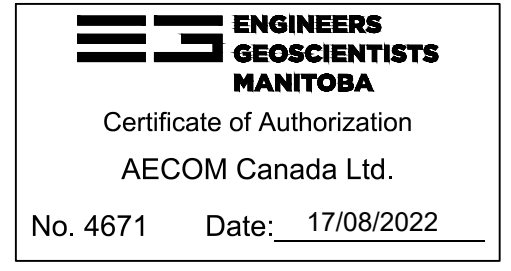
ANCHORS
- ANCHOR DOWELS WITH CHEMICAL GROUT SIKA HILTI-HY 200-Z OR APPROVED EQUAL
- DRILL HOLE TO DIAMETER AS RECOMMENDED BY GROUT MANUFACTURER.
- CLEAN HOLE IN ACCORDANCE WITH MANUFACTURER'S WRITTEN RECOMMENDATIONS.
- PLACE GROUT AND SET REINFORCING IN ACCORDANCE WITH MANUFACTURER'S WRITTEN RECOMMENDATIONS.
- LOCATE THE HOLES FOR THE DOWELS TO MISS THE REINFORCING STEEL IN THE EXISTING CONCRETE AND THE TEMPORARY WALL.

WATERSTOP FOR TEMPORARY WALL:
- USE SIKA HYDROTITE CJ OR APPROVED EQUAL (TYP.).

FOR PERMANENT WALL:
- USE GREENSTREAK PVC RETROFIT WATERSTOP OR APPROVED EQUAL
- USE SIKA HYDROTITE CJ OR APPROVED EQUAL

- WATERSTOP PRODUCTS SHALL COMPLY WITH NSF 61.
- PRODUCTS SHALL BE INSTALLED ACCORDING TO MANUFACTURER.

ACCESS HATCH:
915x915 ALUMINUM DOOR AND FRAME.
ACUDOR FA - RETROFIT OR SIMILAR.
INSTALL ACCORDING TO MANUFACTURER INDICATIONS.



METRIC
WHOLE NUMBERS INDICATE MILLIMETRES
DECIMALIZED NUMBERS INDICATE METRES

NO.	REVISIONS	DATE	DESIGN	CHECK
01	ISSUED FOR CONSTRUCTION	22/08/17	CC	FT
00	ISSUED FOR 90% DESIGN	22/07/20	CC	FT

AECOM	
DESIGNED BY: CC	CHECKED BY: FT
DRAWN BY: KC	APPROVED BY: EBL
SCALE: AS NOTED	RELEASED FOR CONSTRUCTION BY: JESSICA McCOMBE
DATE: 2022-06-24	DATE: 2022-08-18
CONSULTANT NO.:	S-0002

ENGINEER'S SEAL
ORIGINAL SIGNED BY F. TABEL
Aug. 17, 2020

THE CITY OF WINNIPEG
WATER AND WASTE DEPARTMENT
ENGINEERING SERVICES DIVISION

WINNIPEG WATER TREATMENT PLANT
DEACON BOOSTER PUMP STATION
STRUCTURAL
SUCTION HEADER SPLIT
WALL SECTIONS AND DETAILS

CITY DRAWING NUMBER: 1-0601D-S0002-001
SHEET: 006
REV: 01
SIZE: A1