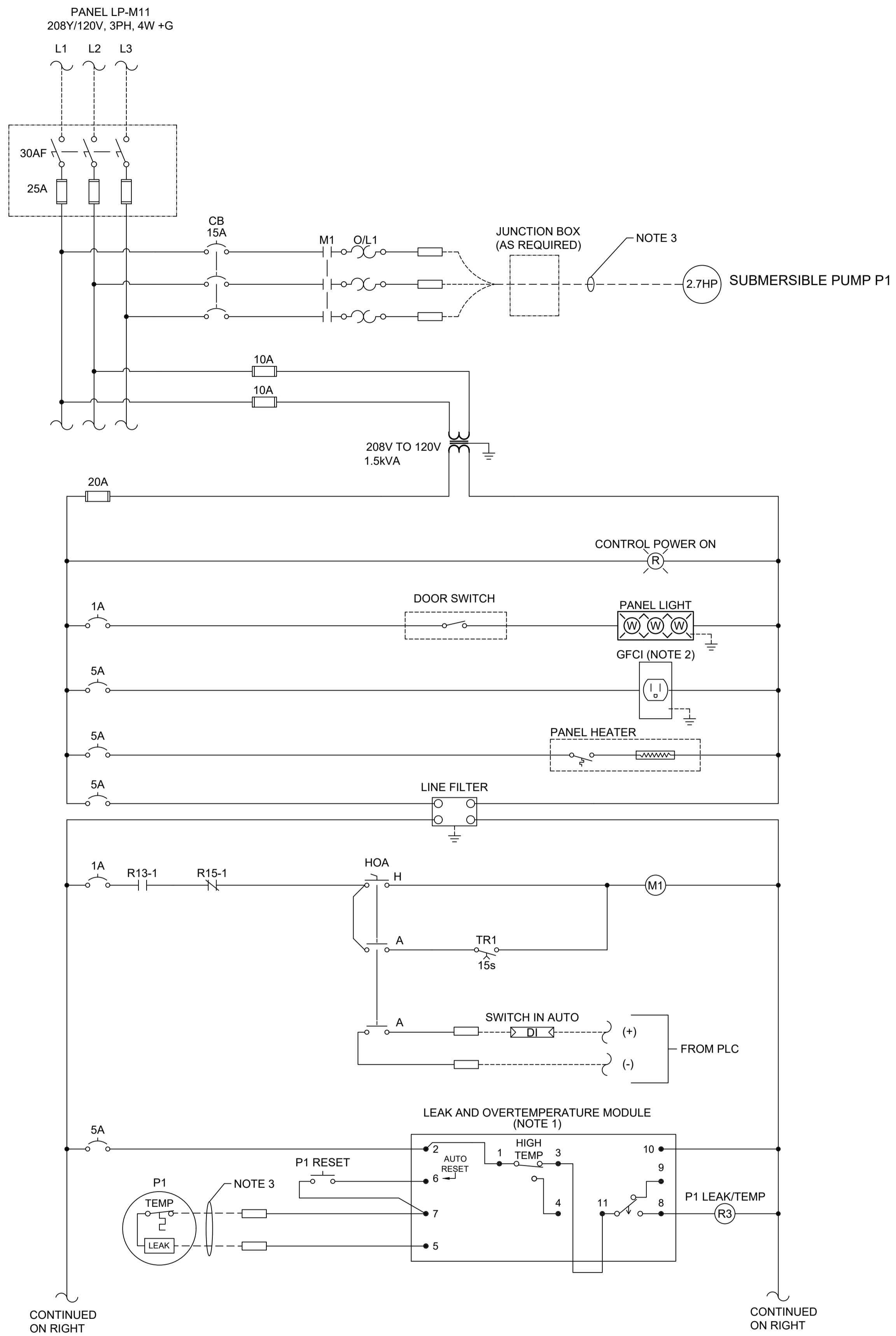
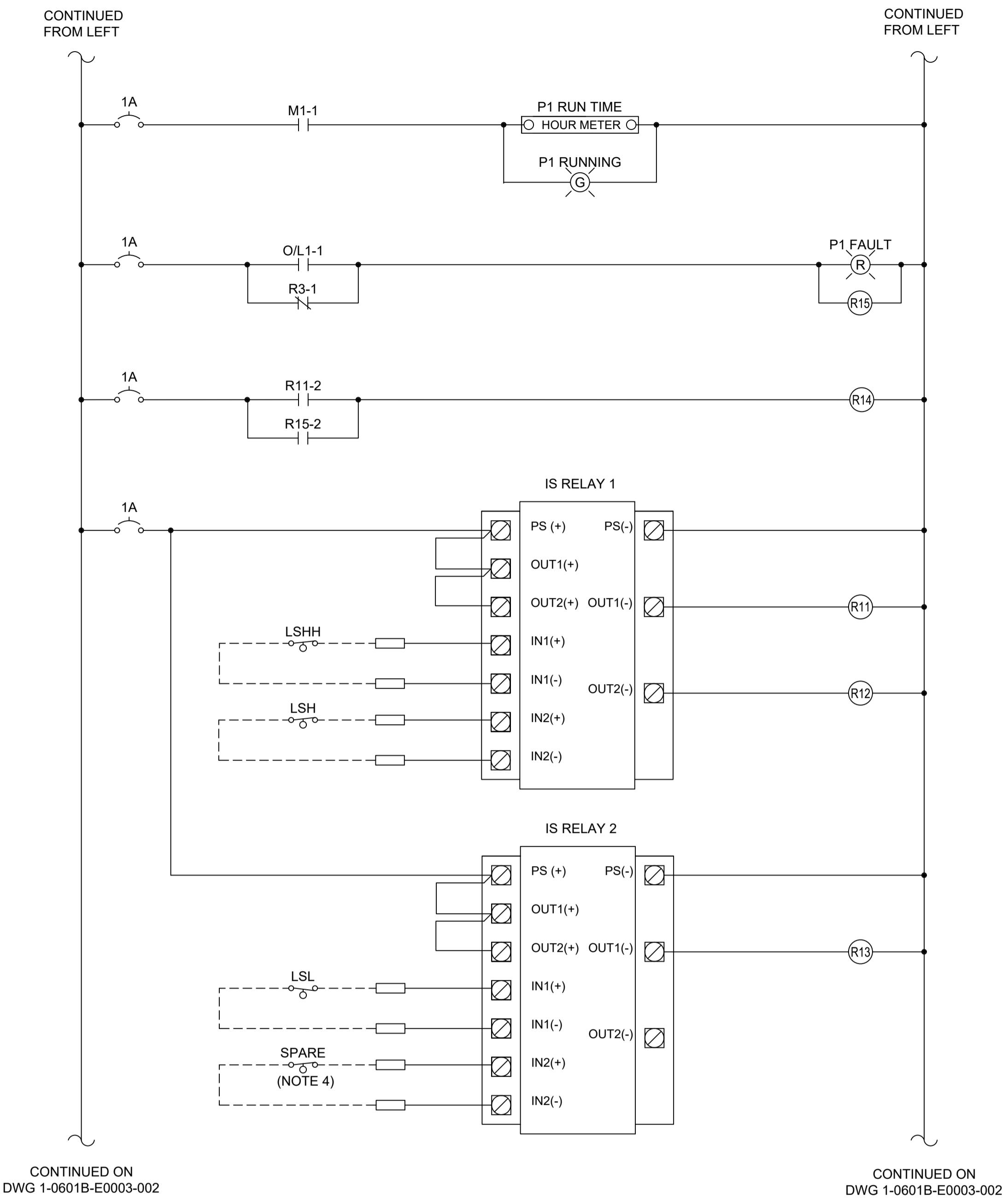


Project Management Initials: Designer: _____ Checked: _____ Approved: _____



1 MANHOLE PUMP CONTROL PANEL SCHEMATIC DIAGRAM (TYP)

Scale N.T.S.



- NOTES:
1. BASIS OF DESIGN: FLYGT MINICAS CONFIGURED SUCH THAT EITHER LEAK OR OVERTEMPERATURE WILL TRIGGER ALARM.
 2. PROVIDE LABEL WITH "CONVENIENCE RECEPTACLE ONLY. MAX 5A".
 3. CABLE PROVIDED BY PUMP VENDOR.
 4. TERMINATE SPARE FLOAT TO TERMINALS. FLOAT IS INTENDED TO BE CONNECTED OR RE-TERMINATED TO INTRINSICALLY SAFE BARRIER IF USED AS REPLACEMENT FOR OTHER FLOATS.
 5. RELAY CONTACTS ARE SHOWN IN THEIR DE-ENERGIZED STATE

ENGINEERS
GEOSCIENTISTS
MANITOBA
 Certificate of Authorization
 AECOM Canada Ltd.
 No. 4671 Date: 2022-09-07

DESIGNED BY:	CR	CHECKED BY:	JG
DRAWN BY:	CR	APPROVED BY:	KWF
SCALE:	AS SHOWN	RELEASED FOR CONSTRUCTION BY:	MATTHEW SKINNER
DATE:	2022-09-07	DATE:	2022-09-08
CONSULTANT NO.:	E-0003		

AECOM

ENGINEER'S SEAL
 ORIGINAL SIGNED
 BY C.L.
 ROBINSON
 2022-09-06

THE CITY OF WINNIPEG
 WATER AND WASTE DEPARTMENT

WATER TREATMENT PLANT - FLOOD PROTECTION
 WATER TREATMENT PLANT
 AUTOMATION
 TYPICAL CONTROL PANEL SCHEMATIC
 FOR PUMPS PANEL CP-Y700, RWPS PUMPS PANEL CP-Y701

CITY DRAWING NUMBER: **1-0601B-E0003-001** SHEET: **014** REV: **PB** SIZE: **A1**