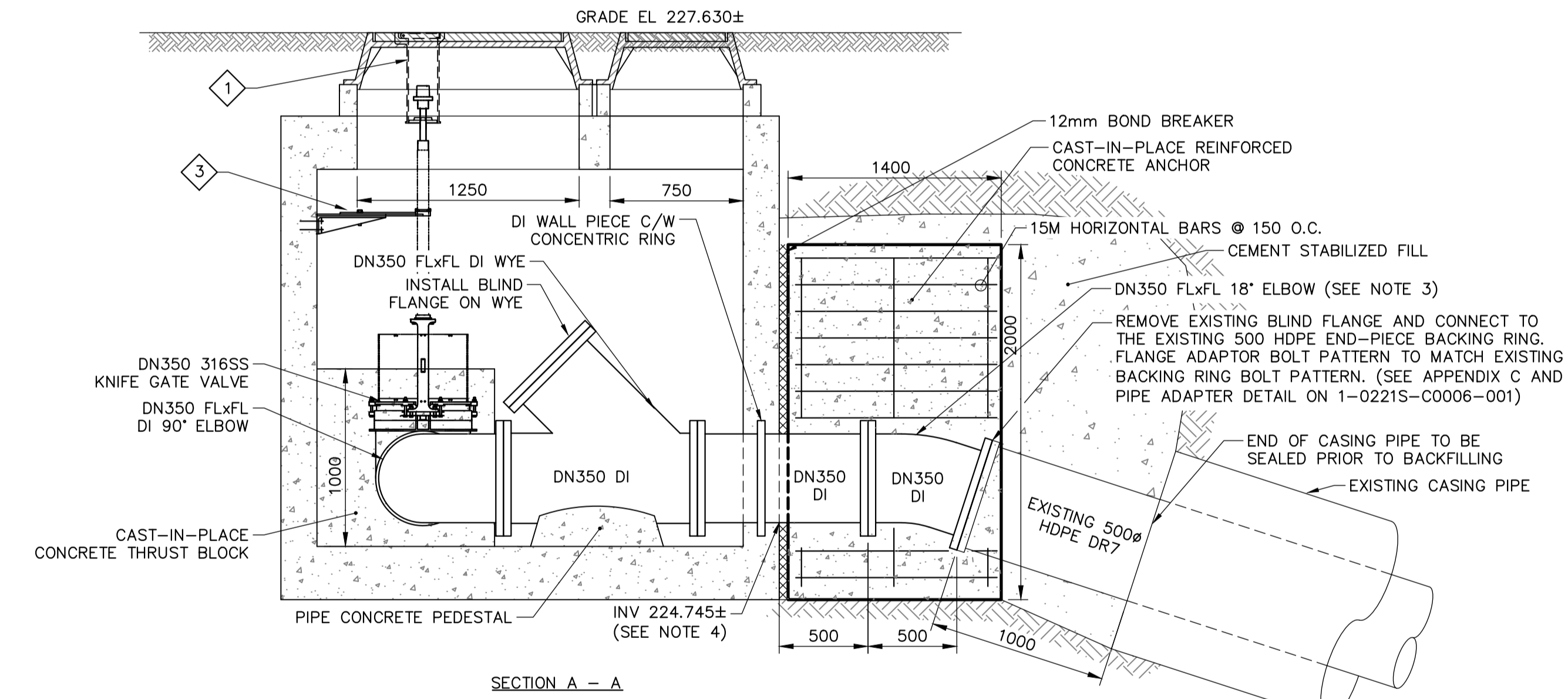
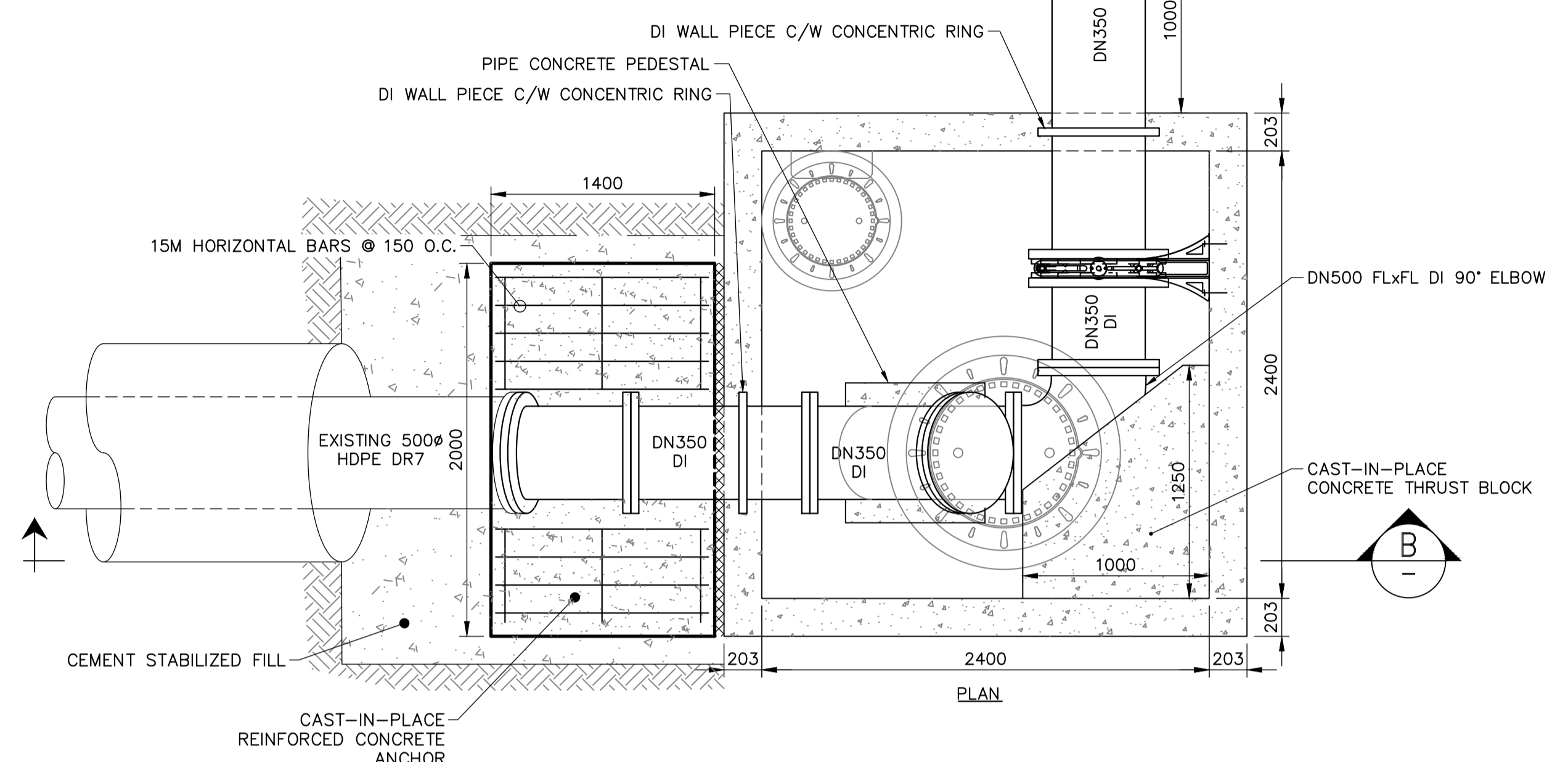
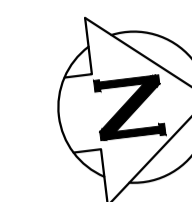
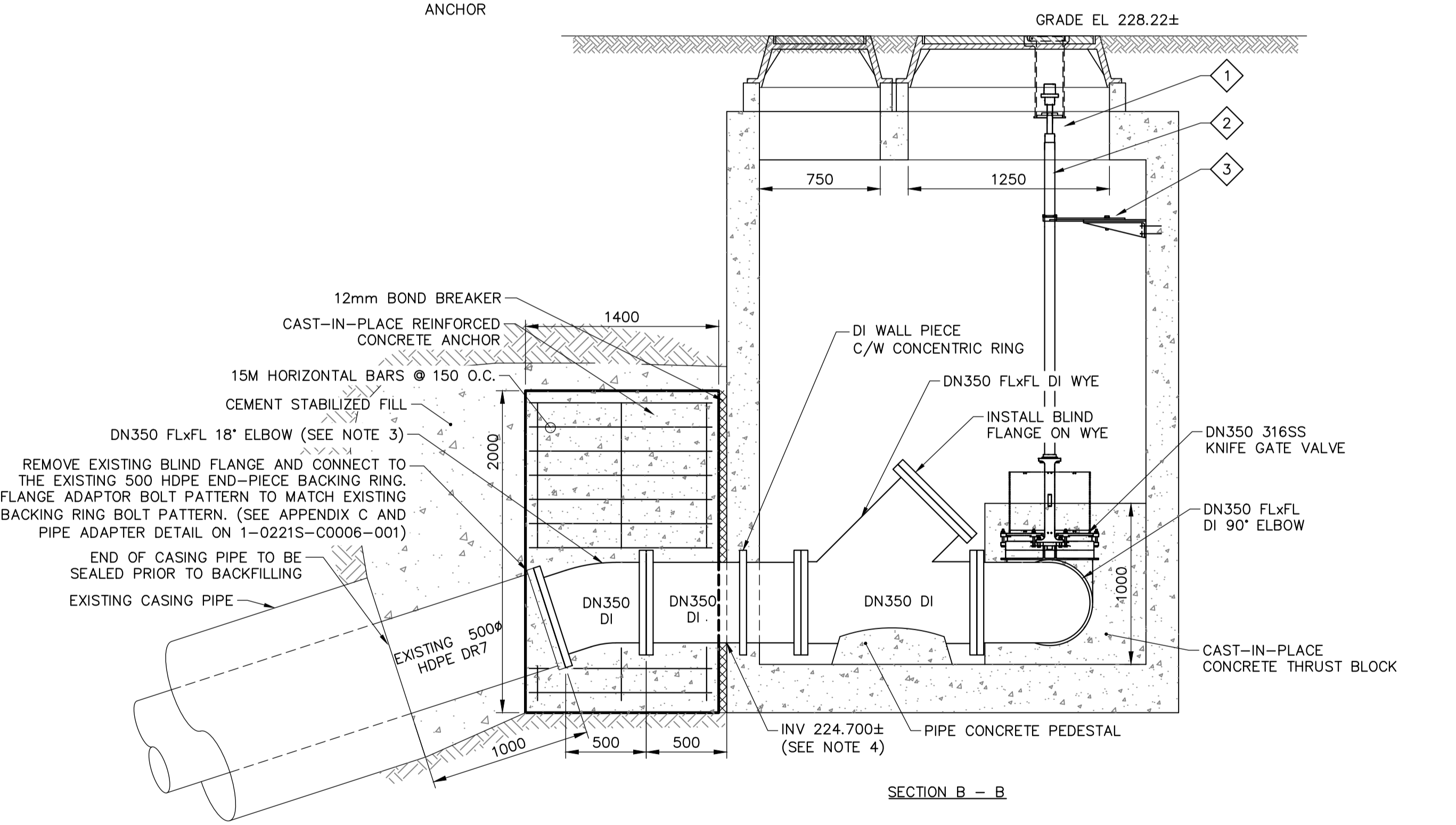


- GENERAL NOTES:**
1. CONFORM TO ALL APPLICABLE CODES AND STANDARDS, INCLUDING AWWA/ANSI C600 (INSTALLATION OF DUCTILE IRON MAINS AND THEIR APPURTENANCES).
  2. DIMENSIONS AND LAYOUT ARE APPROXIMATE ONLY. ALL DIMENSIONS AND LAYOUT MUST BE CONFORMED BY THE CONTRACTOR BEFORE COMMENCING WORK.
  3. ANGLE SHOWN IS APPROXIMATE. ACTUAL ANGLE TO BE VERIFIED BY CONTRACTOR PRIOR TO PREPARING SHOP DRAWINGS.
  4. ACTUAL ELEVATION TO BE DETERMINED IN THE FIELD IN COORDINATION WITH THE CONTRACT ADMINISTRATOR.

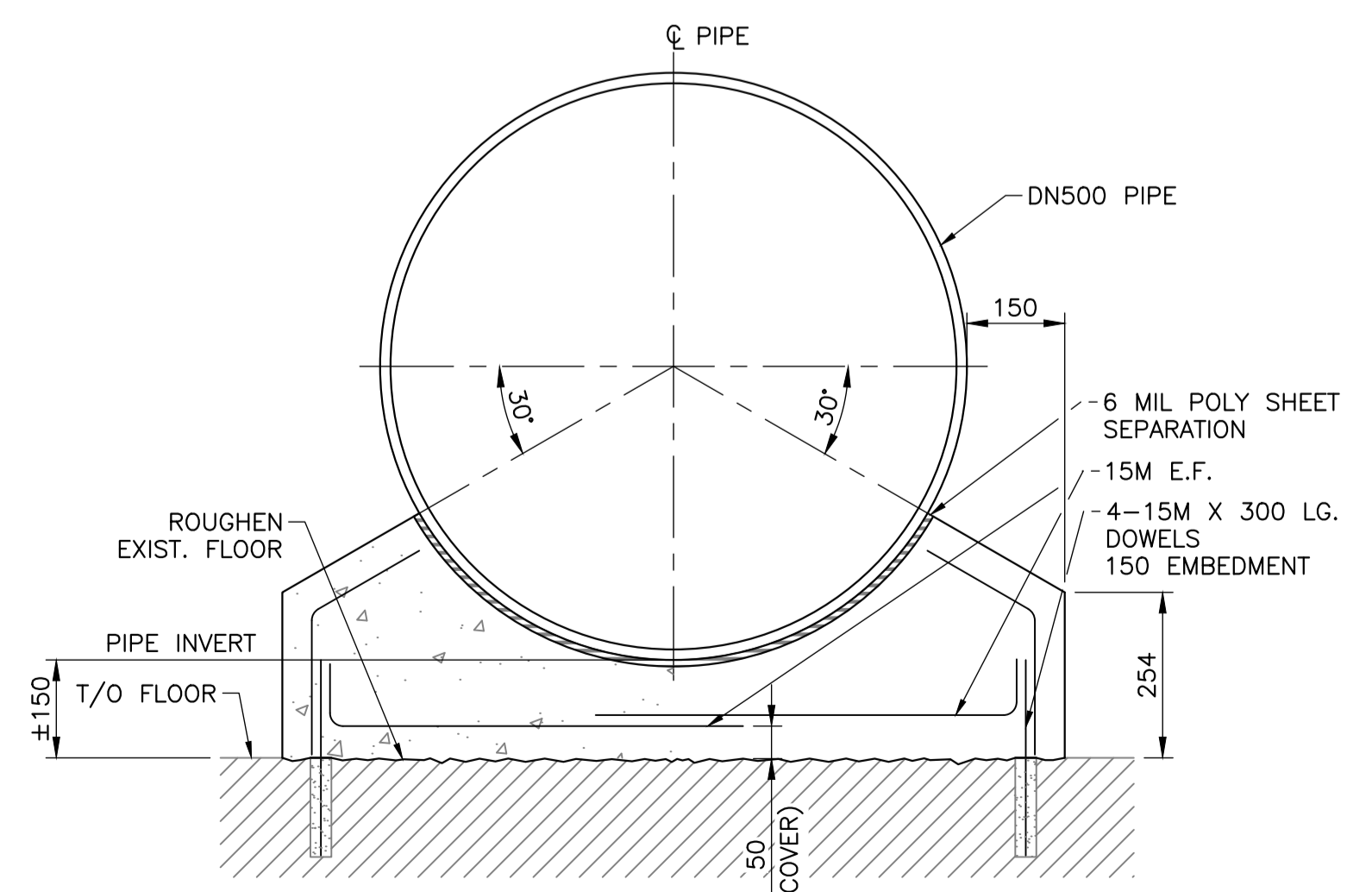
- KEYNOTES:**
1. NEW CITY OF WINNIPEG STANDARD VALVE BOX WITH HINGED COVER MARKED WITH AN "S".
  2. NEW CITY OF WINNIPEG STANDARD VALVE STEM EXTENSION TYPE 304 STAINLESS STEEL FINISH WITH 50x50mm (2"x2") SQUARE OPERATING NUT C/W CENTERING RING.
  3. NEW VALVE STEM GUIDE MOUNTED ON MANUFACTURER APPROVED EXTENSION BRACKET. LOCATE SUPPORT AT THE MIDWAY POINT OF THE NEW VALVE STEM EXTENSION IN ACCORDANCE WITH MANUFACTURER'S RECOMMENDATIONS.



**FRASER'S GROVE PARK LAUNCH WYE CHAMBER**  
SCALE N.T.S.



**KILDONAN PARK LAUNCH WYE CHAMBER**  
SCALE N.T.S.



**PIPE CONCRETE PEDESTAL DETAIL**  
SCALE N.T.S.

FOR INDEX PAGE  
SEE DWG  
1-0221S-D0007-001

ISSUED FOR TENDER  
NOT TO BE USED FOR CONSTRUCTION

**METRIC**  
WHOLE NUMBERS INDICATE MILLIMETRES  
DECIMALIZED NUMBERS INDICATE METRES

LOCATION APPROVED UNDERGROUND STRUCTURES		B.M. ELEV.	
SUPV. U/G STRUCTURES COMMITTEE	DATE		
NOTE: LOCATION OF UNDERGROUND STRUCTURES AS SHOWN ARE BASED ON THE BEST INFORMATION AVAILABLE BUT NO GUARANTEE IS GIVEN THAT ALL EXISTING UTILITIES ARE SHOWN OR THAT THE GIVEN LOCATIONS ARE EXACT. CONFIRMATION OF EXISTENCE AND EXACT LOCATION OF ALL SERVICES MUST BE OBTAINED FROM THE INDIVIDUAL UTILITIES BEFORE PROCEEDING WITH CONSTRUCTION.			

DESIGNED BY	TLE	CHECKED BY	
DRAWN BY	GEL	APPROVED BY	
SCALE:	HORIZONTAL AS NOTED	RELEASED FOR CONSTRUCTION	
VERTICAL	NA		
DATE	2023 03 23	DATE	
PLOT DATE:	2023 03 23		

<b>KGS GROUP</b>	
ENGINEER'S SEAL	
CONSULTANT DRAWING NUMBER	1-0221S-C0005-001

CONTRACT NUMBER	814-2022
FILE PATH:	P:\Projects\2022\22-0107-021\Drawings\Miscellaneous

**THE CITY OF WINNIPEG**  
WATER AND WASTE DEPARTMENT  
ENGINEERING DIVISION

**NEWTON FORCE MAIN**  
RIVER CROSSING REPLACEMENT

**MISCELLANEOUS DETAILS**

SHEET **8** OF **14**  
CITY DRAWING NUMBER  
1-0221S-C0005-001