

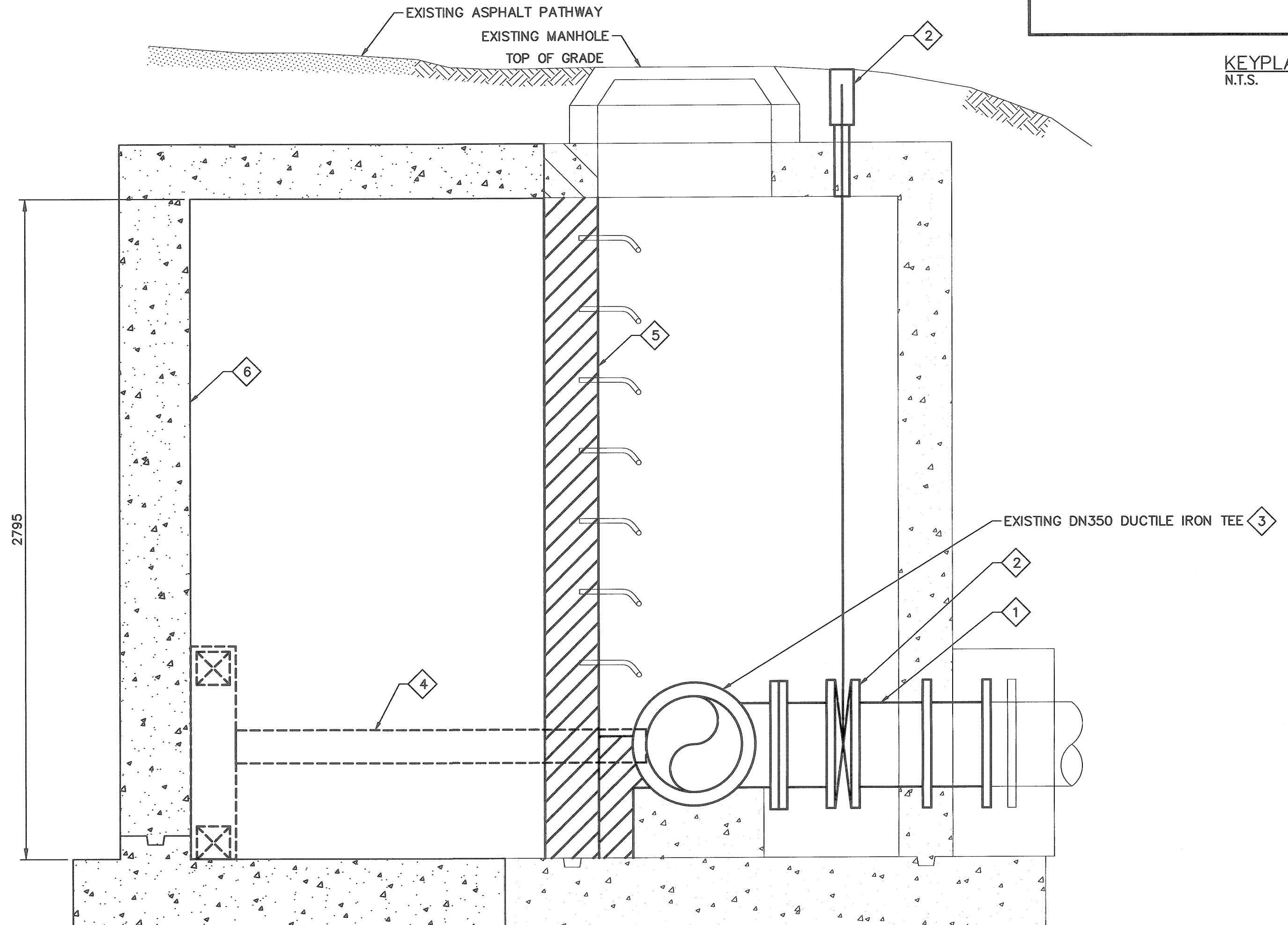
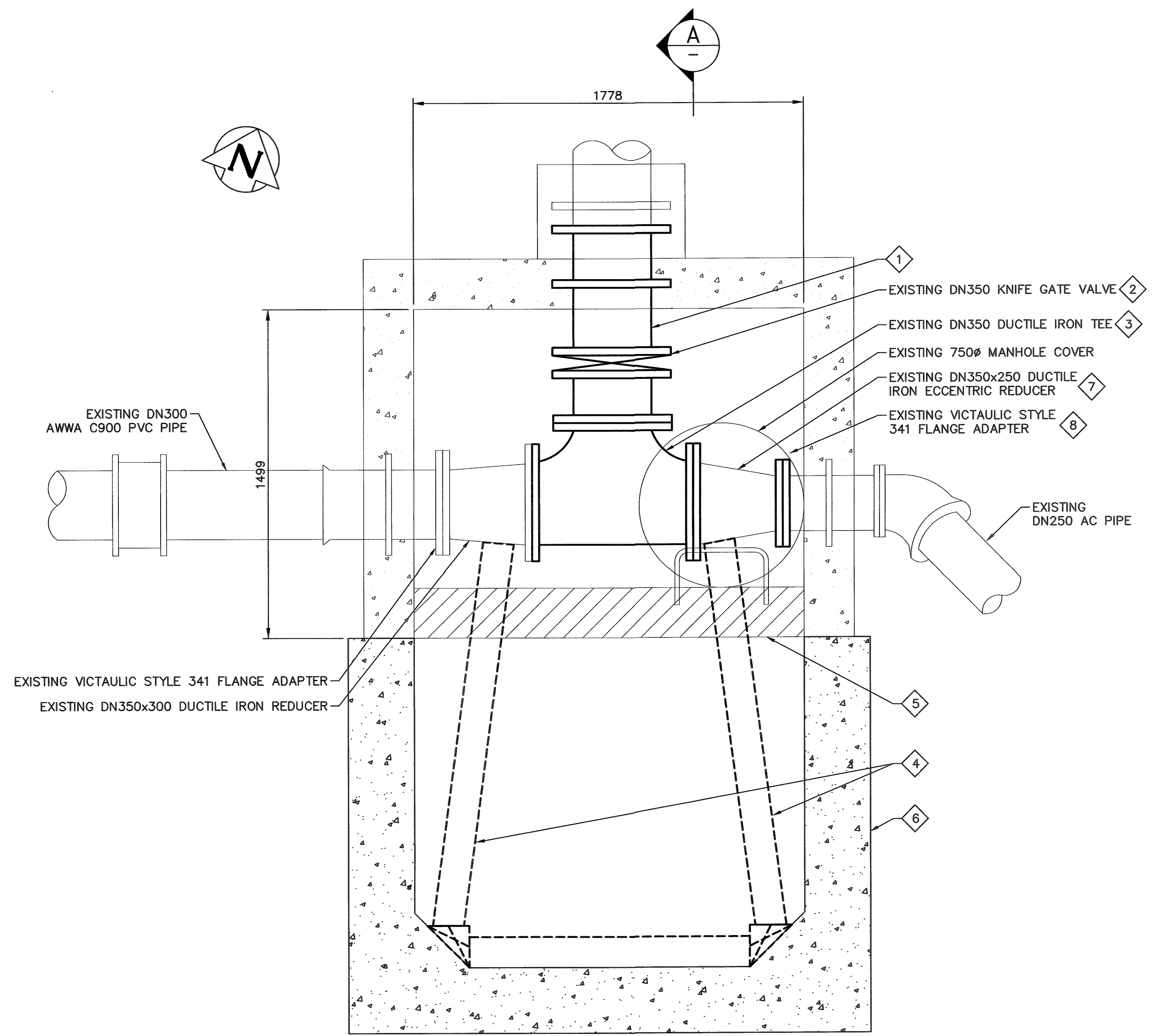
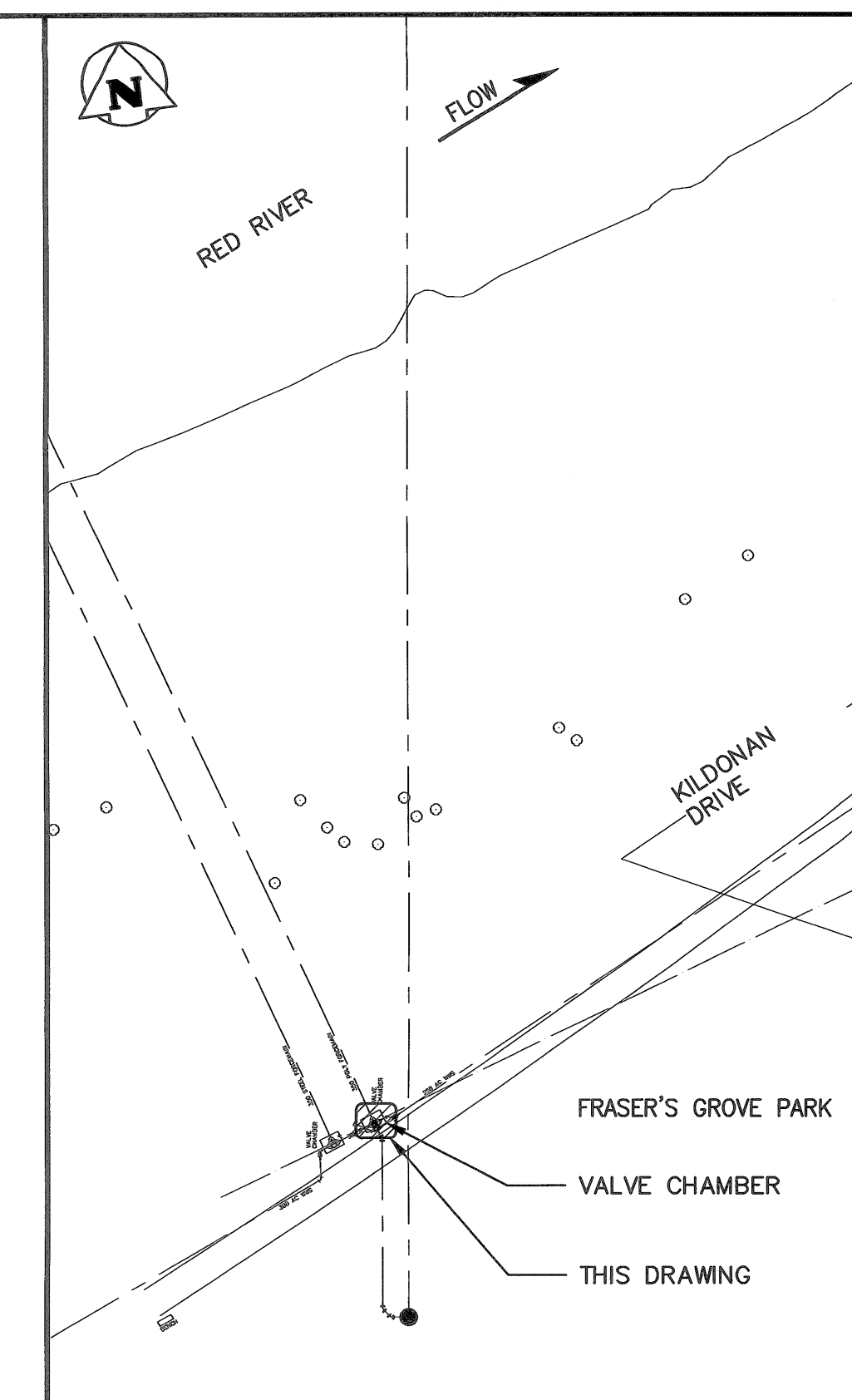
GENERAL NOTES:

1. CONFORM TO ALL APPLICABLE CODES AND STANDARDS, INCLUDING AWWA/ANSI C600 (INSTALLATION OF DUCTILE IRON MAINS AND THEIR APPURTENANCES) AND AWWA/ANSI C906 (POLYETHYLENE PRESSURE PIPE AND FITTINGS).
2. DIMENSIONS AND LAYOUT IS APPROXIMATE ONLY. ALL DIMENSIONS AND LAYOUT MUST BE CONFIRMED BY THE CONTRACTOR BEFORE COMMENCING WORK.
3. PIPING DEMOLITION AND MODIFICATION WORK DESCRIBED ON THIS DRAWING SHALL BE COMPLETED IN COORDINATION WITH PUMP STATION SHUTDOWNS. THE CONTRACTOR SHALL PROVIDE AN OPERATION PLAN AND SEQUENCE OF WORK, IN ACCORDANCE WITH PART E SPECIFICATIONS "HAWTHORNE VALVE CHAMBER MODIFICATIONS-HAWTHORNE PUMP STATION SHUTDOWNS".
4. HAVE ALL PIPING MEASURED, PRE-ASSEMBLED (WHERE POSSIBLE), AND ALL POSSIBLE PREP WORK COMPLETED PRIOR TO PUMP STATION SHUTDOWNS AND PIPING DISASSEMBLY.
5. DURING INSPECTION, WATER SEEPAGE WITHIN THE HAWTHORNE VALVE CHAMBER WAS OBSERVED THROUGH CRACKS AND HOLES WITHIN THE FLOOR SLAB. THE CONTRACTOR SHOULD BE AWARE THAT PUMPING MAY BE REQUIRED TO KEEP THE EXCAVATION AND CHAMBER WORKS FREE OF WATER THROUGHOUT CONSTRUCTION.

KEYNOTES:

1. DEMOLISH DN350 WALL PIECE FROM THE NORTH CHAMBER WALL. CAP REMAINING PIPE OUTSIDE CHAMBER AND ABANDON IN PLACE. MAKE GOOD WALL PENETRATION - REFER TO STRUCTURAL DRAWING S02 FOR DETAILS.
2. DEMOLISH EXISTING DN350 KNIFE GATE VALVE, STEM EXTENSION AND VALVE BOX. TURN OVER TO CITY IF REQUESTED.
3. DEMOLISH EXISTING DN350 TEE.
4. TEMPORARY THRUST RESTRAINTS TO BE INSTALLED PRIOR TO DEMOLITION OF THE EXISTING SOUTH CHAMBER WALL. TEMPORARY RESTRAINTS MAY BE REMOVED AFTER THE NEW DN350 TEE IS INSTALLED IN THE 180° ROTATED POSITION. REFER TO DRAWING M202.
5. PARTIAL DEMOLITION OF THE EXISTING CONCRETE WALL AND THRUST BLOCK, REFER TO STRUCTURAL DRAWING S02.
6. NEW CHAMBER EXTENSION, REFER TO STRUCTURAL DRAWING S02.
7. DEMOLISH EXISTING DN350x250 ECCENTRIC REDUCER.
8. DEMOLISH EXISTING VICTAULIC STYLE 341 FLANGE ADAPTER.

LEGEND	
	EXISTING PIPE/VALVES/EQUIPMENT TO REMAIN
	EXISTING PIPING/VALVES TO BE REMOVED OR MODIFIED



ISSUED FOR TENDER
NOT TO BE USED FOR CONSTRUCTION

FOR INDEX PAGE
SEE DWG
1-0221S-D0007-001

LOCATION APPROVED UNDERGROUND STRUCTURES	
SUPV. U/G STRUCTURES COMMITTEE	DATE
NOTE:	LOCATION OF UNDERGROUND STRUCTURES AS SHOWN ARE BASED ON THE BEST INFORMATION AVAILABLE BUT NO GUARANTEE IS GIVEN THAT ALL EXISTING UTILITIES ARE SHOWN OR THAT THE GIVEN LOCATIONS ARE EXACT. CONFIRMATION OF EXISTENCE AND EXACT LOCATION OF ALL SERVICES MUST BE OBTAINED FROM THE INDIVIDUAL UTILITIES BEFORE PROCEEDING WITH CONSTRUCTION.

B.M. ELEV.	
NO.	REVISIONS
0	ISSUED FOR TENDER 2023 03 14 RBO
1	2023 03 13

DESIGNED BY	BP	CHECKED BY	KOR
DRAWN BY	GEL	APPROVED BY	KOR
SCALE:	HORIZONTAL AS NOTED	RELEASED FOR CONSTRUCTION	
	VERTICAL NA	DATE	2023 03 13
PLOT DATE:		2023 03 13	

ENGINEER'S SEAL
PROVINCE OF MANITOBA
2023/03/13
K. D. RADTKE
Member
REGISTERED PROFESSIONAL ENGINEER
CONSULTANT DRAWING NUMBER
22-0107-021_M201

THE CITY OF WINNIPEG
WATER AND WASTE DEPARTMENT
ENGINEERING DIVISION
NEWTON FORCE MAIN
RIVER CROSSING REPLACEMENT
MECHANICAL - DEMOLITION
HAWTHORNE CHAMBER MODIFICATION
SHEET 10 OF 14
CITY DRAWING NUMBER
1-0221S-M0003-001

METRIC
WHOLE NUMBERS INDICATE MILLIMETRES
DECIMALIZED NUMBERS INDICATE METRES