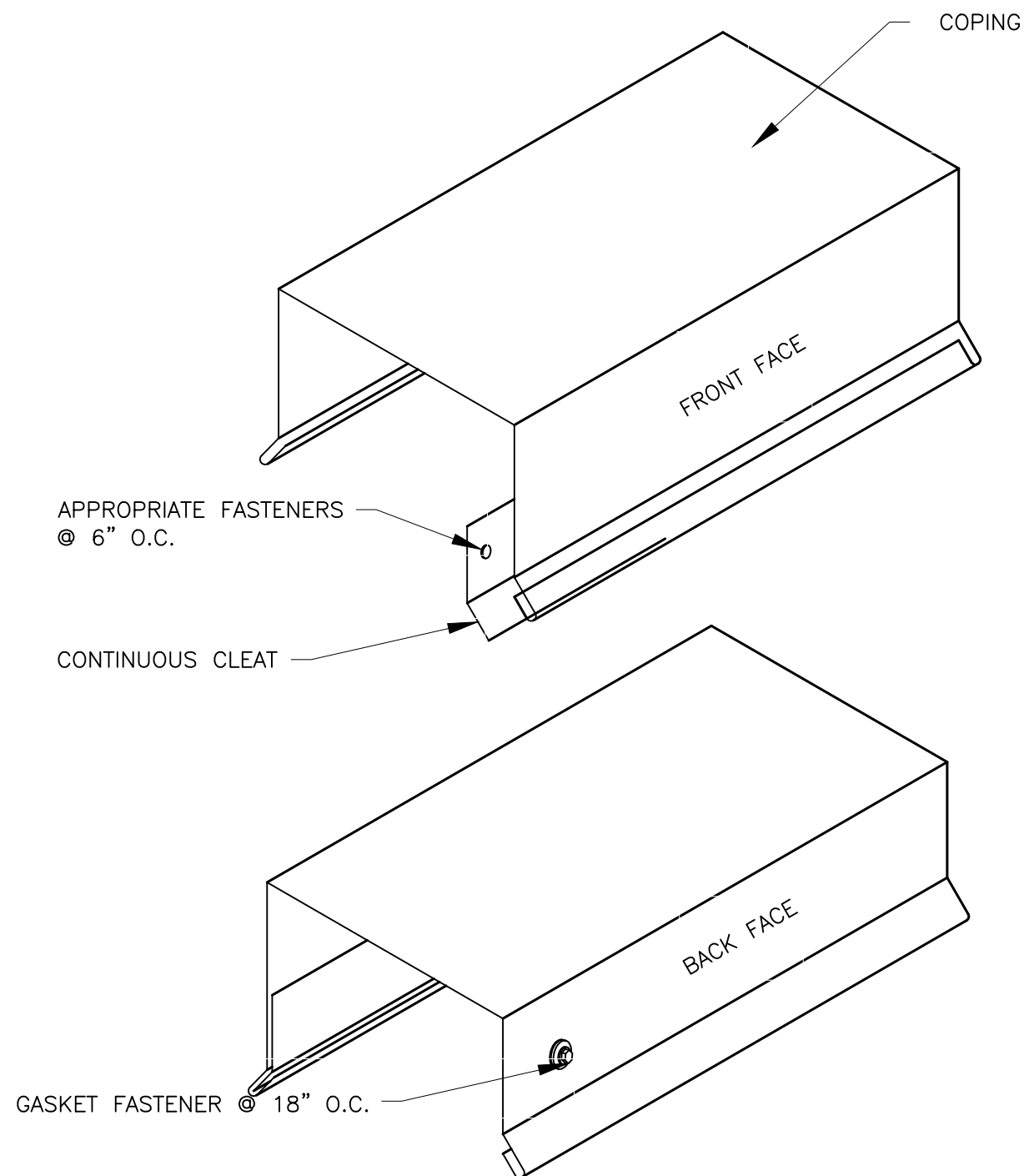




CONSTRUCTION NOTES:

1. ROOF MEMBRANE, ASSOCIATED FLASHINGS AND METAL JOINERY NOT SHOWN FOR CLARITY
2. CAP FLASHING TO SLOPE MINIMUM 5% INWARD TO ROOFING FROM OUTER EDGE



COPING WITH DRIP AND FRONT FACE CLEAT

THIS DRAWING MUST NOT BE SCALED. THE CONTRACTOR SHALL VERIFY ALL DIMENSIONS AND OTHER SITE CONDITIONS ON SITE PRIOR TO THE COMMENCEMENT OF WORK. DISCREPANCIES, ERRORS, OR OMISSIONS ARE TO BE REPORTED

PROJECT NAME: Robert Steen Community Centre Partial Roof Replacement	
ADDRESS: 980 PALMERSTON AVENUE, WINNIPEG, MB	
DRAWING: 877-2022_DRAWING_FLASHING-A7-R0	
DATE: NOV 2022	DRAWN BY: BH
PROJECT NUMBER: 877-2022	REVISION: R0
SCALE: AS NOTED	SHEET NO: A7

1 TYP. CAP FLASHING  
A7 SCALE: NTS