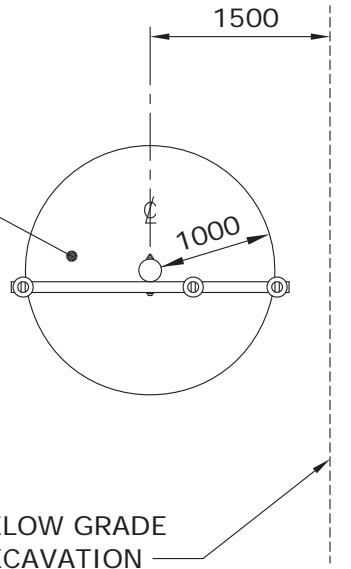


# **APPENDIX 'A'**

## **ALLOWABLE EXCAVATIONS AROUND MANITOBA HYDRO POLES**

FOR CHANGES IN GRADE,  
THE MINIMUM AMOUNT OF  
UNDISTURBED EARTH TO BE  
LEFT ALL AROUND POLES  
SHALL BE 1000mm

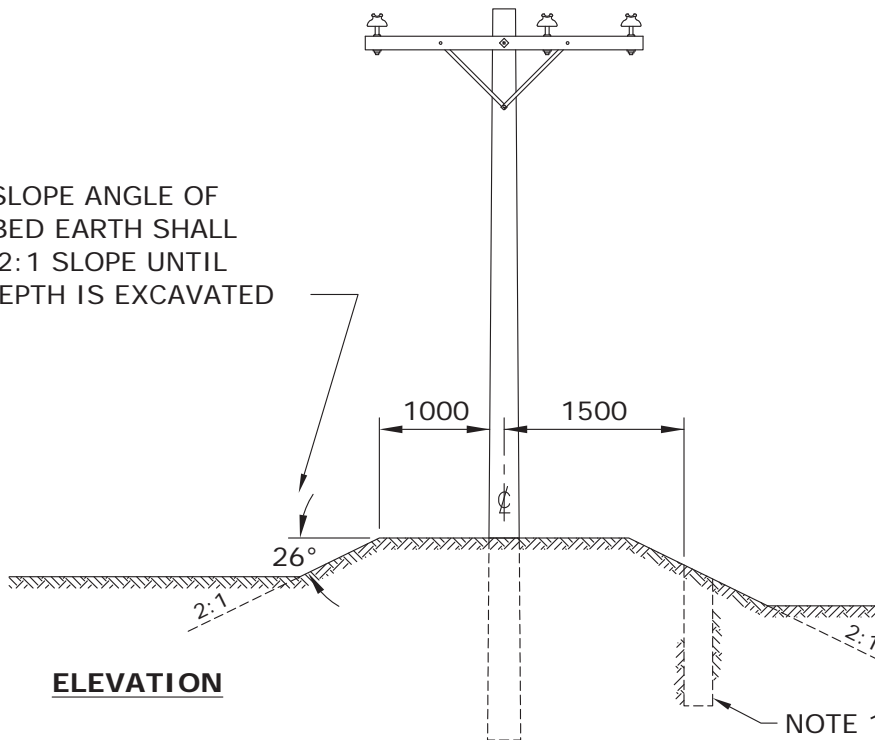


**PLAN**

BELOW GRADE  
EXCAVATION

**NOTE:**  
DIMENSIONS SHOWN  
ARE MILLIMETRES.

MAXIMUM SLOPE ANGLE OF  
UNDISTURBED EARTH SHALL  
BE 26° OR 2:1 SLOPE UNTIL  
DESIRED DEPTH IS EXCAVATED



**ELEVATION**

NOTE 1

**NOTE:**

1. THE MINIMUM SEPARATION (TO ANY SIDE OF A POLE) FOR EXCAVATIONS DEEPER THAN 500mm WITHOUT REGIONAL ENGINEERING INVOLVEMENT SHALL BE 1500mm, EXCAVATIONS TO BE BACKFILLED & TAMPED TO MAINTAIN SLOPE.

APPROVED		REVISIONS		MANITOBA HYDRO DISTRIBUTION STANDARDS		
ORIGINAL DRAWING SEALED BY E.H. WIEBE 94-07-11				<b>ALLOWABLE EXCAVATIONS AROUND EXISTING POLES</b>		
		06-02	2			REVISED SLOPE & ADDED MORE EXPLANATION TO NOTES
		95-04	1			MINIMUM SEPARATION ADDED
DRAWN W.B./CAD	CHECKED D.F.	DATE 93-03		<b>CD 30-55</b>		
				SHT 0001 OF 1	REV 02	