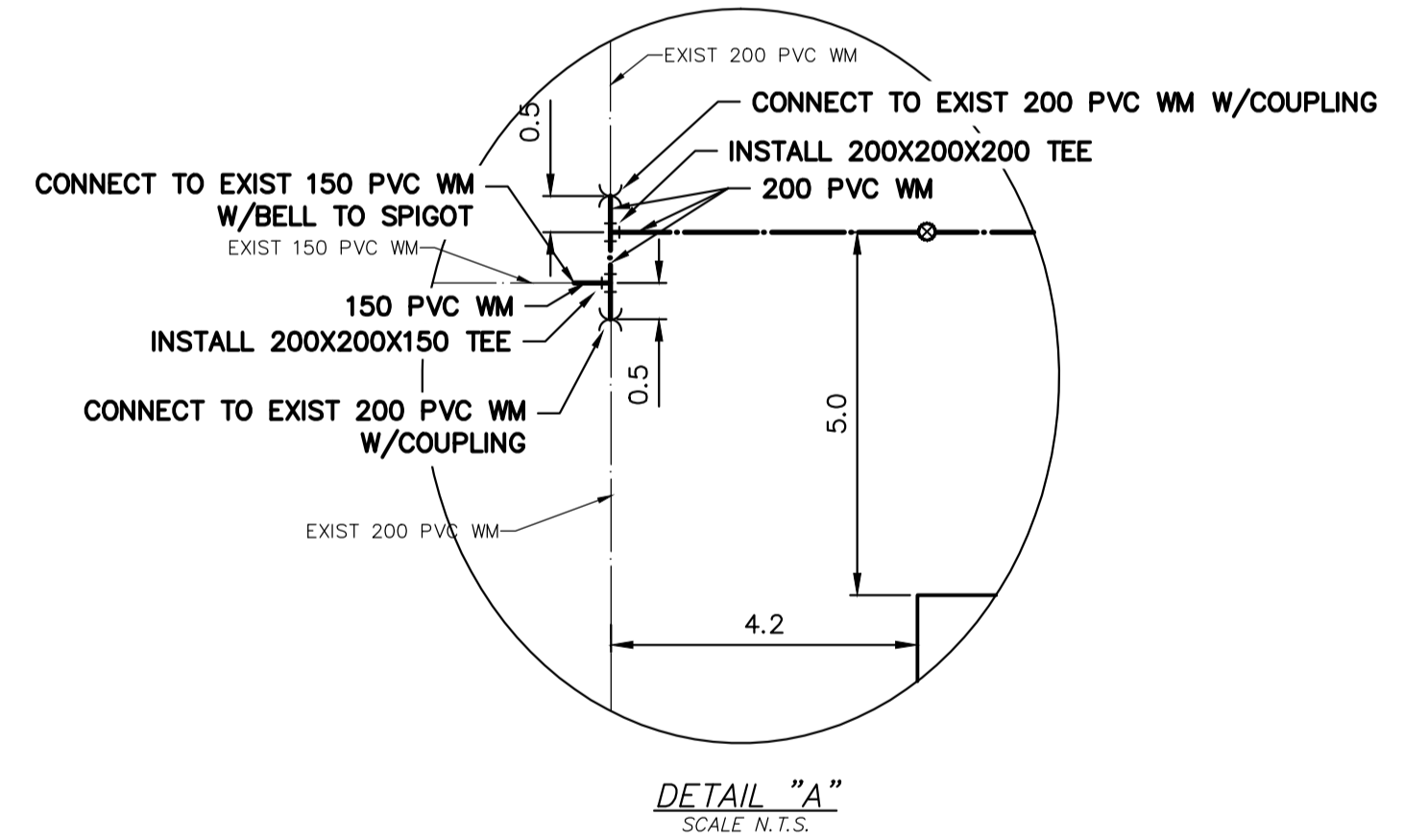


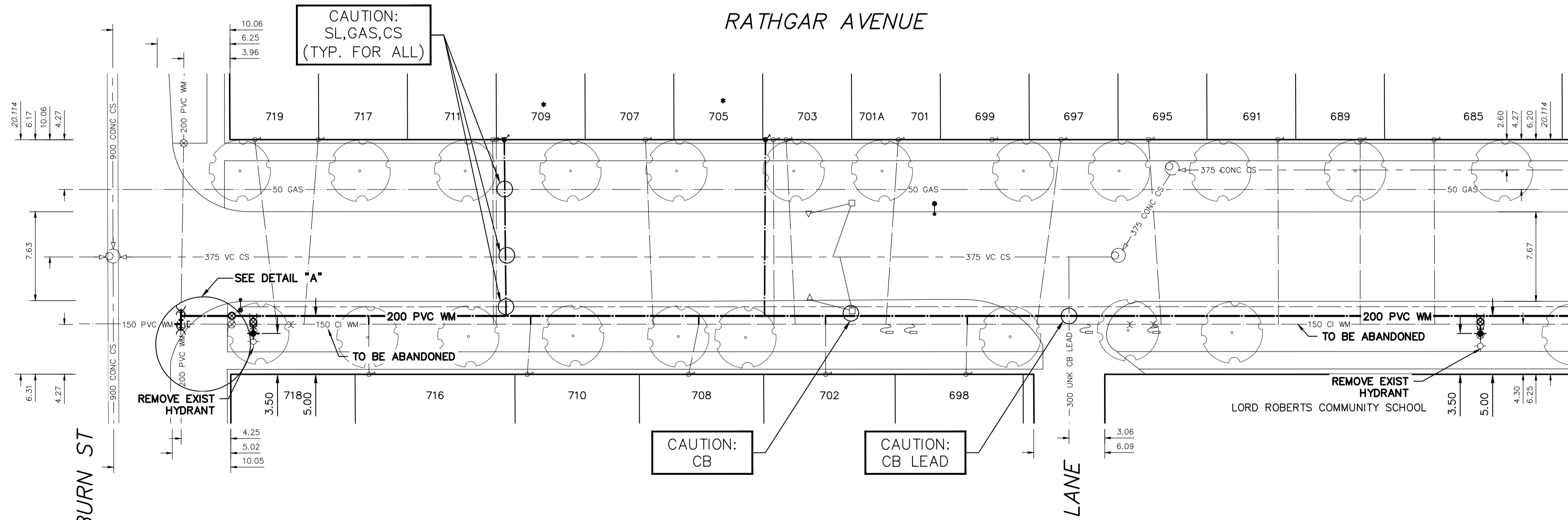
WATER SERVICE INFORMATION					
ADDRESS	SIZE (mm)	SIZE (mm)	SHORT & LONG MEASUREMENT	CORP LOCATION	REMARKS
685 RATHGAR AVE	20	20	1.65 EW HSE	OPP OF S/C	RECONNECT SERVICE
RESIDENTIAL	CU	CU	103.328 EEL COCKBURN ST		
689 RATHGAR AVE	20	20	1.02 WEL HSE	OPP OF S/C	RECONNECT SERVICE
RESIDENTIAL	CU	CU	96.983 EEL COCKBURN ST		
691 RATHGAR AVE	20	20	0.78 WEL HSE	OPP OF S/C	RECONNECT SERVICE
RESIDENTIAL	CU	CU	89.916 EEL COCKBURN ST		
695 RATHGAR AVE	20	20	3.97 WEL HSE	1.1 E OF S/C	RECONNECT SERVICE
RESIDENTIAL	CU	CU	78.817 EEL COCKBURN ST		
697 RATHGAR AVE	20	20	4.20 WEL HSE	2.1 W OF S/C	RECONNECT SERVICE
RESIDENTIAL	CU	CU	71.324 EEL COCKBURN ST		
698 RATHGAR AVE	20	20	2.85 WEL HSE	0.1 E OF S/C	RECONNECT SERVICE
RESIDENTIAL	CU	CU	63.094 EEL COCKBURN ST		
699 RATHGAR AVE	12	12	0.99 WEL HSE		RECONNECT SERVICE
RESIDENTIAL	LEAD	LEAD	65.396 EEL COCKBURN ST		
701 RATHGAR AVE	20	20	2.16 WEL HSE	1.1 E OF S/C	RECONNECT SERVICE
RESIDENTIAL	CU	CU	57.352 EEL COCKBURN ST		
701A RATHGAR AVE	20	20	2.16 WEL HSE	1.1 E OF S/C	RECONNECT SERVICE
RESIDENTIAL	CU	CU	57.352 EEL COCKBURN ST		
702 RATHGAR AVE	20	20	4.82 WEL HSE	OPP OF S/C	RECONNECT SERVICE
RESIDENTIAL	CU	LEAD	51.054 EEL COCKBURN ST		
703 RATHGAR AVE	20	20	1.60 EW HSE	0.8 E OF S/C	RECONNECT SERVICE
RESIDENTIAL	CU	CU	47.730 EEL COCKBURN ST		
705 RATHGAR AVE	12	12	2.47 EEL HSE	OPP OF S/C	RENEW TO R W/20 CU
RESIDENTIAL	LEAD	LEAD	46.635 EEL COCKBURN ST		
707 RATHGAR AVE	20	12	0.80 WEL HSE	0.7 E OF S/C	RECONNECT SERVICE
RESIDENTIAL	CU	LEAD	35.662 EEL COCKBURN ST		
708 RATHGAR AVE	20	20	3.35 EW HSE	0.9 E OF S/C	RECONNECT SERVICE
RESIDENTIAL	CU	CU	39.299 EEL COCKBURN ST		
709 RATHGAR AVE	16	16	0.39 WEL HSE	OPP OF S/C	RENEW TO R W/20 CU
RESIDENTIAL	LEAD	LEAD	22.859 EEL COCKBURN ST		
710 RATHGAR AVE	20	20	0.55 WEL HSE	0.3 E OF S/C	RECONNECT SERVICE
RESIDENTIAL	CU	CU	25.451 EEL COCKBURN ST		
711 RATHGAR AVE	20	12	0.50 WEL HSE	OPP OF S/C	RECONNECT SERVICE
RESIDENTIAL	CU	LEAD	22.555 EEL COCKBURN ST		
716 RATHGAR AVE	20	20	0.76 EW HSE	OPP OF S/C	RECONNECT SERVICE
RESIDENTIAL	CU	CU	11.868 EEL COCKBURN ST		
717 RATHGAR AVE	20	12	0.27 WEL HSE	1.2 W OF S/C	RECONNECT SERVICE
RESIDENTIAL	CU	LEAD	7.575 EEL COCKBURN ST		
718 RATHGAR AVE	20	20	1.00 NSL HSE	OPP OF S/C	OUTSIDE LIMITS
RESIDENTIAL	CU	CU	18.000 SSL RATHGAR AVE		SERVICED OF COCKBURN ST
719 RATHGAR AVE	20	20	1.48 EW HSE	1.9 E OF S/C	RECONNECT SERVICE
RESIDENTIAL	CU	CU	2.314 EEL COCKBURN ST		

\* SERVICES TO BE RENEWED TO R. ALL OTHERS TO BE RECONNECTED

NOTE: CHAINAGES SHOWN ARE ALONG S R OF RATHGAR AVENUE

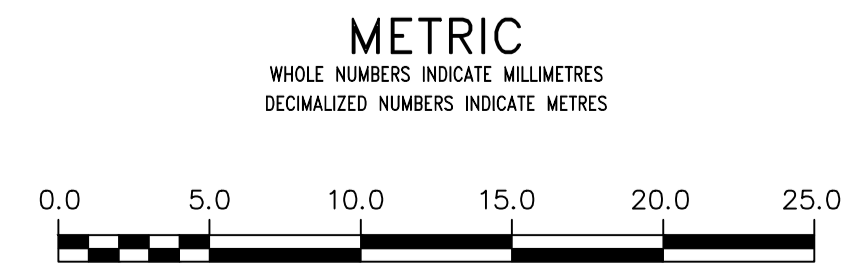


MATCHLINE 2+15.00  
SEE DWG D-16511



FOR INDEX SEE D-16501

NOTE: ALL VALVES TO BE INSTALLED COUNTERCLOCKWISE TO CLOSE

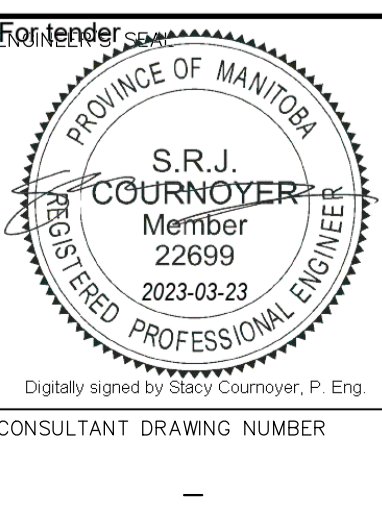


**WARNING**  
IF POWER EQUIPMENT OR EXPLOSIVES ARE TO BE USED FOR EXCAVATION ON THIS PROJECT THE CONTRACTOR MUST:  
1) NOTIFY THE GAS COMPANY OF THE PROPOSED LOCATION OF EXCAVATION.  
2) TAKE PRECAUTION TO AVOID DAMAGE TO GAS COMPANY INSTALLATIONS.  
SEE PROVINCIAL REGULATION 21072 FOR DETAILS

**LOCATION APPROVED UNDERGROUND STRUCTURES**  
SUPV. U/G STRUCTURES COMMITTEE DATE  
NOTE:  
LOCATION OF UNDERGROUND STRUCTURES AS SHOWN ARE BASED ON THE BEST INFORMATION AVAILABLE BUT NO GUARANTEE IS GIVEN THAT ALL EXISTING UTILITIES ARE SHOWN OR THAT THE GIVEN LOCATIONS ARE EXACT. CONFIRMATION OF EXISTENCE AND EXACT LOCATION OF ALL UTILITIES MUST BE OBTAINED FROM THE INDIVIDUAL UTILITIES BEFORE PROCEEDING WITH CONSTRUCTION.

VERTICAL DATUM: CGVD28 (HT2.0 Geoid)			
HORIZONTAL DATUM: NAD83 (June 1990), Zone 14			
NO.	REVISIONS	DATE	BY

DESIGNED BY	JB	CHECKED BY	SC
DRAWN BY	AOM	APPROVED BY	KZ
SCALE:		RELEASED FOR CONSTRUCTION	
HORIZONTAL	1:250		
VERTICAL	1:50		
DATE	2023 03 22	DATE	



**THE CITY OF WINNIPEG**  
WATER AND WASTE DEPARTMENT  
ENGINEERING DIVISION

2023 WATER MAIN RENEWALS  
CONTRACT 5  
**RATHGAR AVENUE**  
COCKBURN STREET TO  
115 E OF COCKBURN STREET

SHEET 11 OF 14  
CITY DRAWING NUMBER  
**D-16510**