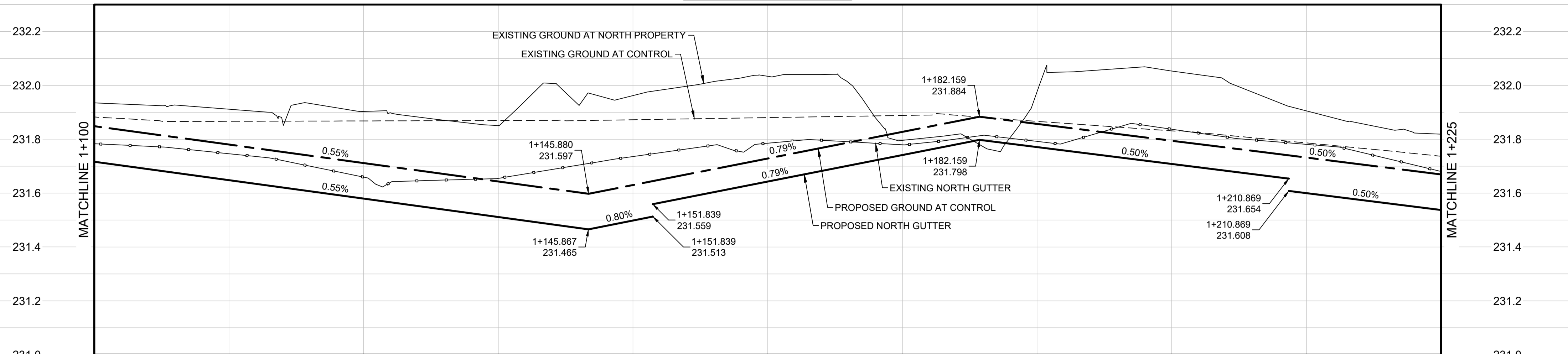
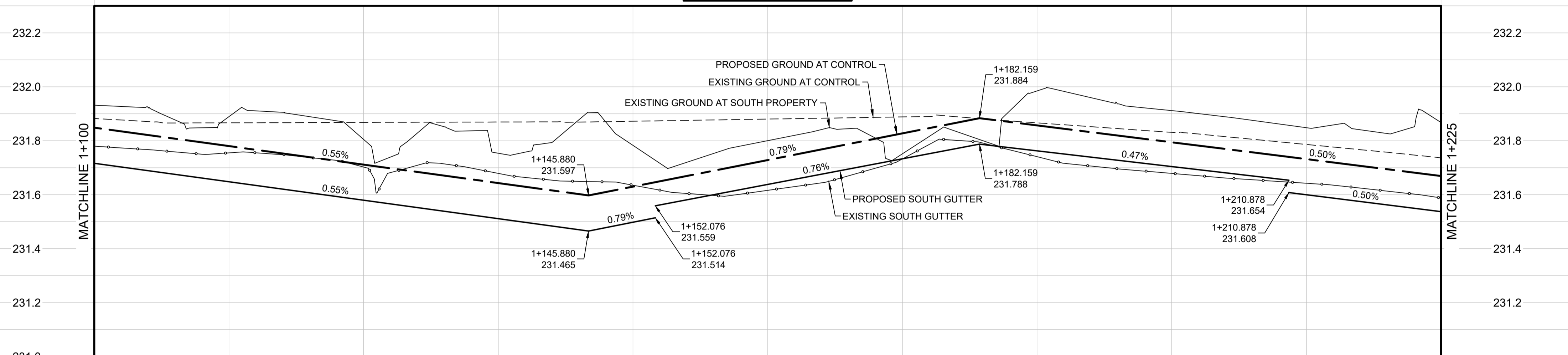


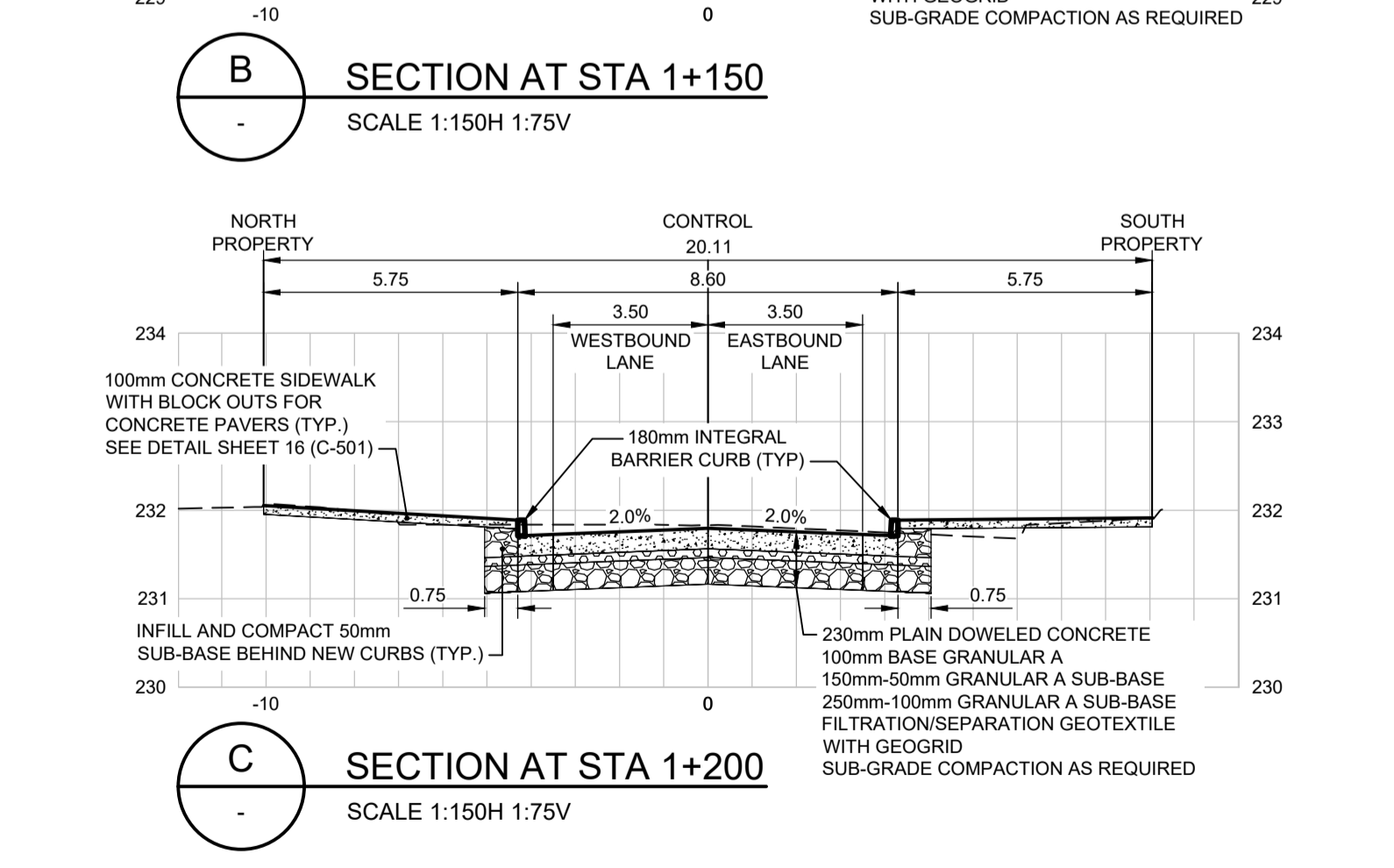
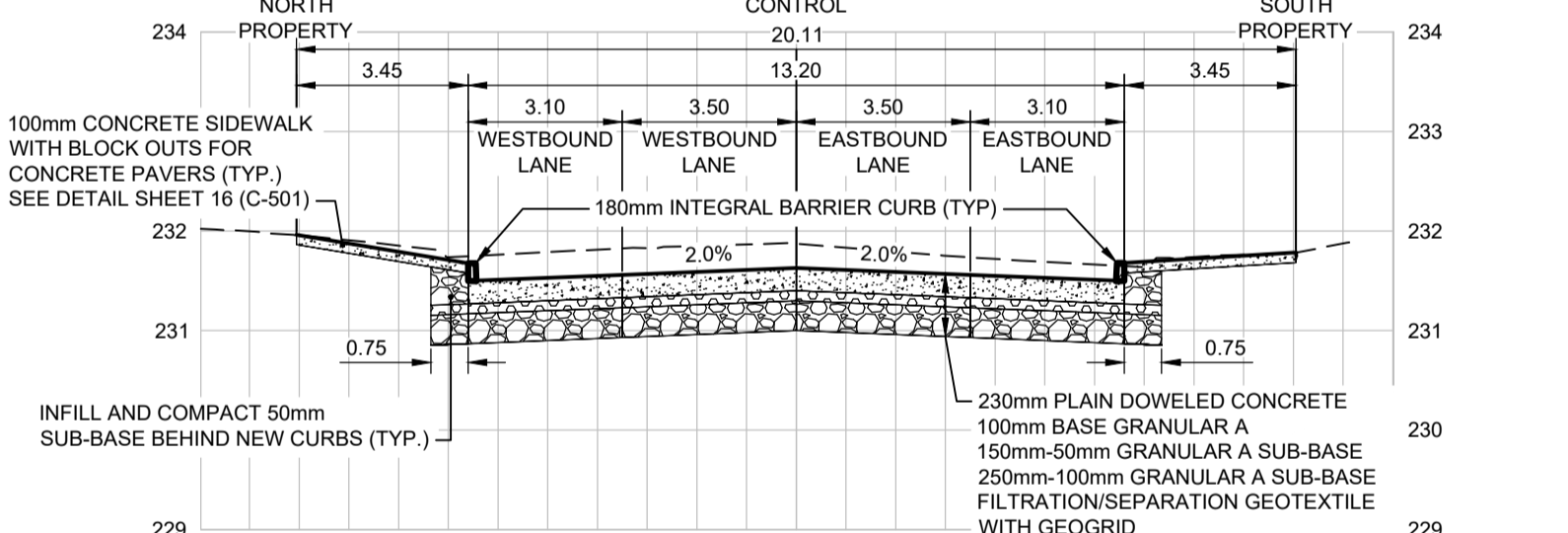
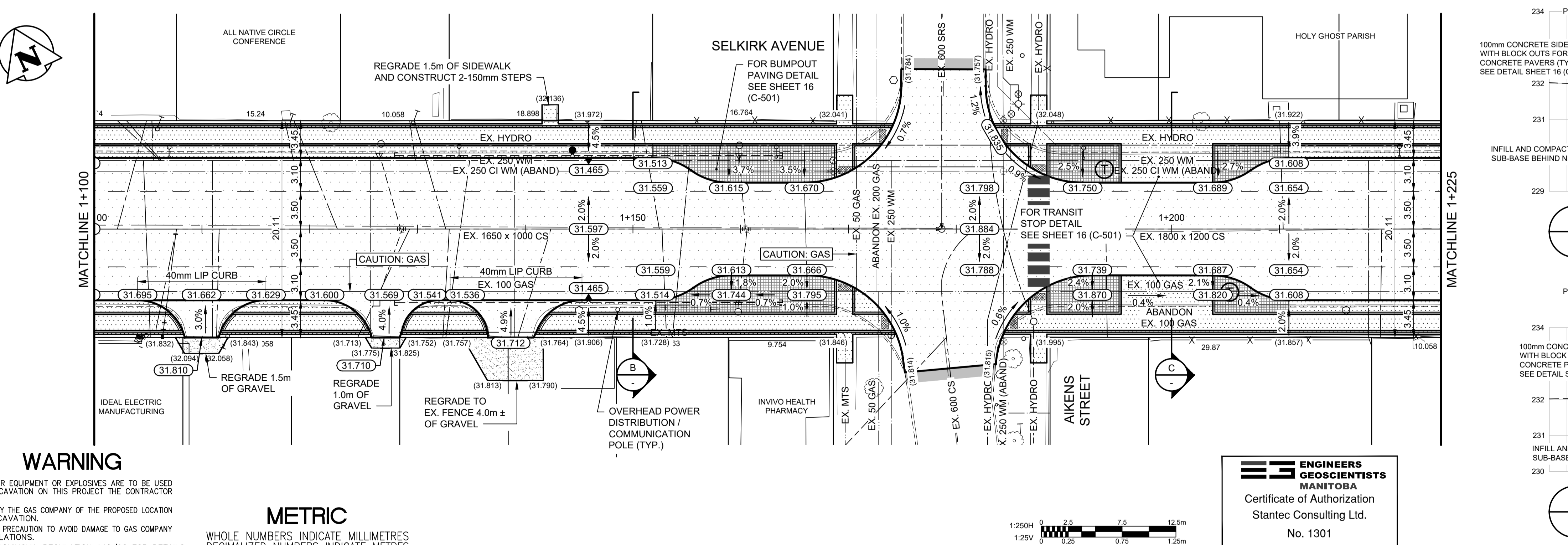
WESTBOUND LANES



EASTBOUND LANES



- NOTES:**
- ADJUST EXISTING MANHOLES AS REQUIRED.
 - ADJUST ALL AFFECTED EXISTING WATERMAIN AND WATER SERVICE VALVES TO GRADE.
 - FOR CATCHBASIN LEADS AND UNDERGROUND INFORMATION SHEETS SEE DWG U-101, U-102 AND U-103.
 - INSTALL 18.0m OF SUBDRAIN EACH SIDE OF LOW POINTS AND HIGH SIDE OF FLYBYS AS PER CITY OF WINNIPEG SPEC. SD-24 c/s CAPPED ENDS.
 - PRIVATE APPROACHES ARE 200mm REINFORCED CONCRETE WITH 100mm BASE COURSE, 225mm-50mm SUB-BASE AND NON-WOVEN GEOTEXTILE.
 - BULLNOSES, APPROACHES AND INTERSECTION RADII ARE TO BE INTEGRAL MODIFIED BARRIER CURB.
 - REMOVE AND SALVAGE ALL EXISTING BIKE RACKS AND RETURN TO SELKIRK AVENUE BIZ. LOCATION TO BE PROVIDED. INSTALL NEW BIKE RACKS AT LOCATIONS TO BE PROVIDED BY CONTRACT ADMINISTRATOR.
 - REMOVE AND REINSTALL ALL EXISTING GAS METER BOLLARDS.
 - ADJUST MANITOBA HYDRO MANHOLE FRAME AND COVER AT AIKENS STREET AS REQUIRED.



WARNING

IF POWER EQUIPMENT OR EXPLOSIVES ARE TO BE USED FOR EXCAVATION ON THIS PROJECT THE CONTRACTOR MUST:
 1) NOTIFY THE GAS COMPANY OF THE PROPOSED LOCATION OF EXCAVATION.
 2) TAKE PRECAUTION TO AVOID DAMAGE TO GAS COMPANY INSTALLATIONS.
 SEE PROVINCIAL REGULATION 140/92 FOR DETAILS

METRIC

WHOLE NUMBERS INDICATE MILLIMETRES
 DECIMALIZED NUMBERS INDICATE METRES

EXISTING	LEGEND-PLAN	PROPOSED	EXISTING	LEGEND-PLAN	PROPOSED	EXISTING	LEGEND-PROFILE	PROPOSED
150 WM	WATERMAIN	150 WM	HYDRO	HYDRO	HYDRO	---	PROFILE	---
300 LPS	LAND DRAINAGE SEWER	300 LPS	M.T.S.	M.T.S.	M.T.S.	---	NORTH OR WEST GUTTER	---
250 WWS	WASTE WATER SEWER	250 WWS	CONCRETE	CONCRETE	CONCRETE	---	SOUTH OR EAST GUTTER	---
MANHOLE	MANHOLE	MANHOLE	ASPHALT	ASPHALT	ASPHALT	---	NORTH MEDIAN GUTTER	---
CATCH BASIN	CATCH BASIN	CATCH BASIN	SIDEWALK	SIDEWALK	SIDEWALK	---	SOUTH MEDIAN GUTTER	---
CURB INLET/CATCH PIT	CURB INLET/CATCH PIT	CURB INLET/CATCH PIT	ASPHALT MILL & FILL	ASPHALT MILL & FILL	ASPHALT MILL & FILL	---	NORTH OR WEST P.L.	---
TRANSIT STOP	TRANSIT STOP	TRANSIT STOP	STREET LIGHT	STREET LIGHT	STREET LIGHT	---	SOUTH OR EAST P.L.	---
GAS	GAS	GAS	HYDRO POLE	HYDRO POLE	HYDRO POLE	---		
PROPERTY LINE	PROPERTY LINE	PROPERTY LINE	SURVEY BAR	SURVEY BAR	SURVEY BAR	---		
			ELEVATION	ELEVATION	ELEVATION	---		
			SIDEWALK RAMP	SIDEWALK RAMP	SIDEWALK RAMP	---		

LOCATION APPROVED UNDERGROUND STRUCTURES

SUPV. U/G STRUCTURES COMMITTEE DATE

NOTE:
 LOCATION OF UNDERGROUND STRUCTURES AS SHOWN ARE BASED ON THE BEST INFORMATION AVAILABLE BUT NO GUARANTEE IS GIVEN THAT ALL EXISTING UTILITIES ARE SHOWN OR THAT THE GIVEN LOCATIONS ARE EXACT. CONFIRMATION OF EXISTENCE AND EXACT LOCATION OF ALL SERVICES MUST BE OBTAINED FROM THE INDIVIDUAL UTILITIES BEFORE PROCEEDING WITH CONSTRUCTION.

NO.	REVISIONS	DATE	BY
0	ISSUED FOR TENDER	23.03.10	K.W.R.

ENGINEERS GEOSCIENTISTS MANITOBA
 Certificate of Authorization
 Stantec Consulting Ltd.
 No. 1301

Stantec
 500 - 311 Portage Avenue, Winnipeg M8 Canada R3B 2B9
 Tel. 204.489.5900 Fax. 204.453.9012 www.stantec.com

DESIGNED BY: K.W.R. CHECKED BY: J.D.
 DRAWN BY: A.M. APPROVED BY: K.W.R.
 HOR. SCALE: 1:250 VERTICAL: 1:25
 RELEASED FOR CONSTRUCTION: DATE

PROVINCE OF MANITOBA
 K.W. RAE
 REGISTERED PROFESSIONAL ENGINEER
 2023-03-09
 CONSULTANT DRAWING NO. C-202

THE CITY OF WINNIPEG PUBLIC WORKS DEPARTMENT ENGINEERING DIVISION

2023 REGIONAL STREET RENEWAL PROGRAM
 SELKIRK AVENUE PAVEMENT RENEWALS
 SELKIRK AVENUE
 STA 1+100 TO STA 1+225
 PLAN / PROFILE ROADWORKS

SHEET 10 OF 17
 CAD FILE DRAWING NUMBER 08603c-201_12.dwg
 CITY DRAWING NUMBER P-3563-36

V:\1371\csh\1371\2023\0300_drawing\0302_sheel_files\02_civil\Vendor_2_Selkirk_08603c-201_12.dwg
 2023/03/09 1:51 PM B:\V\Address_Army