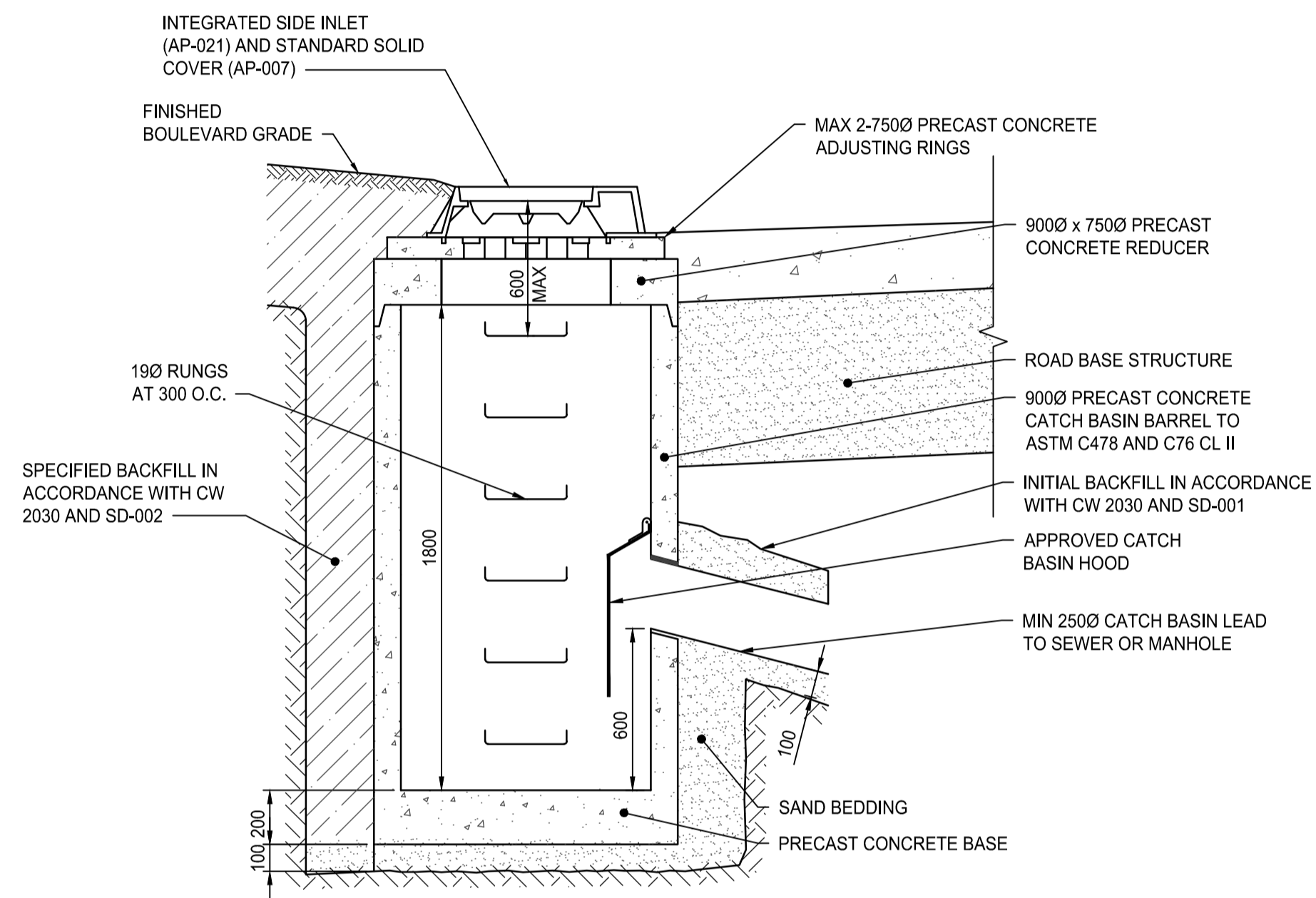


- NOTE:
- EACH CATCH BASIN TO HAVE SEPARATE CONNECTION TO SEWER OR MANHOLE
  - USE PREFORMED BITUMINOUS GASKET BETWEEN REDUCER AND BARREL SECTION

**STANDARD PRECAST CONCRETE CATCH BASIN**



**A SECTION**  
U-501 N.T.S.

**WARNING**

IF POWER EQUIPMENT OR EXPLOSIVES ARE TO BE USED FOR EXCAVATION ON THIS PROJECT THE CONTRACTOR MUST:

- NOTIFY THE GAS COMPANY OF THE PROPOSED LOCATION OF EXCAVATION.
  - TAKE PRECAUTION TO AVOID DAMAGE TO GAS COMPANY INSTALLATIONS.
- SEE PROVINCIAL REGULATION 140/92 FOR DETAILS

**METRIC**

WHOLE NUMBERS INDICATE MILLIMETRES  
DECIMALIZED NUMBERS INDICATE METRES

**ENGINEERS GEOSCIENTISTS MANITOBA**  
Certificate of Authorization  
Stantec Consulting Ltd.  
No. 1301

EXISTING	LEGEND-PLAN	PROPOSED	EXISTING	LEGEND-PLAN	PROPOSED	EXISTING	LEGEND-PROFILE	PROPOSED
150 WM	WATERMAIN	150 WM	HYDRO	HYDRO	HYDRO			
HYDRANT	HYDRANT	M.T.S.	M.T.S.	M.T.S.				
VALVE	VALVE	CONCRETE	CONCRETE	CONCRETE				
300 LDS	LAND DRAINAGE SEWER	300 LDS	ASPHALT	ASPHALT				
250 WWS	WASTE WATER SEWER	250 WWS	SIDEWALK	SIDEWALK				
MANHOLE	MANHOLE	ASPHALT MILL & FILL	ASPHALT MILL & FILL	ASPHALT MILL & FILL				
CATCH BASIN	CATCH BASIN	STREET LIGHT	STREET LIGHT	STREET LIGHT				
CURB INLET/CATCH PIT	CURB INLET/CATCH PIT	HYDRO POLE	HYDRO POLE	HYDRO POLE				
TRANSIT STOP	TRANSIT STOP	SURVEY BAR	SURVEY BAR	SURVEY BAR				
GAS	GAS	ELEVATION	ELEVATION	ELEVATION				
PROPERTY LINE	PROPERTY LINE	SIDEWALK RAMP	SIDEWALK RAMP	SIDEWALK RAMP				

**LOCATION APPROVED UNDERGROUND STRUCTURES**

SUPV. U/G STRUCTURES COMMITTEE DATE

NOTE:  
LOCATION OF UNDERGROUND STRUCTURES AS SHOWN ARE BASED ON THE BEST INFORMATION AVAILABLE BUT NO GUARANTEE IS GIVEN THAT ALL EXISTING UTILITIES ARE SHOWN OR THAT THE GIVEN LOCATIONS ARE EXACT. CONFIRMATION OF EXISTENCE AND EXACT LOCATION OF ALL SERVICES MUST BE OBTAINED FROM THE INDIVIDUAL UTILITIES BEFORE PROCEEDING WITH CONSTRUCTION.

NO.	REVISIONS	YY.MM.DD.	BY	DATE	2023.03.10	R.S.
0	ISSUED FOR TENDER	23.03.10				

**Stantec**  
500 - 311 Portage Avenue, Winnipeg M8 Canada R3B 2B9  
Tel. 204.489.5900 Fax. 204.453.9012 www.stantec.com

DESIGNED BY	R.S.	CHECKED BY	
DRAWN BY	S.C.	APPROVED BY	
HOR. SCALE:	1:250	RELEASED FOR CONSTRUCTION:	
VERTICAL:		DATE	2023.03.10

ENGINEER'S SEAL  
CONSULTANT DRAWING NO.  
U-501

**THE CITY OF WINNIPEG**  
PUBLIC WORKS DEPARTMENT  
ENGINEERING DIVISION

2023 REGIONAL STREET RENEWAL PROGRAM  
SELKIRK AVENUE PAVEMENT RENEWALS  
CATCH BASIN DETAILS  
UNDERGROUND INFRASTRUCTURE

SHEET 17 OF 17  
CAD FILE DRAWING NUMBER 08603u-501\_12.dwg  
CITY DRAWING NUMBER P-3563-43

VA 1371.ecs.dwg 1:23786630.0000 drawing 0302 sheet files\02\_civil\tender\_2\_selirk\08603u-501\_12.dwg 2023/03/07 2023 PWS\B\address\_Arty