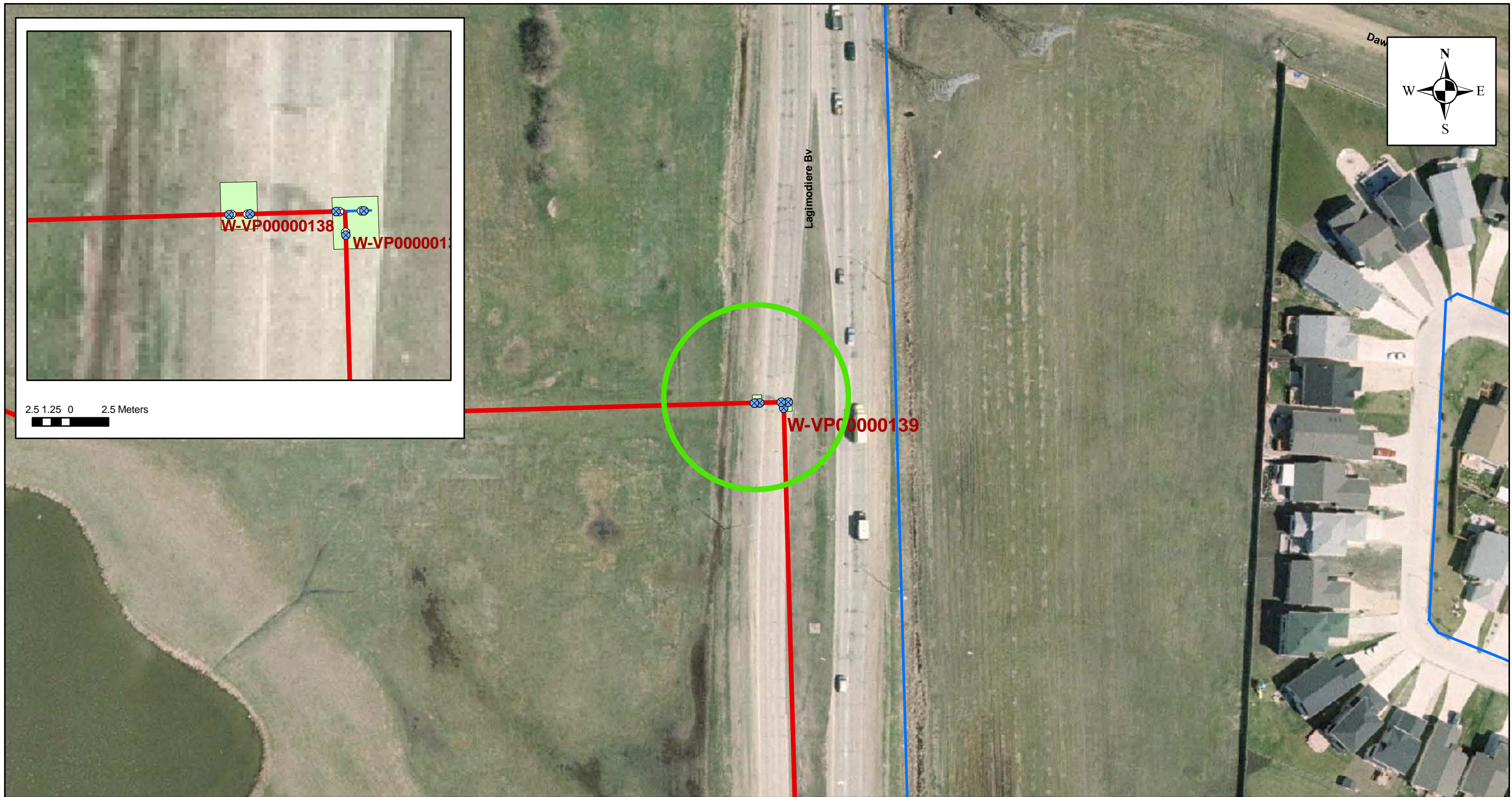
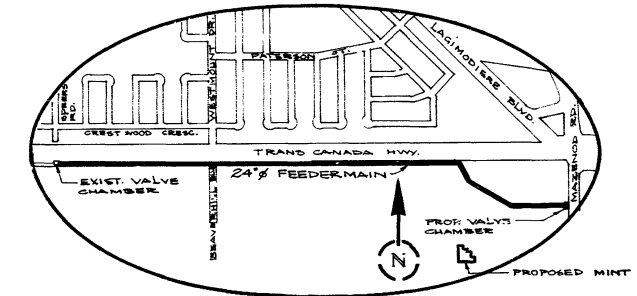
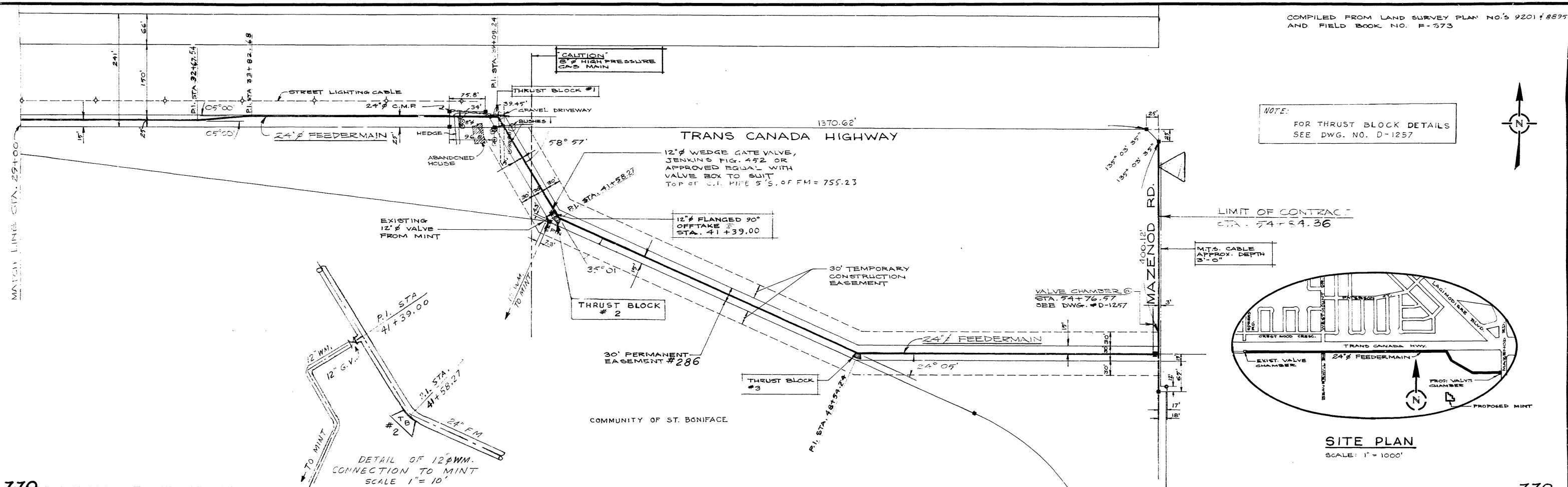


**APPENDIX 'A'**  
**RECORD DRAWINGS**

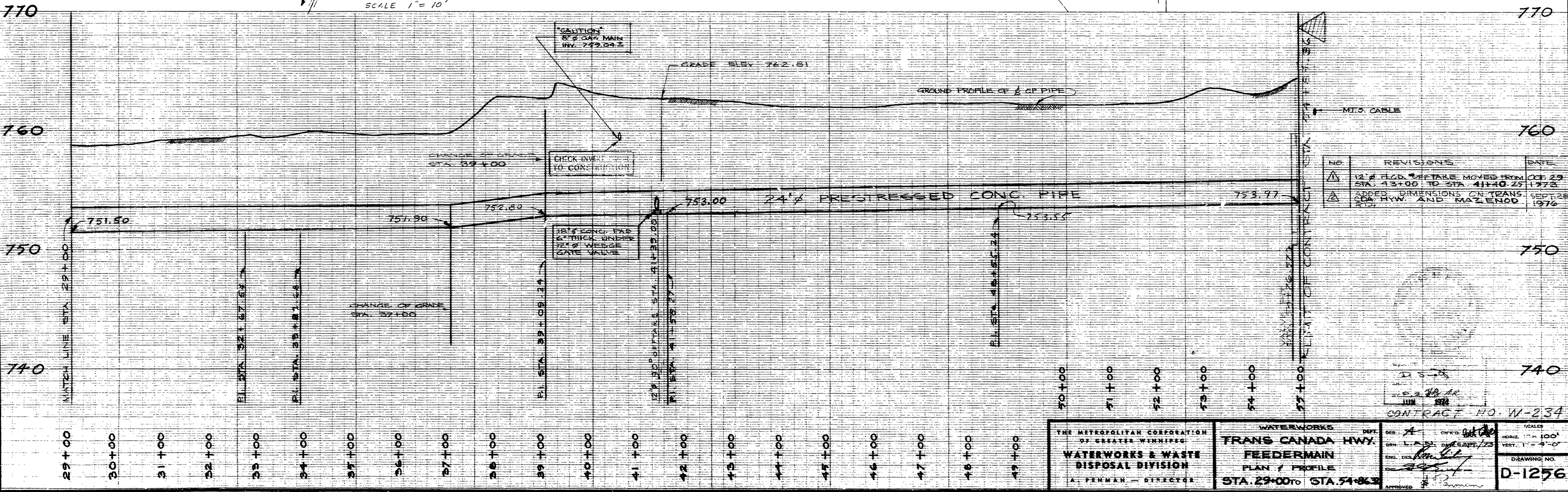


<b>Legend</b> ⊗ WATER_DRAIN_VALVE      ⊗ WATER_AIRVALVE      — WATER_MAIN ⊗ WATER_BLOWOFF_VALVE      wpg_roads      ■ WATER_VALVE_PIT — WATER_FEEDER_MAIN	<b>AECOM</b> PROJECT: CoW FEEDERMAIN VALVE CHAMBER CONDITION ASSESSMENT	DATE: <b>MAY 20, 2011</b>	
		SCALE: 0 12.5 25 50 75 100 Meters	PROJECT No.: <b>60163220</b>

NOTE:  
FOR THRUST BLOCK DETAILS  
SEE DWG. NO. D-1257



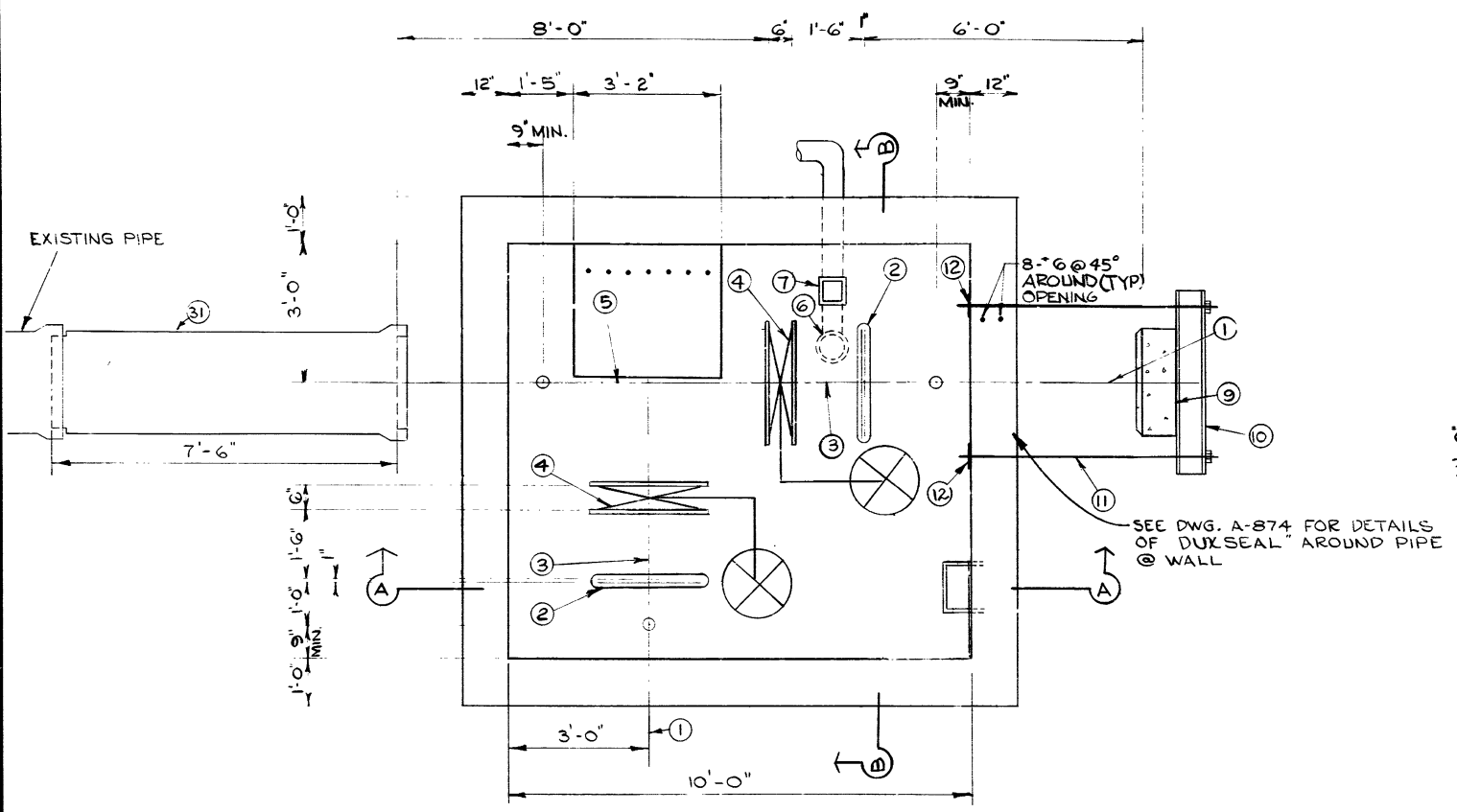
SITE PLAN  
SCALE: 1" = 100'



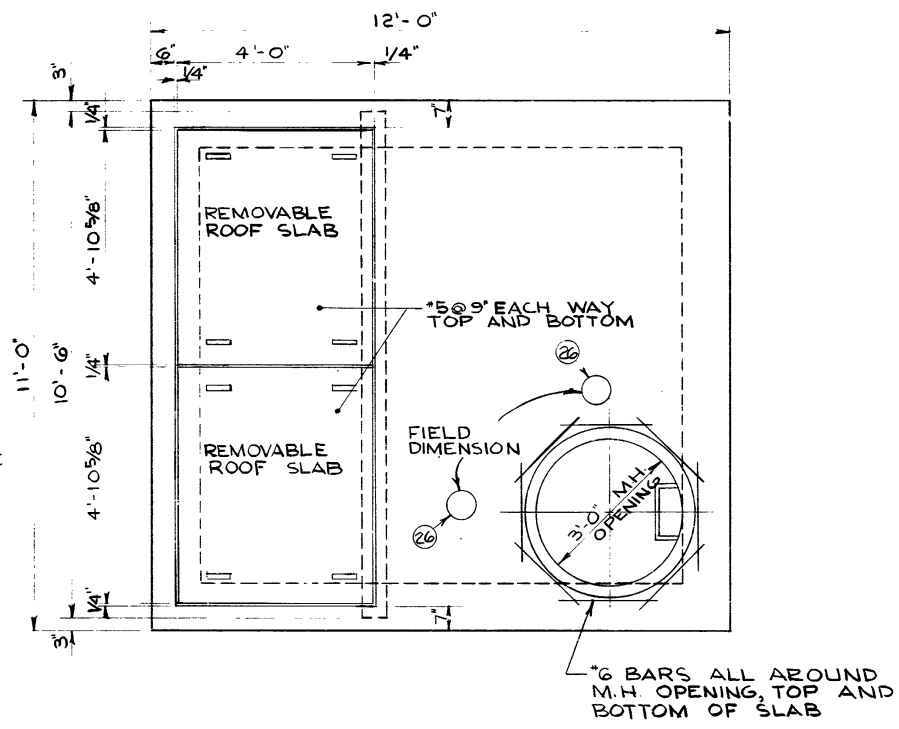
THE METROPOLITAN CORPORATION OF GREATER WINNIPEG <b>WATERWORKS &amp; WASTE                  DISPOSAL DIVISION</b> A. FERMAN - DIRECTOR	WATERWORKS <b>TRANS CANADA HWY.                  FEEDERMAIN</b> PLAN / PROFILE STA. 29+00 TO STA. 54+00	DES. BY: [Signature] CHK'D BY: [Signature] ENG. DES. [Signature] DATE: [Signature]	SCALES HORIZ. 1" = 100' VERT. 1" = 4'-0" DRAWING NO. <b>D-1256</b>
	CONTRACT NO. W-234		APPROVED: [Signature]



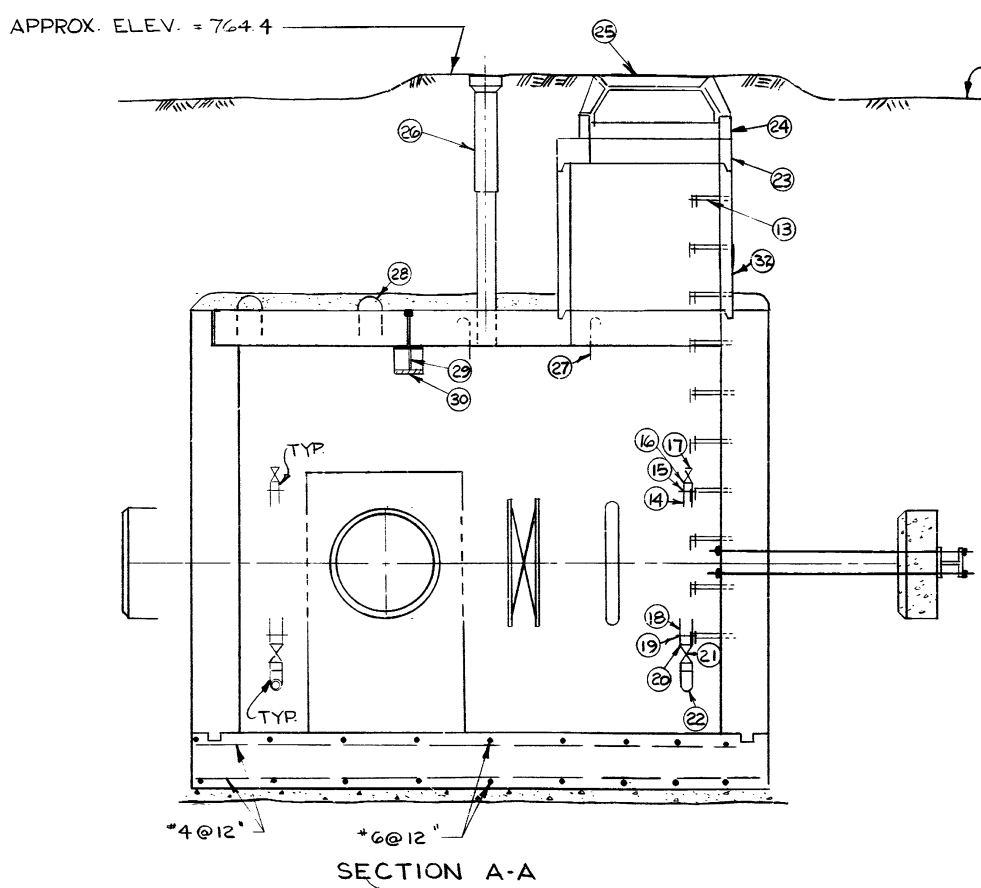




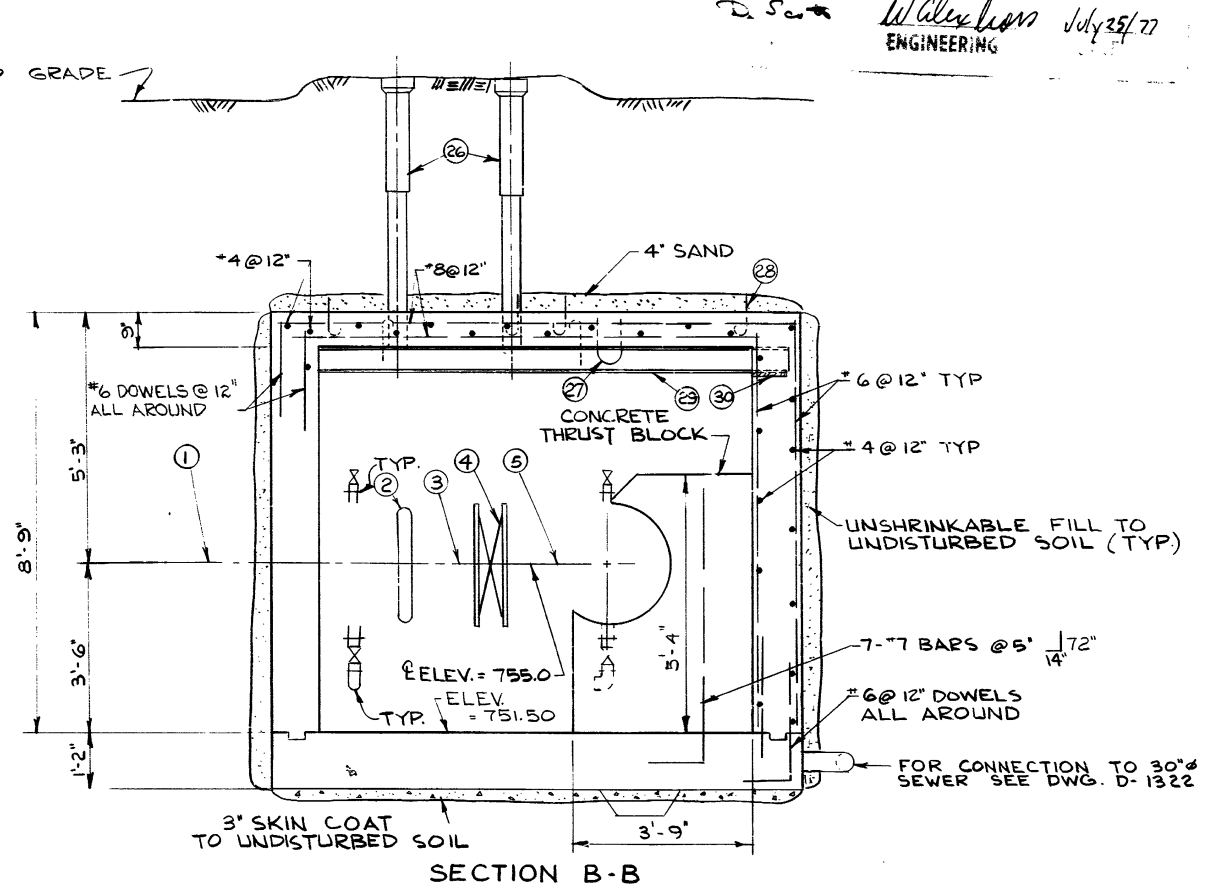
PLAN VIEW



ROOF PLAN



SECTION A-A



SECTION B-B

No.	DESCRIPTION	SIZE	QTY	REMARKS
1*	Concrete Pipe (Wall Piece 6'0" long)	24"Ø	2	
2*	Victaulic Coupling Style # 51	24"Ø	2	
3*	Concrete Pipe Adaptor	24"Ø	2	
4*	Butterfly Valve Wafer Style	24"Ø	2	
5*	Concrete Tee, Spigot to Flange to Flange (8'0" long)	24"Øx24"	1	
6	"P" Trap & Drain with Screw on Cover (CI)	4"	1	
7	Backwater Valve	4"	1	
8	C.I. Pipe (Spigot to Cell)	4"	1	
9*	Concrete Plug	24"	1	
10*	Steel Beam G-40, 12	W8x31	1	
11	Galvanized Bolts c/w Cadmium Plated Nuts & Washers	5/8"Øx4 1/2"	4	
12	Galvanized PLATE 12"x12"x1/2"		4	
13	Standard City of Winnipeg Manhole, Steps at 12" C-C		10	A-81
14	Steel Outlet - T-HEAD TO FLANGE	2"Øx6"	3	
15	Threaded Flange	2"Øx4"	3	
16	Bronze Nipple - Threaded	2"Øx4"	3	
17	Bronze Gate Valve - Threaded	2"Øx6"	3	
18	Steel Outlet - T-HEAD TO FLANGE	3"Øx6"	3	
19	Threaded Flange	3"Øx4"	3	
20	Bronze Nipple - Threaded	3"Øx4"	3	
21	Bronze Gate Valve - Threaded	3"Øx4"	3	
22	Elbow - Threaded & Galvanized (90°)	3"	3	
23	Precast concrete eccentric flat top reducer section (ASTM C76 Class II)	36" to 30"	1	
24	Maximum 2 rows concrete brick or 6" long percast section		1	
25	Standard City of Winnipeg Waterworks Manhole Frame and Solid Cover		1	A-796
26	Large adjustable valve box and Standard City of Winnipeg Waterworks Cover		2	
27	U-Bolt Hooks		4	A-877
28	Lifting Lugs (4 PER SLAB)		8	A-878
29	W6 x 20 steel beam (G 40, 12)		1	
30	Reaction Plate 9"x6"x3/8"		1	
31	PRESTRESSED CONCRETE PIPE (P.C.P. TO SPIGOT) 7'-6" LONG	24"Ø	1	
32	PRESTRESSED CONCRETE MANHOLE SECTIONS WITH "CANNEK" OR APPROVED EQUAL GASKET	36"Ø	1	

NOTES  
 WATERPROOFING TO BE APPLIED TO EXTERIOR WALLS  
 \* MATERIALS TO BE SUPPLIED BY CITY  
 ALL MATERIALS (FLANGES, VALVES, ETC.) SHALL BE MINIMUM 125 POUNDS

W. Alex. Jones July 25/77  
 ENGINEERING

Δ	DWG. NO. D-1328-A	SEPT.
	SUPERCEDES DWG. NO. D-1328	1/76

NO.	DESCRIPTION	DATE	BY
REVISIONS			
FIELD BOOK(S) NO.		SURVEYED BY	
LAND SURVEY PLAN(S) NO.		DATE	
B. M.			

The City of Winnipeg  
 Waterworks, Waste and Disposal Division

DEPARTMENT  
 ENGINEERING BRANCH  
 WATERWORKS

LAGIMODIERE BLVD. FEEDERMAIN  
 OFFTAKE CHAMBER  
 LAGIMODIERE BLVD. AND T.C.H.  
 STA. 49+34.15

DESIGNED BY W. Alex. Jones	DRAWN BY [Signature]
CHECKED BY [Signature]	DATE AUG. 1976
APPROVED BY [Signature]	
SCALE 1/2" = 1'-0"	DRAWING NO. D-1328-A