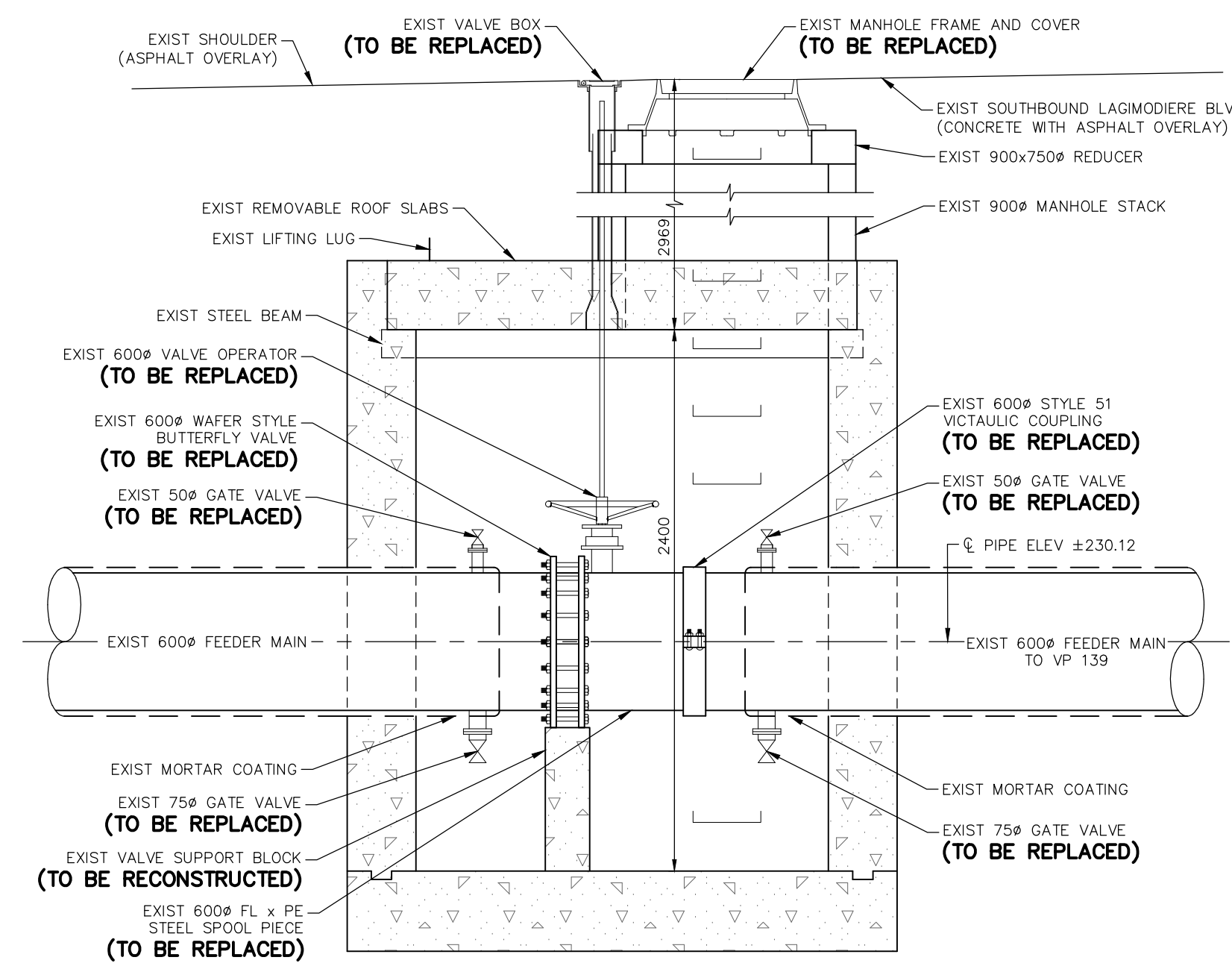
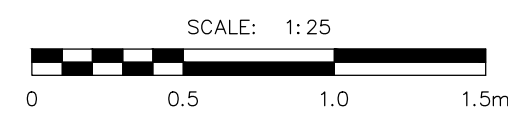
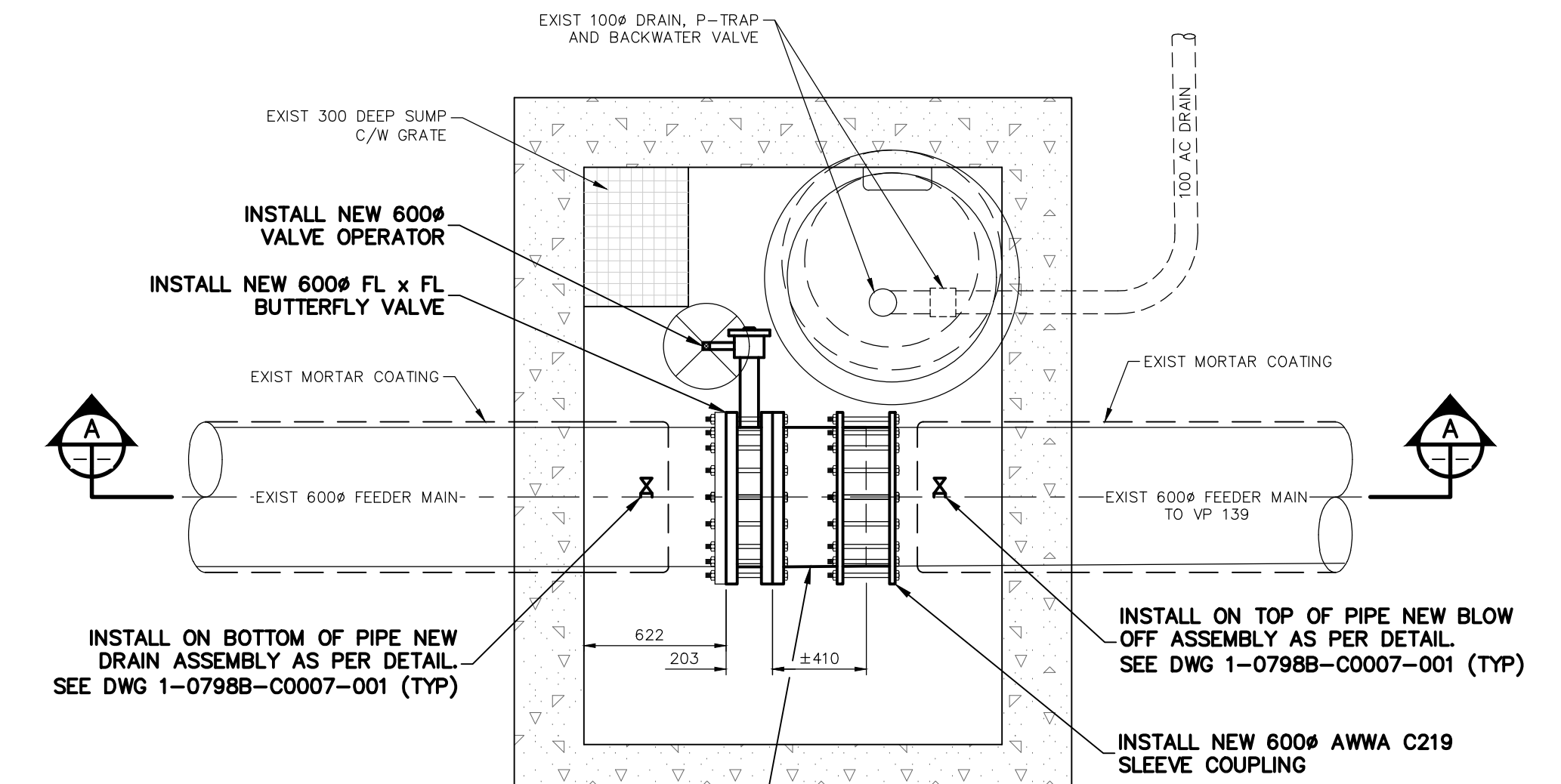
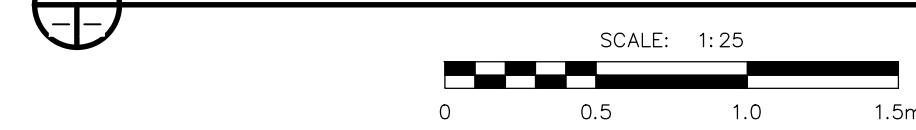


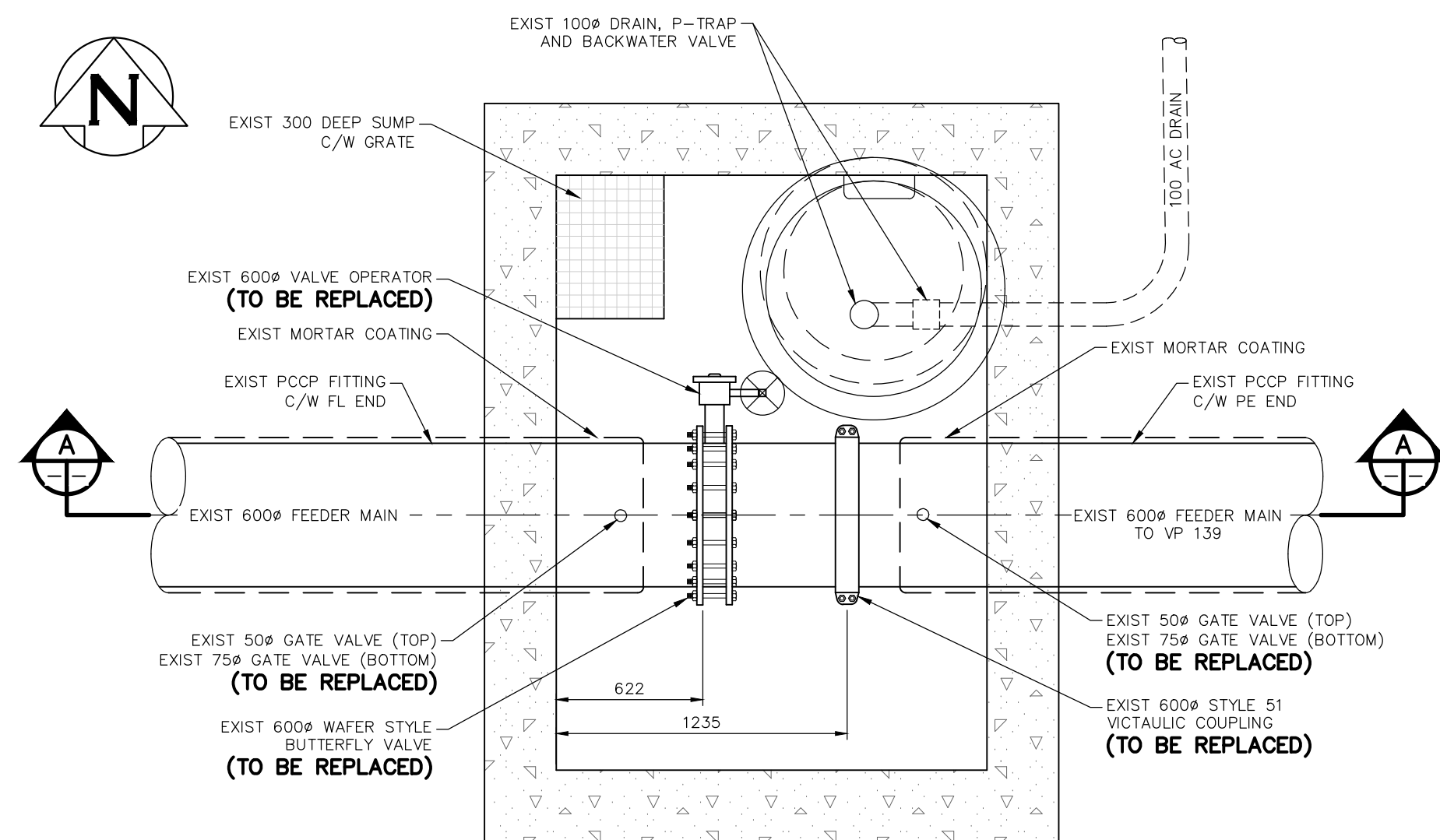
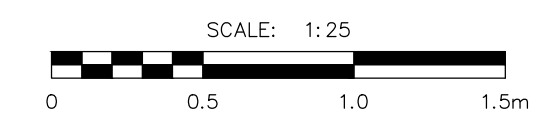
ROOF PLAN - VP 138



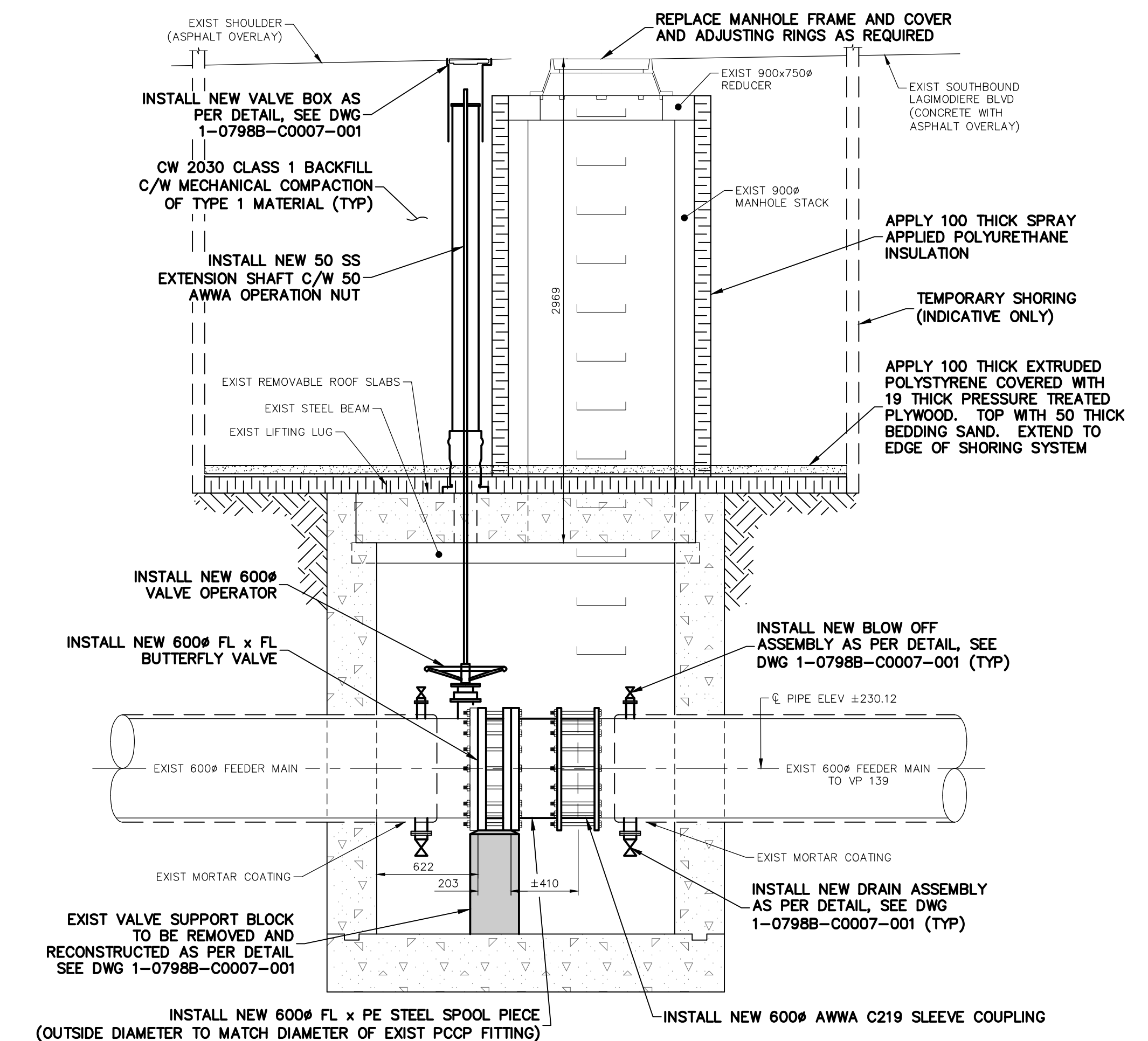
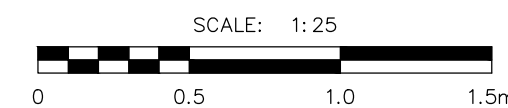
SECTION - VP 138 - EXISTING CONDITIONS



PLAN - VP 138 - PROPOSED CONDITIONS



PLAN - VP 138 - EXISTING CONDITIONS



SECTION - VP 138 - PROPOSED CONDITIONS



NOTES:

- CONTRACTOR TO CLEAN CHAMBERS.
- CLEAN AND INSPECT DRAINS. TELEWISE DRAIN TO WWS. REPLACE BACKWATER VALVE AND P-TRAP IF REQUIRED.
- SAND BLAST AND EPOXY COAT ALL EXPOSED STEEL SURFACES.
- CONTRACTOR TO VERIFY LOCATION AND CORE HOLE FOR NEW VALVE BOX AFTER INSTALLATION OF NEW VALVE.
- NEW 600mm FL x PE SPOOL PIECE TO BE MANUFACTURED WITH ADDITIONAL LENGTH AND TRIMMED TO FIT AFTER DISASSEMBLY.
- EXISTING MANHOLE STACKS MAY REMAIN IN PLACE OR REMOVED TO FACILITATE CONSTRUCTION. IF DISASSEMBLED, REASSEMBLE WITH EXISTING COMPONENTS (EXCEPT WHERE NOTED) C/W NEW GASKETS.
- CONTRACTOR TO CONFIRM DIMENSIONS PRIOR TO MANUFACTURE/PROCUREMENT OF PIPING COMPONENTS.
- CONTRACTOR TO HAVE ALL COMPONENTS ON SITE PRIOR TO DISASSEMBLY OF EXISTING PIPING.

NOTE: ALL VALVES TO BE INSTALLED CLOCKWISE TO CLOSE

FOR INDEX SEE 1-0798B-D0002-001



METRIC
WHOLE NUMBERS INDICATE MILLIMETRES
DECIMALIZED NUMBERS INDICATE METRES
UNLESS OTHERWISE NOTED

WARNING
IF POWER EQUIPMENT OR EXPLOSIVES ARE TO BE USED FOR EXCAVATION ON THIS PROJECT THE CONTRACTOR MUST:
1) NOTIFY THE GAS COMPANY OF THE PROPOSED LOCATION OF EXCAVATION.
2) TAKE PRECAUTION TO AVOID DAMAGE TO GAS COMPANY INSTALLATIONS.
SEE PROVINCIAL REGULATION 210/72 FOR DETAILS

LOCATION APPROVED
UNDERGROUND STRUCTURES
SUPV. U/G STRUCTURES COMMITTEE DATE
NOTE:
LOCATION OF UNDERGROUND STRUCTURES AS SHOWN ARE BASED ON THE BEST INFORMATION AVAILABLE BUT NO GUARANTEE IS GIVEN THAT ALL EXISTING UTILITIES ARE SHOWN OR THAT THE GIVEN LOCATIONS ARE EXACT. CONFIRMATION OF EXISTENCE AND EXACT LOCATION OF ALL SERVICES MUST BE OBTAINED FROM THE INDIVIDUAL UTILITIES BEFORE PROCEEDING WITH CONSTRUCTION.

VERTICAL DATUM: CGVD28 (HT2.0 Geoid)	
HORIZONTAL DATUM: NAD83 (June 1990), Zone 14	
DESIGNED BY	ADB
CHECKED BY	NJK
DRAWN BY	DML
APPROVED BY	ADB
SCALE:	HORIZONTAL: AS SHOWN VERTICAL: N/A
ISSUED FOR CONSTRUCTION	2023/04/21 ADB
DATE	APRIL 21, 2023
REVISIONS	YYYY/MM/DD BY

MORRISON HERSHFIELD	
DESIGNED BY	ADB
CHECKED BY	NJK
DRAWN BY	DML
APPROVED BY	ADB
SCALE:	HORIZONTAL: AS SHOWN VERTICAL: N/A
ISSUED FOR CONSTRUCTION	2023/04/21 ADB
DATE	APRIL 21, 2023
REVISIONS	YYYY/MM/DD BY

ENGINEER'S SEAL
PROVINCE OF MANITOBA
A. D. BRAUN
Member 24453
REGISTERED PROFESSIONAL ENGINEER
CONSULTANT DRAWING NUMBER

THE CITY OF WINNIPEG
WATER AND WASTE DEPARTMENT
ENGINEERING SERVICES DIVISION

FEEDER MAIN VALVE CHAMBER REHABILITATION
VALVE PIT 138 AND 139

VALVE PIT 138
PLANS AND SECTIONS

SHEET 4 OF 6
CITY DRAWING NUMBER
1-0798B-C0005-001