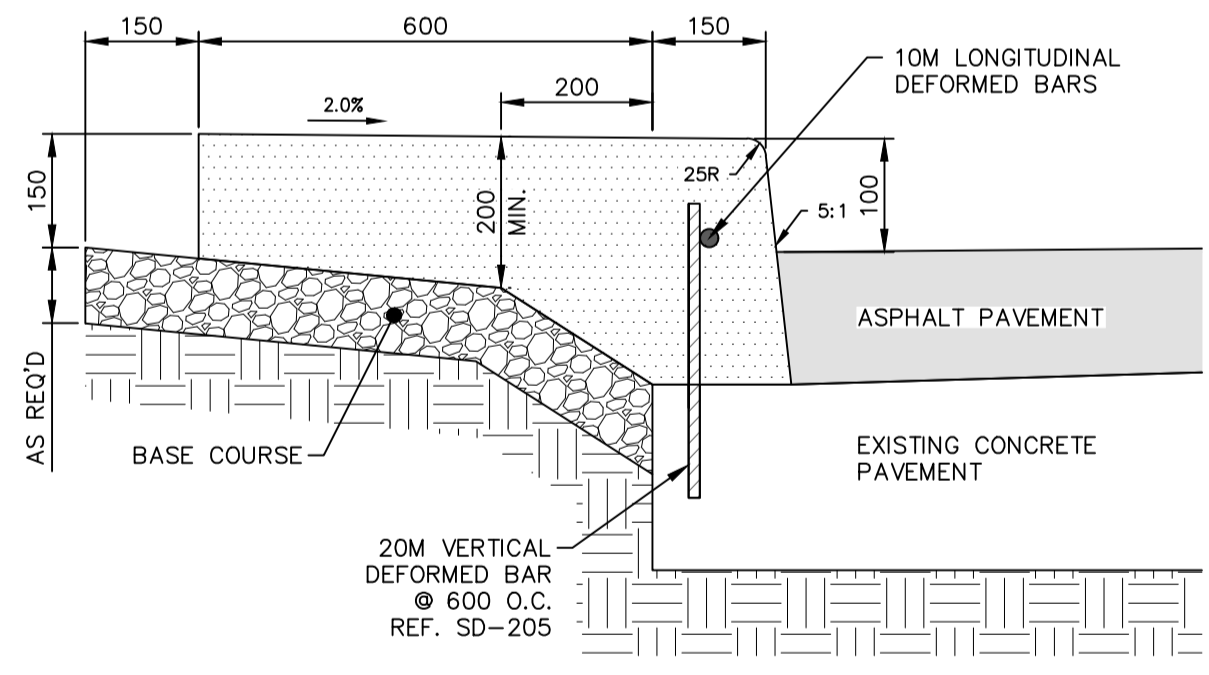
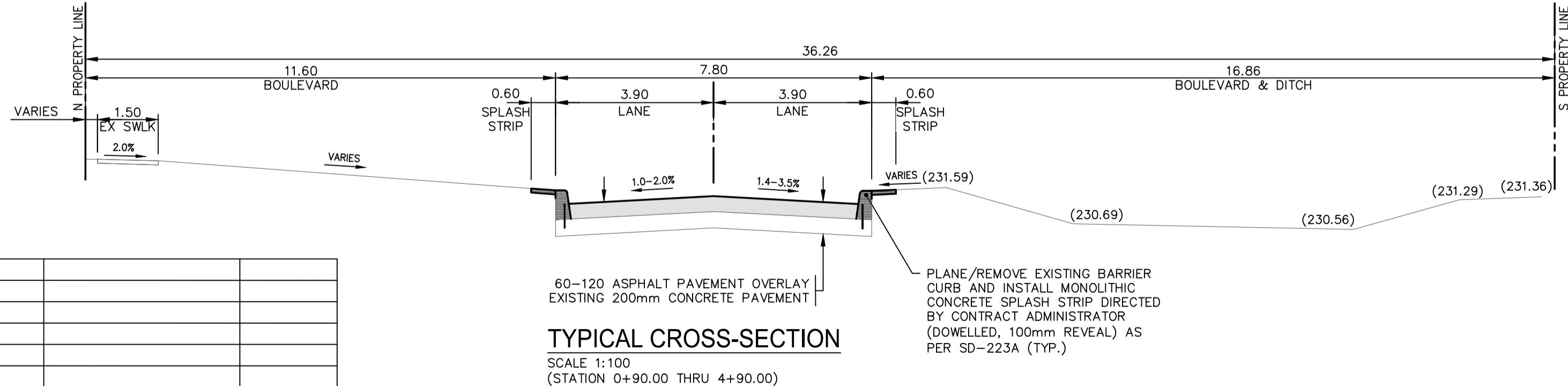


FOR CONTINUATION SEE
DWG 221-07905-00-04



- NOTES:**
1. ALL WORK AND MATERIALS TO BE IN ACCORDANCE WITH THE LATEST REVISION OF THE CITY OF WINNIPEG STANDARD CONSTRUCTION SPECIFICATIONS.
 2. CONTRACTOR TO CONFIRM THE LOCATION OF ALL UTILITIES/SERVICES IN THE FIELD PRIOR TO CONSTRUCTION.
 3. ALL ROADWAY DIMENSIONS SHOWN ARE TO BACK OF CURB.
 4. EXISTING ASPHALT TO BE PLANED AS SHOWN OR AS DIRECTED BY CONTRACT ADMINISTRATOR.
 5. 200mm FULL DEPTH JOINT AND SLAB PATCH RENEWALS SHOWN ARE A REPRESENTATION OF THE APPROXIMATE TENDER QUANTITIES FOR THE WORK; THE JOINT AND SLAB PATCHES WILL BE RENEWED AS DIRECTED BY THE CONTRACT ADMINISTRATOR.
 6. EXISTING SIDEWALK TO BE RENEWED AS PER SD-228A AND AS DIRECTED BY CONTRACT ADMINISTRATOR.
 7. MODIFIED BARRIER CURB TO BE CONSTRUCTED AT ALL INTERSECTION RADII AND ALLEY RADII.
 8. PLANE/REMOVE EXISTING CURB AND INSTALL MONOLITHIC CONCRETE SPLASH STRIP (100mm REVEAL) AS PER SD-223A AND AS DIRECTED BY CONTRACT ADMINISTRATOR.
 9. ALL PRIVATE WALKWAYS TO BE ADJUSTED TO NEW SIDEWALK OR TOP OF CURB ELEVATION, AS DIRECTED BY THE CONTRACT ADMINISTRATOR.
 10. CONTRACTORS TO TAKE PRECAUTIONARY STEPS TO PROTECT EXISTING TREES WITHIN THE LIMITS OF CONSTRUCTION FROM DAMAGE FROM CONSTRUCTION ACTIVITIES AS OUTLINED IN THE SPECIFICATIONS.
 11. LAMP STANDARDS, HYDRO POLES, AND ANCHORS THAT REQUIRE TEMPORARY SUPPORT, REMOVAL OR REPLACEMENT, TO BE DONE SO AT THE EXPENSE OF THE CONTRACTOR AS NECESSARY.
 12. ALL BOULEVARDS TO BE SODDED UNLESS OTHERWISE NOTED.
 13. ADJUST ALL WATER VALVES, HYDRANTS, MANHOLES, AND CATCH BASINS IN WORK AREA TO GRADE.



EXISTING	LEGEND-PLAN	PROPOSED	EXISTING	LEGEND-PROFILE	PROPOSED
---	WATER MAIN	---	---	---	---
---	LAND DRAINAGE SEWER	---	---	---	---
---	WASTE WATER SEWER	---	---	---	---
---	HYDRO	---	---	---	---
---	BelIMTS/SHAW/TELUS	---	---	---	---
---	GAS	---	---	---	---
---	SIGNALS	---	---	---	---
○	MANHOLE	○	---	---	---
□	CATCH BASIN	□	---	---	---
△	CURB INLET	△	---	---	---
---	UTILITIES ADJUSTED	---	---	---	---
⌋	PLUG	⌋	---	---	---
⊕	HYDRANT	⊕	---	---	---
⊙	VALVE	⊙	---	---	---
⌋	CURB STOP	⌋	---	---	---
---	GROUND GRADE	---	---	---	---
---	PAVEMENT GRADE	---	---	---	---
---	ANCHOR	---	---	---	---
---	#111 CIVIC ADDRESS	---	---	---	---
---	EXISTING	---	---	---	---

LOCATIONS APPROVED UNDERGROUND STRUCTURES

SIGNED BY: _____ DATE: _____

SUPV UG STRUCTURES

LOCATION OF UNDERGROUND STRUCTURES AS SHOWN ARE BASED ON THE BEST INFORMATION AVAILABLE BUT NO GUARANTEE IS GIVEN THAT ALL EXISTING UTILITIES ARE SHOWN OR THAT THE GIVEN LOCATIONS ARE EXACT CONFIRMATION OF EXISTENCE AND EXACT LOCATION OF ALL SERVICES MUST BE OBTAINED FROM THE INDIVIDUAL UTILITIES BEFORE PROCEEDING

NO.	REVISIONS	DATE	BY
7			
6			
5			
4			
3			
2			
1			
0	ISSUED FOR TENDER	20230901	RB

wsp

DESIGNED BY: **KG** CHECKED BY: **SS**

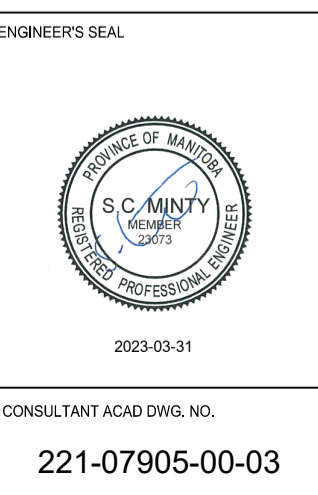
DRAWN BY: **KC/WJD** APPROVED BY: **SM**

HOR. SCALE: **1:250** RELEASED FOR CONSTRUCTION

VERTICAL: **1:10**

DATE: **SEPTEMBER 2022**

WSP Canada Inc.
1600 Buffalo Place
Winnipeg, MB R3T 6B8
t. 204.477.6650
f. 204.474.2864
www.wsp.com



FOR TENDER PURPOSES ONLY

NOT FOR CONSTRUCTION

THE CITY OF WINNIPEG
PUBLIC WORKS DEPARTMENT
ENGINEERING SERVICES DIVISION

2023 INDUSTRIAL STREET RENEWALS

DUGALD ROAD

MINOR REHABILITATION
STA. 0+91.29 TO STA. 2+10

CITY DRAWING NUMBER: _____

SHEET **03** OF **15**

TENDER NO. **241-2023**

Mar 29, 2023 - 2:31pm
 P:\2022\221-07905-00 - 2023 Local Street Renewal 23-R1-02\4.0 Tech + Prof Services\4.11.06_Dwg\03_Work\221-07905-00_Dugald Rd_Plan&Profile.dwg - tab:221-07905-00-03-R0