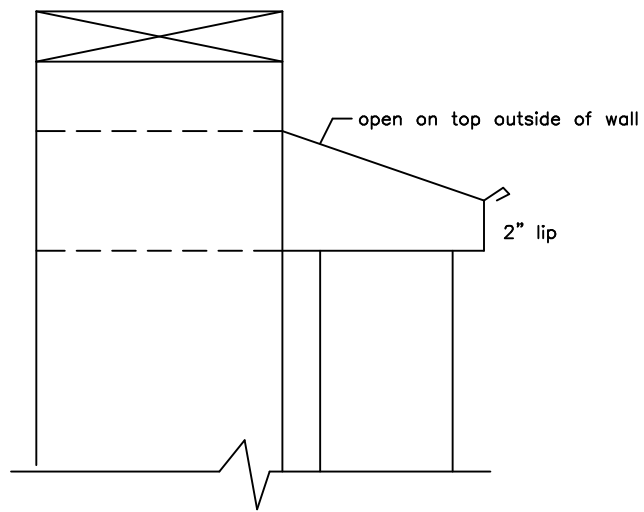
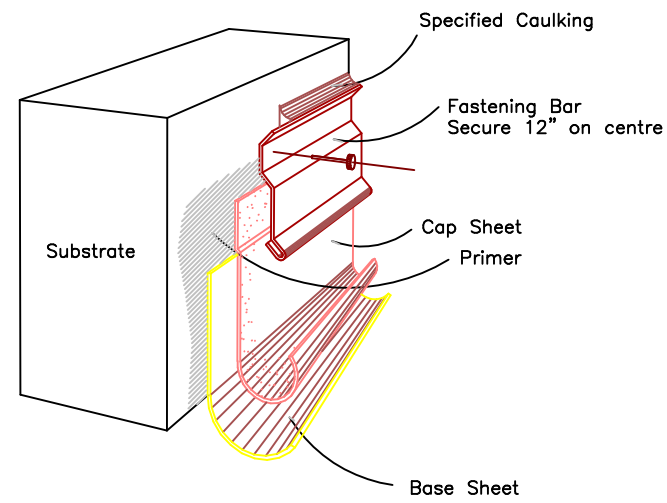


Typical Scupper

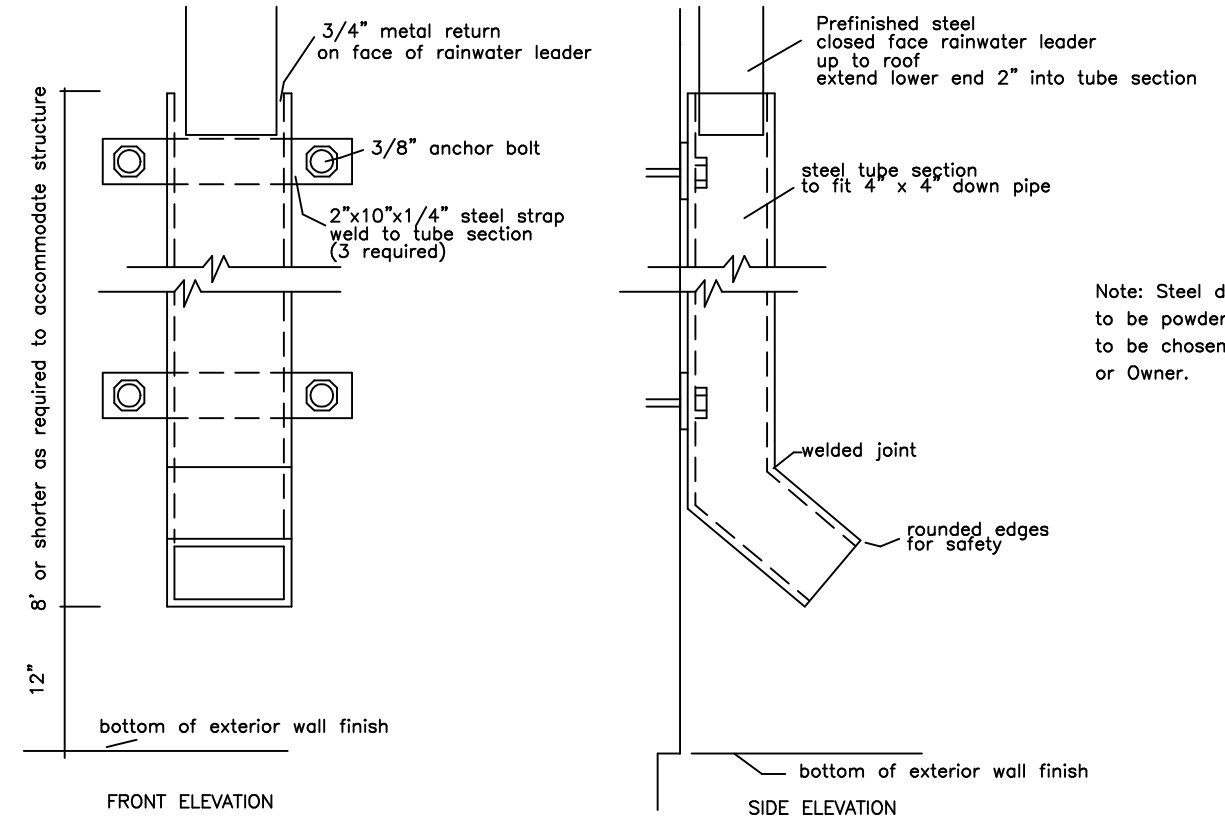


Notes:
Scupper shall be 4 sided through parapet
Scupper shall be minimum 8" wide x 6" high

Typical Fastening Bar

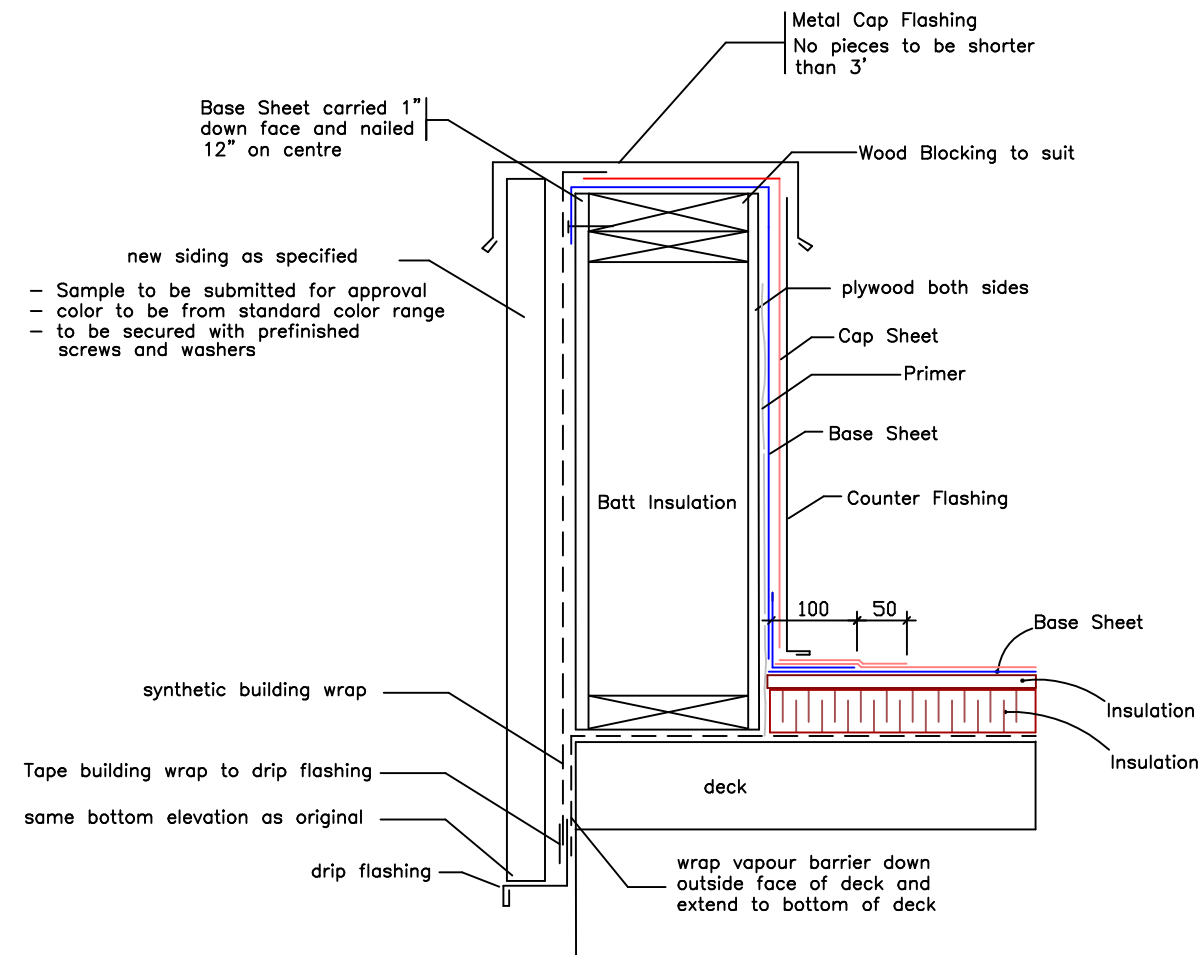


Structural Down Pipes

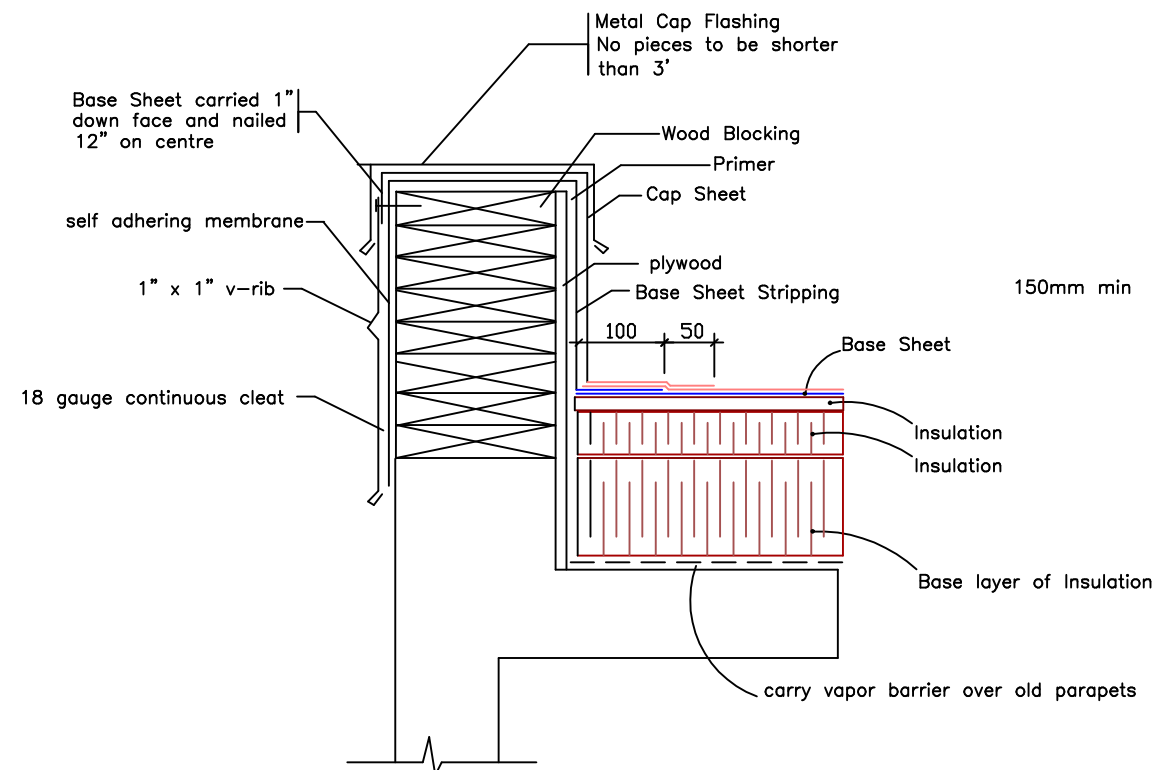


Note: Steel down pipes are to be powder coated. Color to be chosen by the Consultant or Owner.

New Parapet (above glass blocks)



Remaining Parapet Construction



Agassiz Consulting Group Ltd.
Box 41, Warren, Manitoba R0C 3E0
Office Phone: (204) 383-5538

Project: **Century Arena**
1377 Clarence Avenue
Winnipeg, MB

Date: **March 6, 2023**

Drawing No. **D-1**

File no: **3590-23** Scale: **NTS**