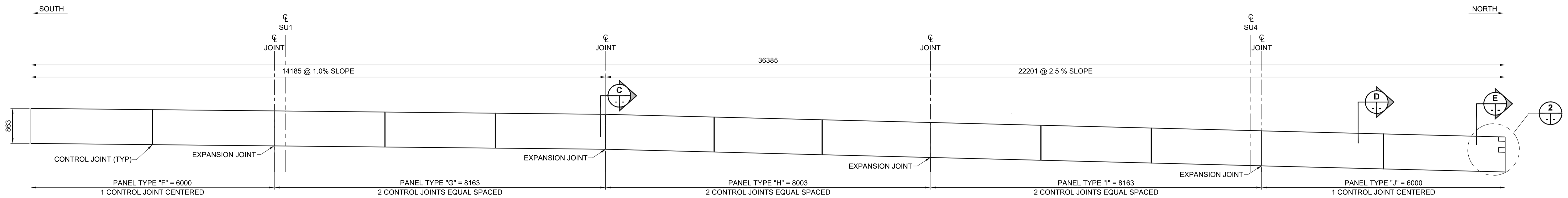


EXTERIOR BARRIER - EAST ELEVATION

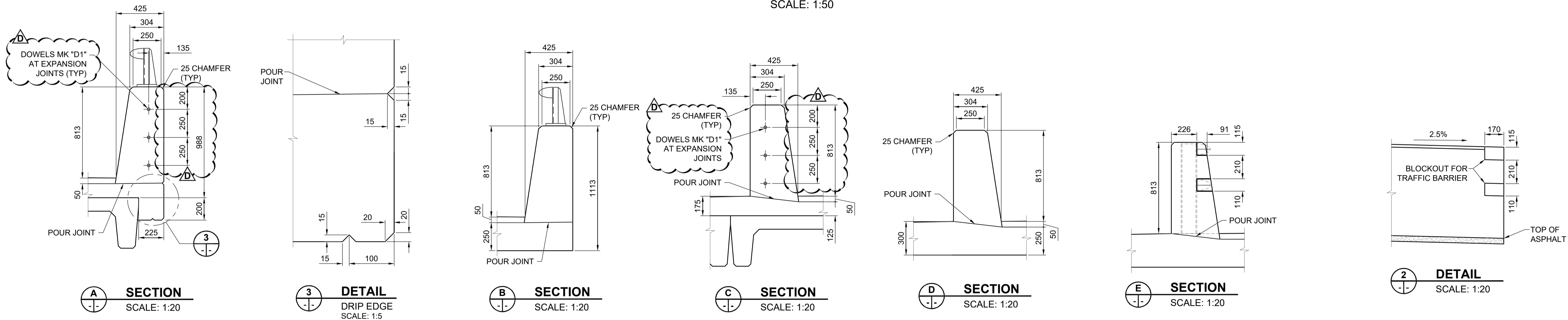
SCALE: 1:50

NOTE: SEE SHEETS 25 AND 26 FOR CONTROL JOINT DETAILS



MEDIAN BARRIER - EAST ELEVATION

SCALE: 1:50



A SECTION
SCALE: 1:20

3 DETAIL
DRIP EDGE
SCALE: 1:5

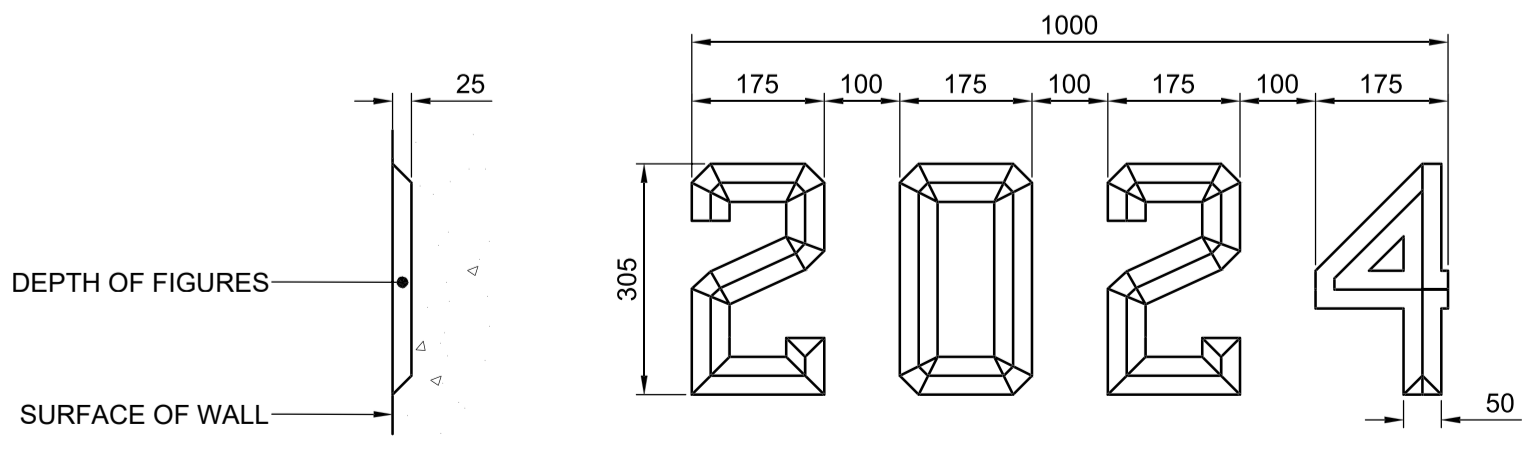
B SECTION
SCALE: 1:20

C SECTION
SCALE: 1:20

D SECTION
SCALE: 1:20

E SECTION
SCALE: 1:20

2 DETAIL
SCALE: 1:20



1 DETAIL
CONSTRUCTION DATE
SCALE: 1:10

- NOTES:
 1. SEE SHEETS 28 AND 29 FOR CONTROL JOINT DETAILS
 2. POUR JOINTS TO HAVE A MINIMUM 1% SLOPE

LOCATION APPROVED
UNDERGROUND STRUCTURES

SUPR. U/G STRUCTURES COMMITTEE DATE

NOTE:
LOCATION OF UNDERGROUND STRUCTURES AS SHOWN ARE BASED ON THE BEST INFORMATION AVAILABLE BUT NO GUARANTEE IS GIVEN THAT ALL EXISTING UTILITIES ARE SHOWN OR THAT THE GIVEN LOCATIONS ARE EXACT. CONFIRMATION OF EXISTENCE AND EXACT LOCATION OF ALL SERVICES MUST BE OBTAINED FROM THE INDIVIDUAL UTILITIES BEFORE PROCEEDING WITH CONSTRUCTION.

BM 78-009	N.W. Cor. Paddington Rd. & Dakota St., 19 mm dia. x 6.1 m		
ELEV 232.749 m	I.B. in Valve Box, 5.5 m S. of N.L. Paddington Rd. & on W.L. of Dakota St., in traffic island		
D	ISSUED FOR ADDENDUM 1	23/08/23	BAP
C	ISSUED FOR TENDER	23/08/02	BAP
B	ISSUED FOR 95% REVIEW	23/06/27	BAP
A	ISSUED FOR 50% REVIEW	23/04/14	BAP
No.	REVISIONS	YYMM/DD	BY

MORRISON HERSHFIELD	
DESIGNED BY	ALP
CHECKED BY	AGG
DRAWN BY	AS
APPROVED BY	BAP
RELEASED FOR CONSTRUCTION	
HOR SCALE	AS SHOWN
VERT SCALE	AS SHOWN
DATE	JUNE 27, 2023

PROFESSIONAL'S SEAL

CONSULTANT FILE NAME
2203665-CBR DD-BARRIER01.dwg

ENGINEERS GEOSCIENTISTS MANITOBA
Certificate of Authorization
MORRISON HERSHFIELD
No. 1736

TENDER No. 335-2023

THE CITY OF WINNIPEG
PUBLIC WORKS DEPARTMENT
ENGINEERING DIVISION

CREEK BEND ROAD BRIDGE REPLACEMENT AND RELATED WORKS

CITY DRAWING NUMBER
B149-23-27

SHEET 27 OF 52

DRAWING NUMBER
27

BARRIER LAYOUT AND CONCRETE DETAILS

METRIC
WHOLE NUMBERS INDICATE MILLIMETRES
DECIMALIZED NUMBERS INDICATE METRES