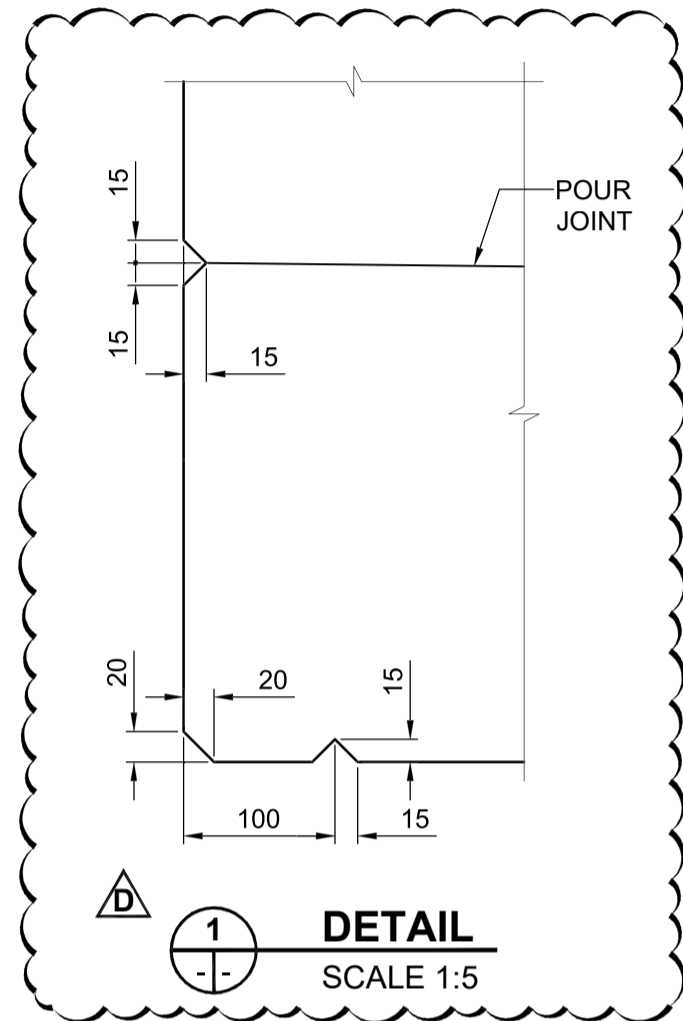
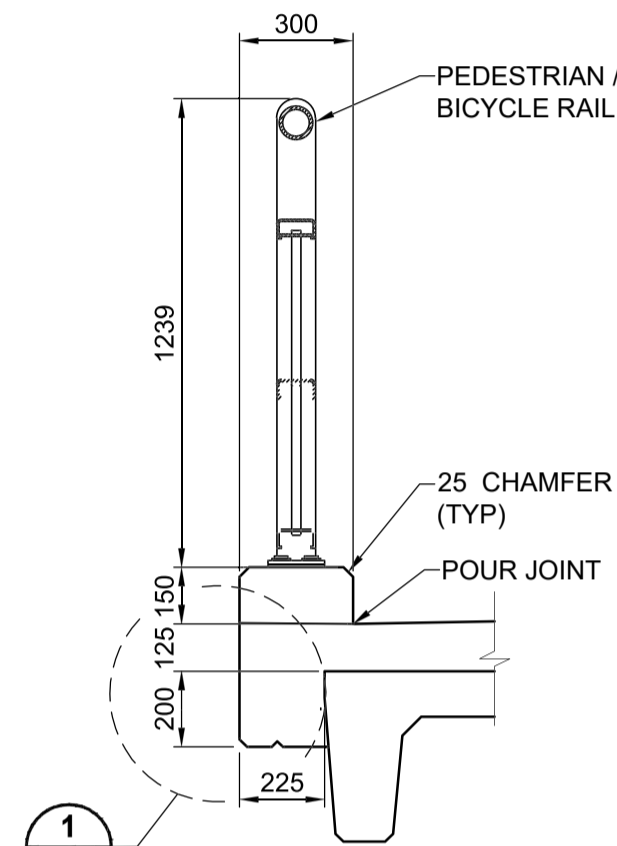


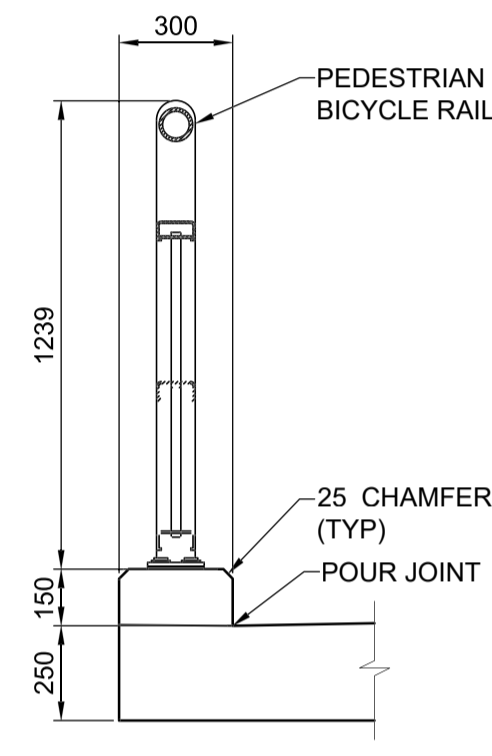
WEST CURB PLAN
SCALE: 1:50



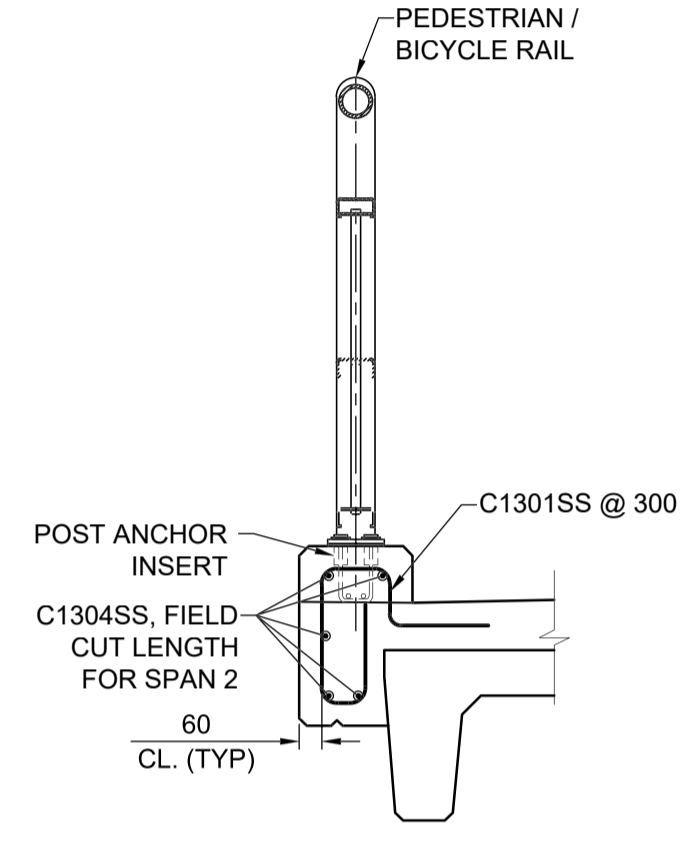
DETAIL
SCALE 1:5



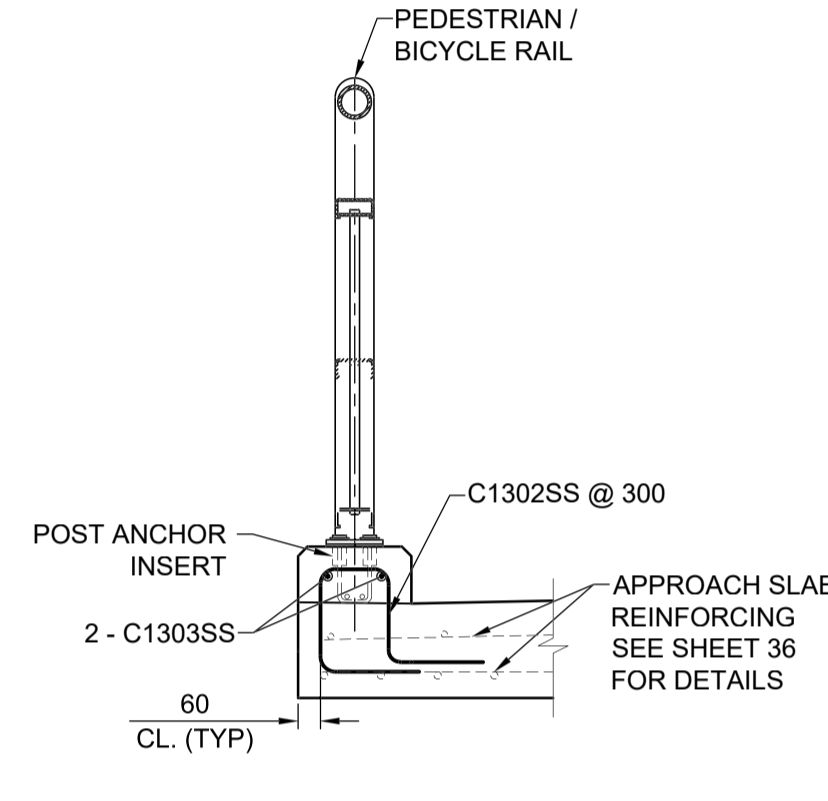
SECTION A
CONCRETE DETAIL
SCALE 1:20



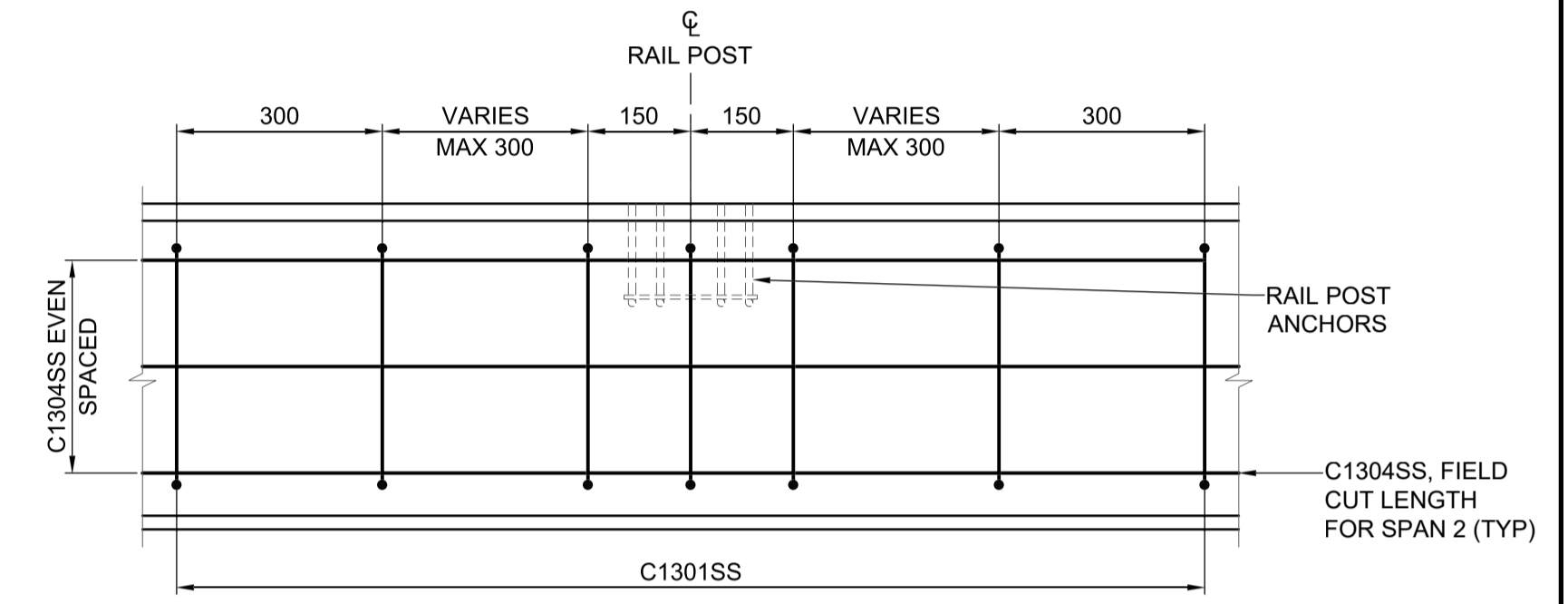
SECTION B
CONCRETE DETAIL
SCALE 1:20



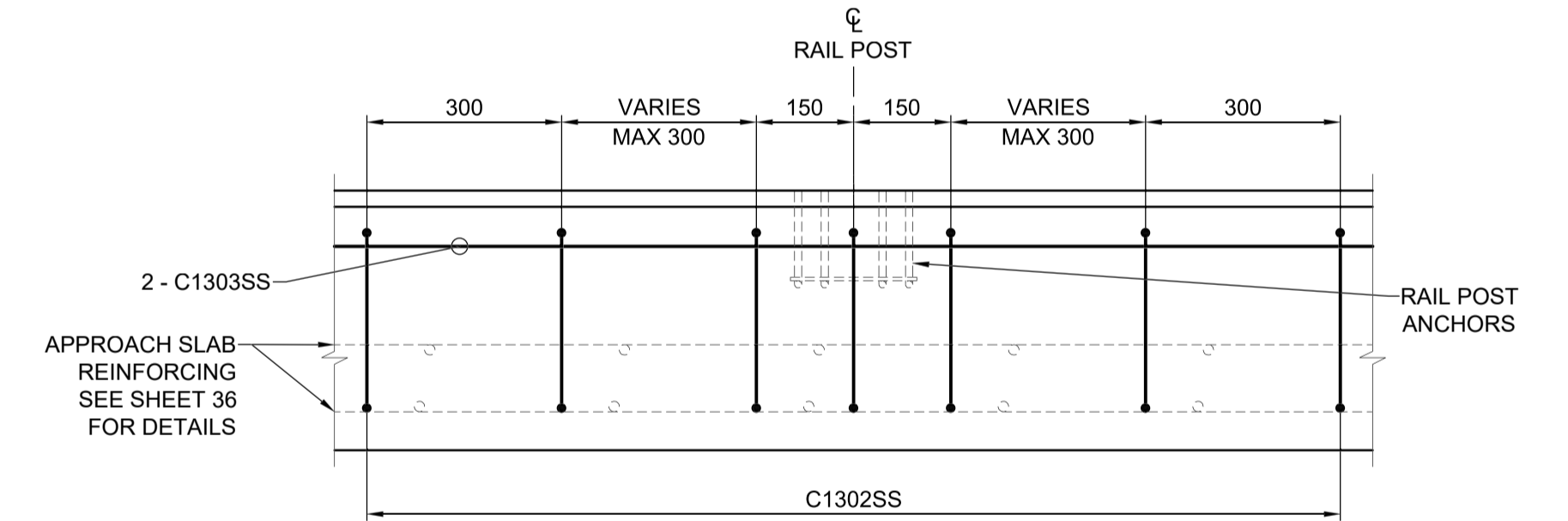
SECTION A
REINFORCING DETAIL
SCALE 1:20



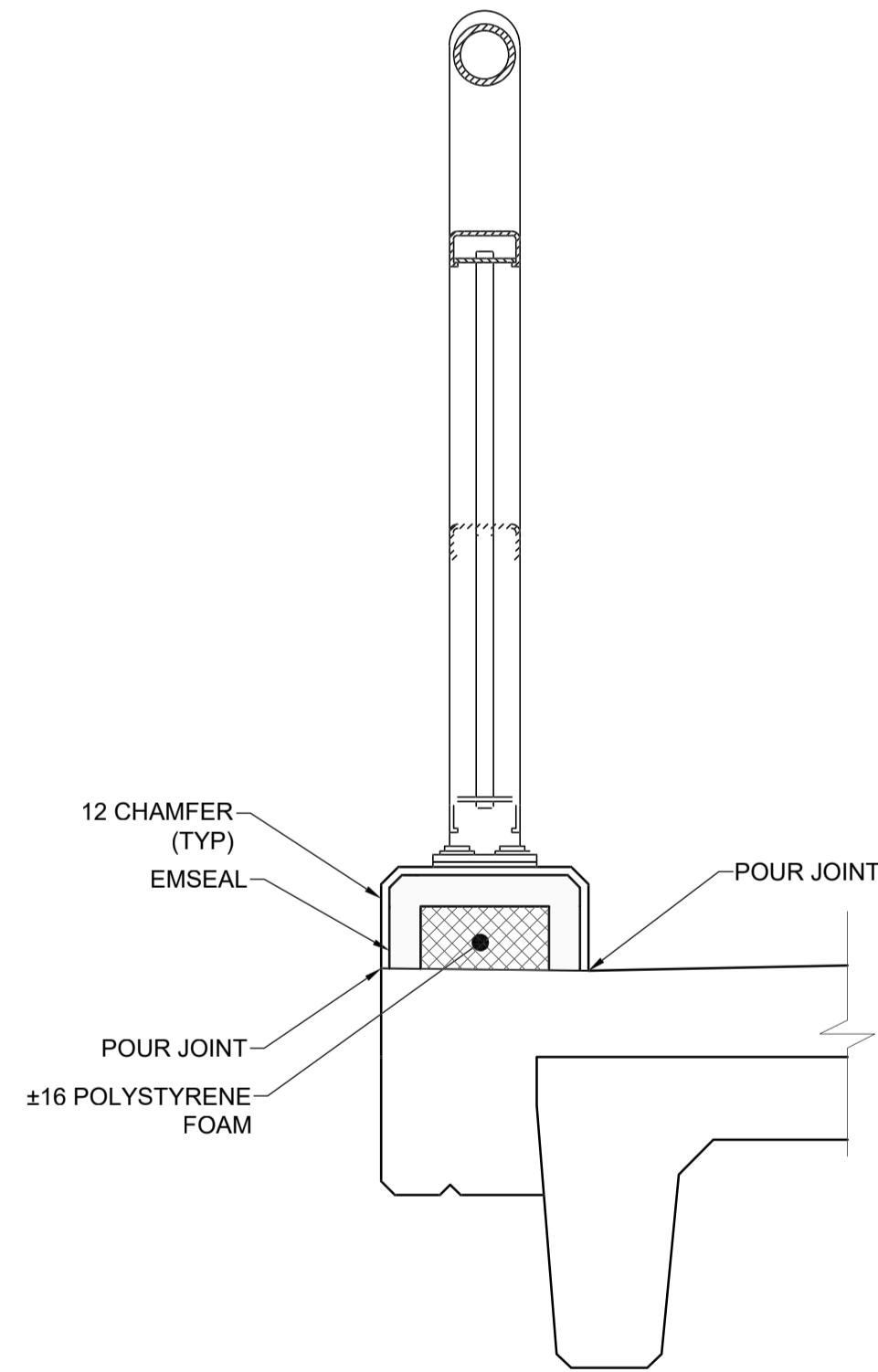
SECTION B
REINFORCING DETAIL
SCALE 1:20



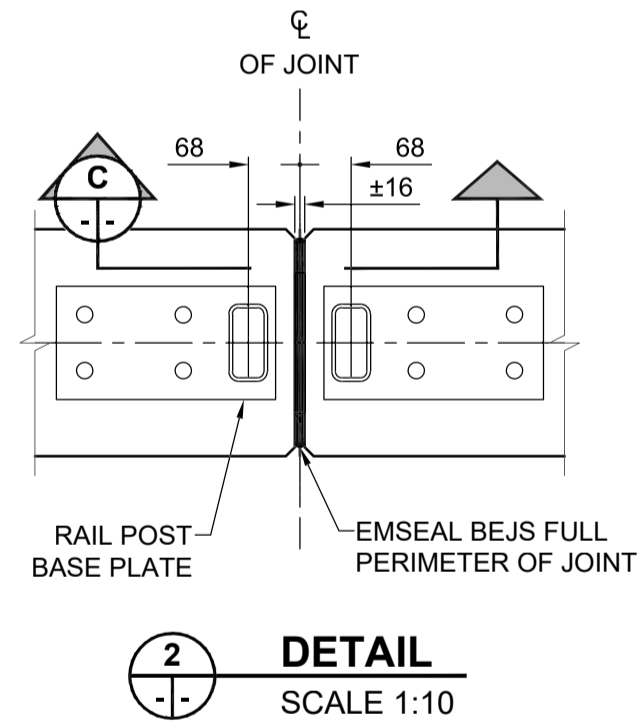
TYPICAL DECK CURB REINFORCING
ELEVATION VIEW
SCALE 1:10



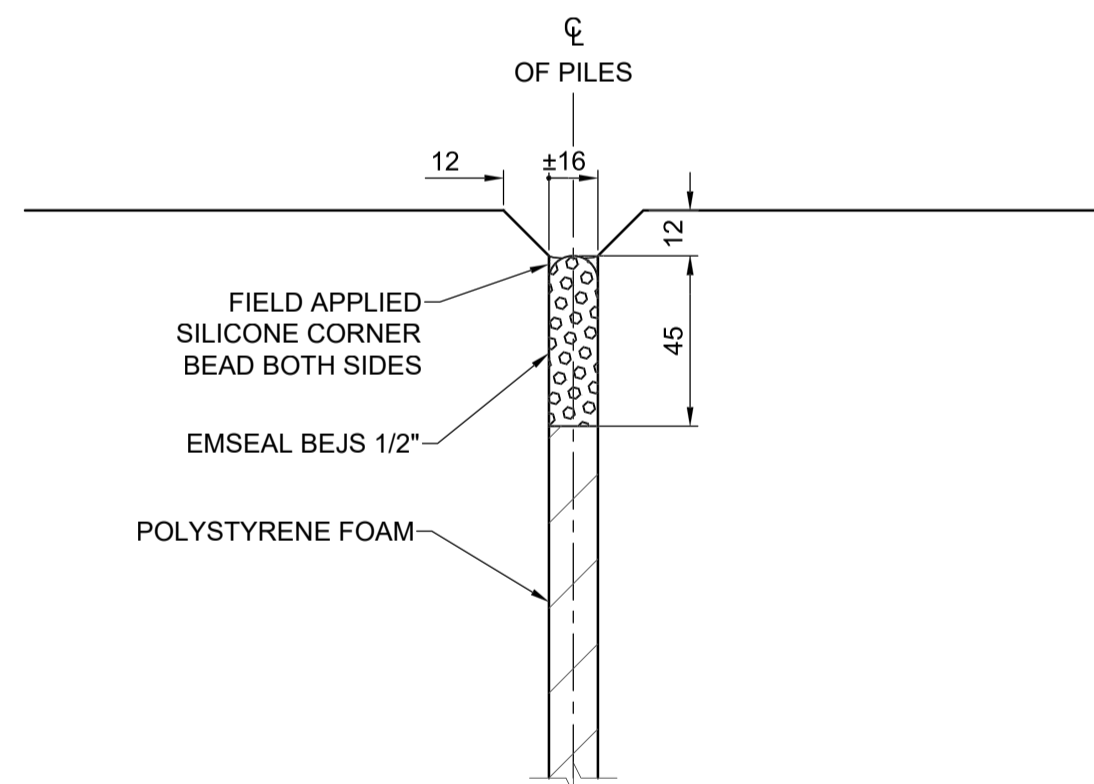
TYPICAL APPROACH CURB REINFORCING
ELEVATION VIEW
SCALE 1:10



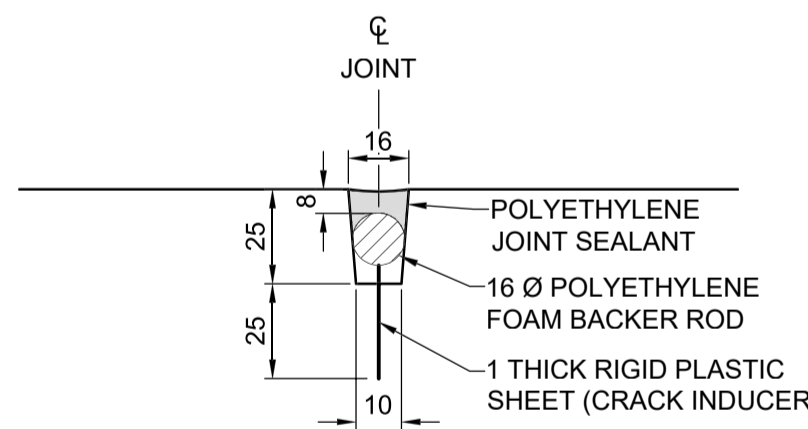
EXPANSION JOINT DETAIL
ELEVATION VIEW
SCALE 1:10



DETAIL
SCALE 1:10



SECTION C
SCALE: 1:2



CONTROL JOINT DETAIL
SCALE 1:2

LOCATION APPROVED UNDERGROUND STRUCTURES

NOTE: LOCATION OF UNDERGROUND STRUCTURES AS SHOWN ARE BASED ON THE BEST INFORMATION AVAILABLE BUT NO GUARANTEE IS GIVEN THAT ALL EXISTING UTILITIES ARE SHOWN OR THAT THE GIVEN LOCATIONS ARE EXACT. CONFIRMATION OF EXISTENCE AND EXACT LOCATION OF ALL SERVICES MUST BE OBTAINED FROM THE INDIVIDUAL UTILITIES BEFORE PROCEEDING WITH CONSTRUCTION.

BM 78-009	N.W. Cor. Paddington Rd. & Dakota St., 19 mm dia. x 6.1 m	
ELEV 232.749 m	I.B. in Valve Box, 5.5 m S. of N.L. Paddington Rd. & on W.L. of Dakota St., in traffic island.	
DATE	DATE	
DESIGNED BY	CHECKED BY	
DRAWN BY	APPROVED BY	
ISSUED FOR ADDENDUM 1	23/08/23	BAP
ISSUED FOR TENDER	23/08/02	BAP
ISSUED FOR 95% REVIEW	23/06/27	BAP
ISSUED FOR 50% REVIEW	23/04/14	BAP
REVISIONS	YYMMDD	BY



DESIGNED BY	ALP	CHECKED BY	AGG
DRAWN BY	AS	APPROVED BY	BAP
HOR SCALE	AS SHOWN	RELEASED FOR CONSTRUCTION	
VERT SCALE	AS SHOWN		
DATE	JUNE 27, 2023	DATE	

PROFESSIONAL'S SEAL
CONSULTANT FILE NAME
2203665-CBR DD-BARRIER05.dwg

ENGINEERS GEOSCIENTISTS MANITOBA
Certificate of Authorization
MORRISON HERSHFIELD
No. 1736
TENDER No. 335-2023

THE CITY OF WINNIPEG
PUBLIC WORKS DEPARTMENT
ENGINEERING DIVISION

CREEK BEND ROAD BRIDGE REPLACEMENT AND RELATED WORKS

CITY DRAWING NUMBER: B149-23-31
SHEET 31 OF 52
DRAWING NUMBER: 31

CURB LAYOUT AND DETAILS