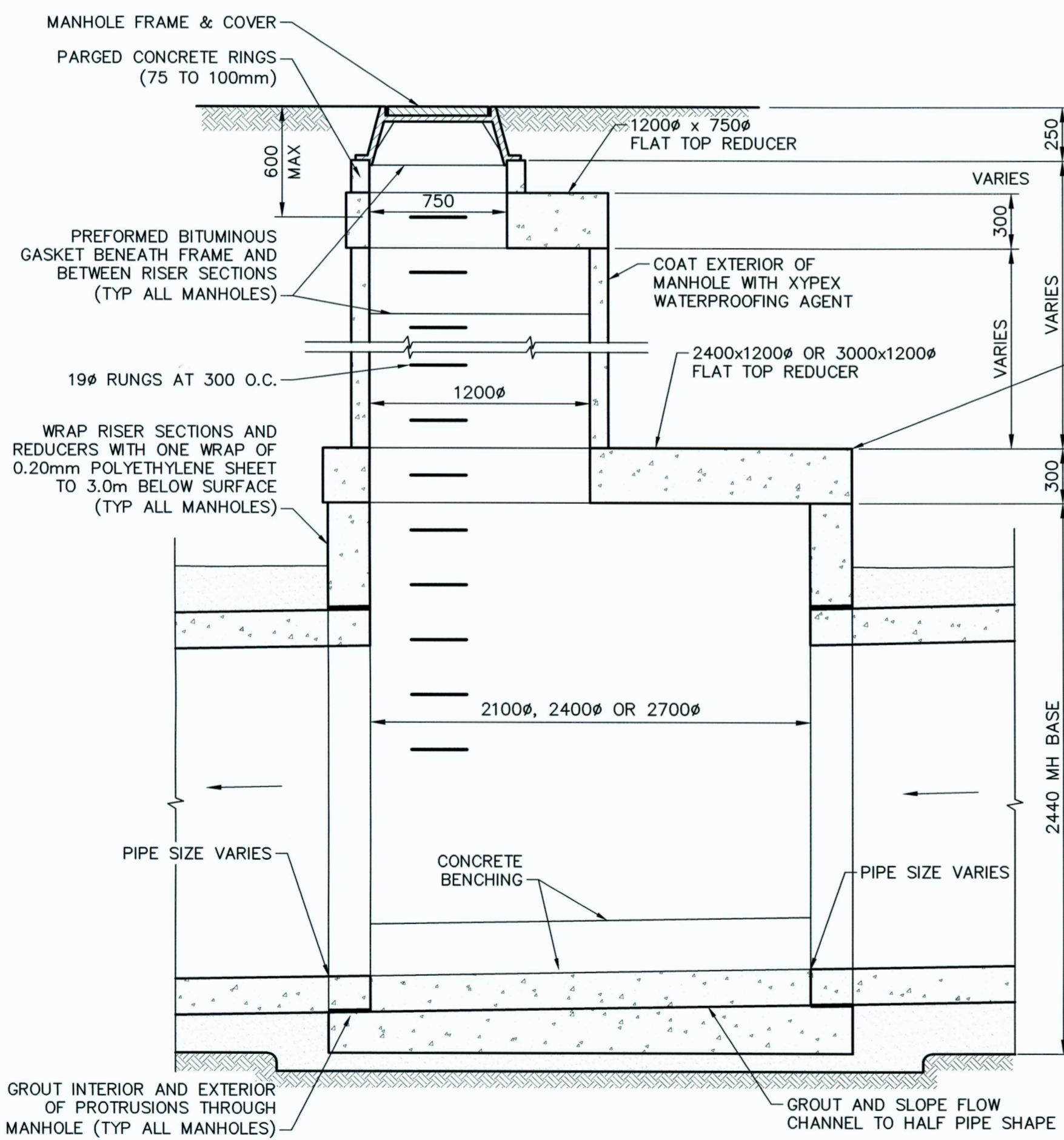
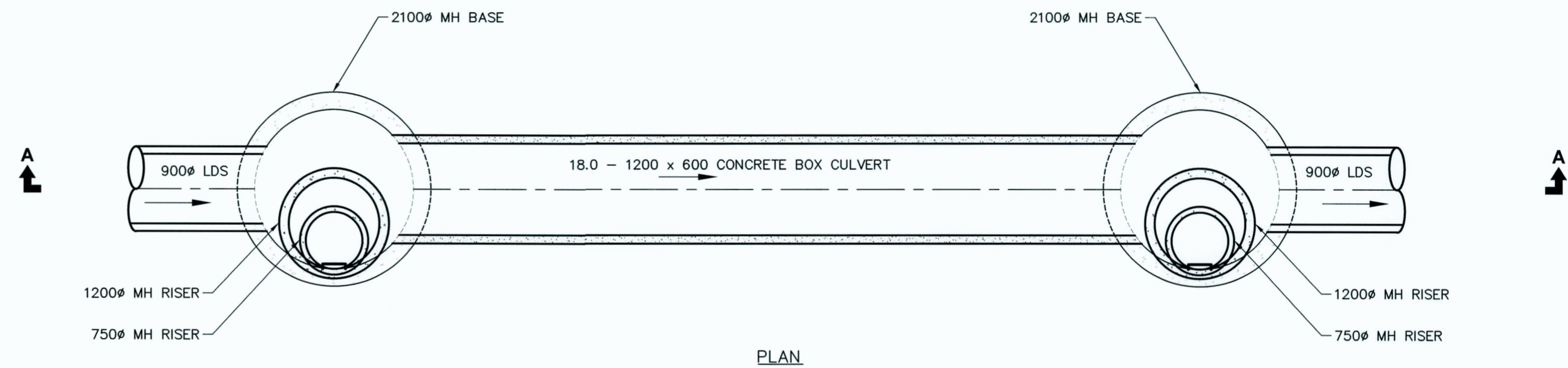


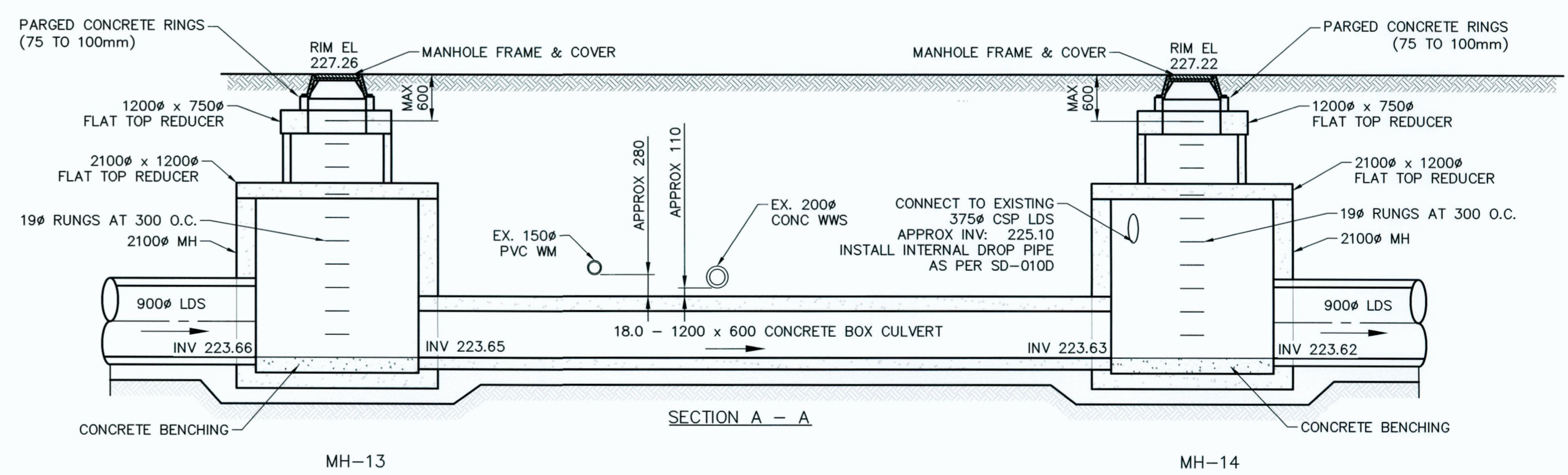
MANHOLE 15 DETAIL
SCALE: N.T.S.



TYPICAL LARGE DIAMETER MANHOLE DETAIL
SCALE: N.T.S.



PLAN



ESSAR AVENUE CROSSING DETAIL
SCALE: N.T.S.

FOR INDEX PAGE SEE
DWG LD-12121

METRIC
WHOLE NUMBERS INDICATE MILLIMETRES
DECIMALIZED NUMBERS INDICATE METRES

ISSUED FOR TENDER
NOT TO BE USED FOR CONSTRUCTION

ENGINEERS
GEOSCIENTISTS
MANITOBA
Certificate of Authorization
KGS Group
No. 245

LOCATION APPROVED UNDERGROUND STRUCTURES		B.M. ELEV.
SUPV. U/G STRUCTURES COMMITTEE	DATE	
NOTE: LOCATION OF UNDERGROUND STRUCTURES AS SHOWN ARE BASED ON THE BEST INFORMATION AVAILABLE BUT NO GUARANTEE IS GIVEN THAT ALL EXISTING UTILITIES ARE SHOWN OR THAT THE GIVEN LOCATIONS ARE EXACT. CONFIRMATION OF EXISTENCE AND EXACT LOCATION OF ALL SERVICES MUST BE OBTAINED FROM THE INDIVIDUAL UTILITIES BEFORE PROCEEDING WITH CONSTRUCTION.		
A	ISSUED FOR TENDER	2023 05 10
NO.	REVISIONS	DATE BY

DESIGNED BY GH		CHECKED BY TLF
DRAWN BY GH		APPROVED BY RBO
SCALE: HORIZONTAL AS NOTED VERTICAL NA		RELEASED FOR CONSTRUCTION
DATE 2023 05 10		DATE
PLOT DATE: 2023 05 10		

KGS GROUP

ENGINEER'S SEAL
PROVINCE OF MANITOBA
G.T.
HEINRICHS
Member
38162
REGISTERED PROFESSIONAL ENGINEER
CONSULTANT DRAWING NUMBER
22-0107-024_C14

THE CITY OF WINNIPEG
WATER AND WASTE DEPARTMENT
ENGINEERING DIVISION
McLEOD CREEK DRAINAGE IMPROVEMENTS
SHEET 15 OF 16
CITY DRAWING NUMBER
LD-12134
MANHOLE DETAILS