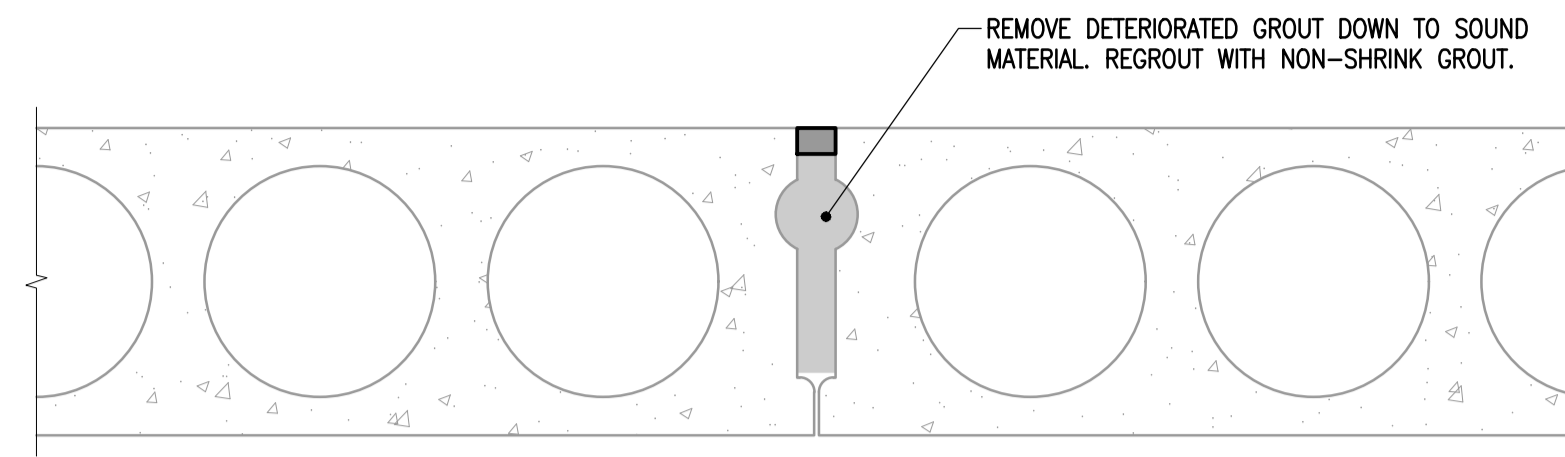
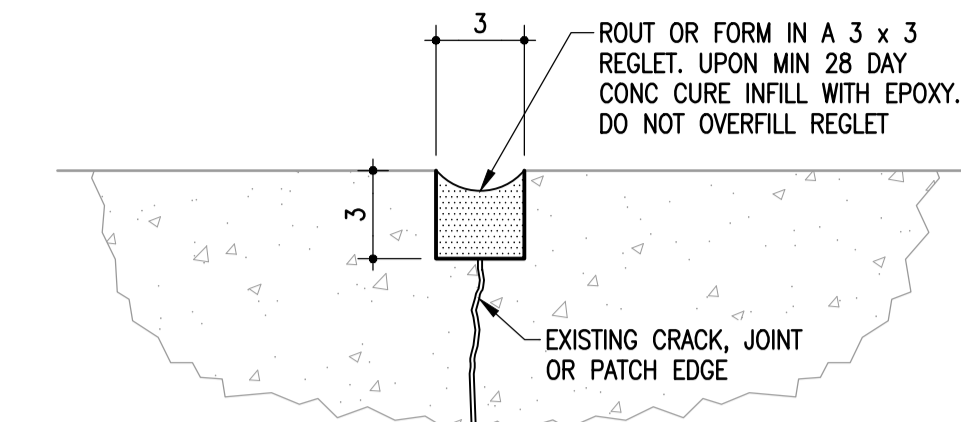


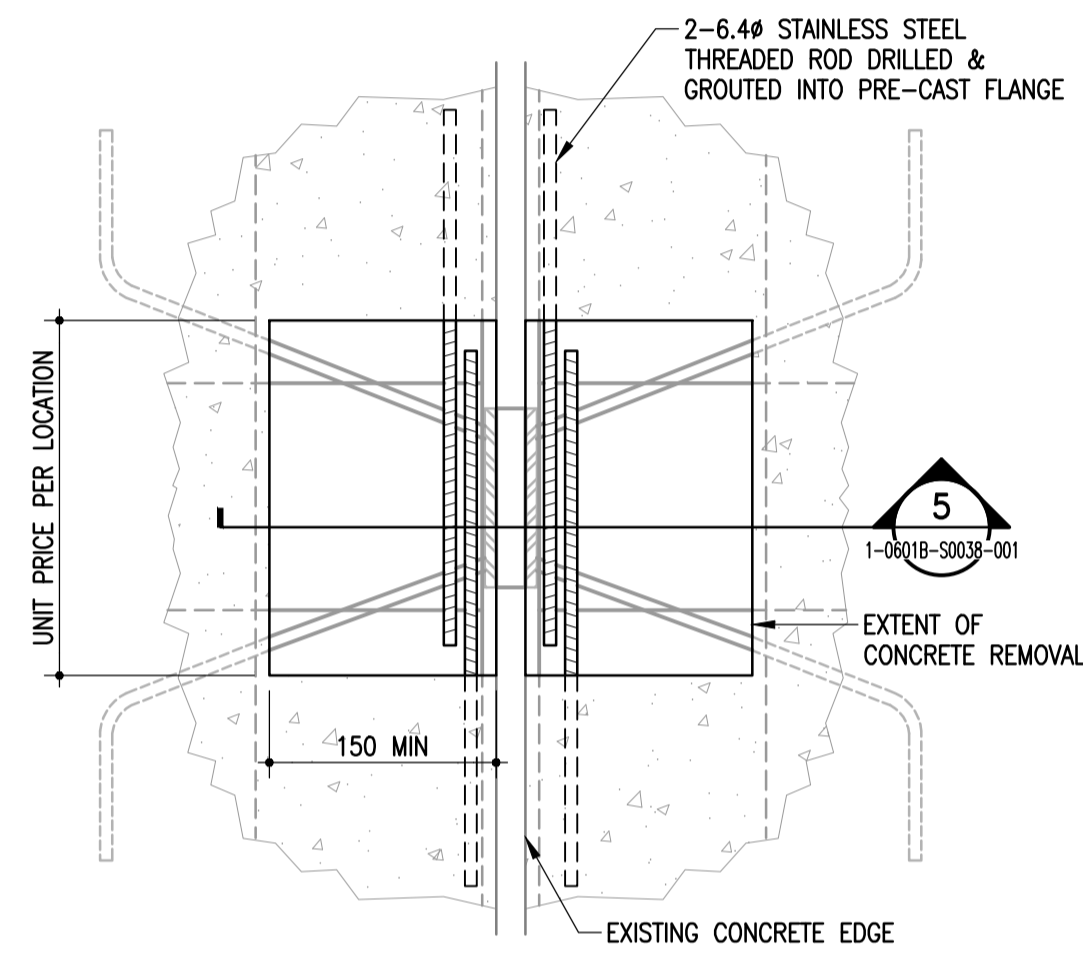
1 TYPICAL SCALING REPAIR DETAIL
 1-0601B-S0038-001 NTS (UNIT PRICE PER SQUARE METRE)



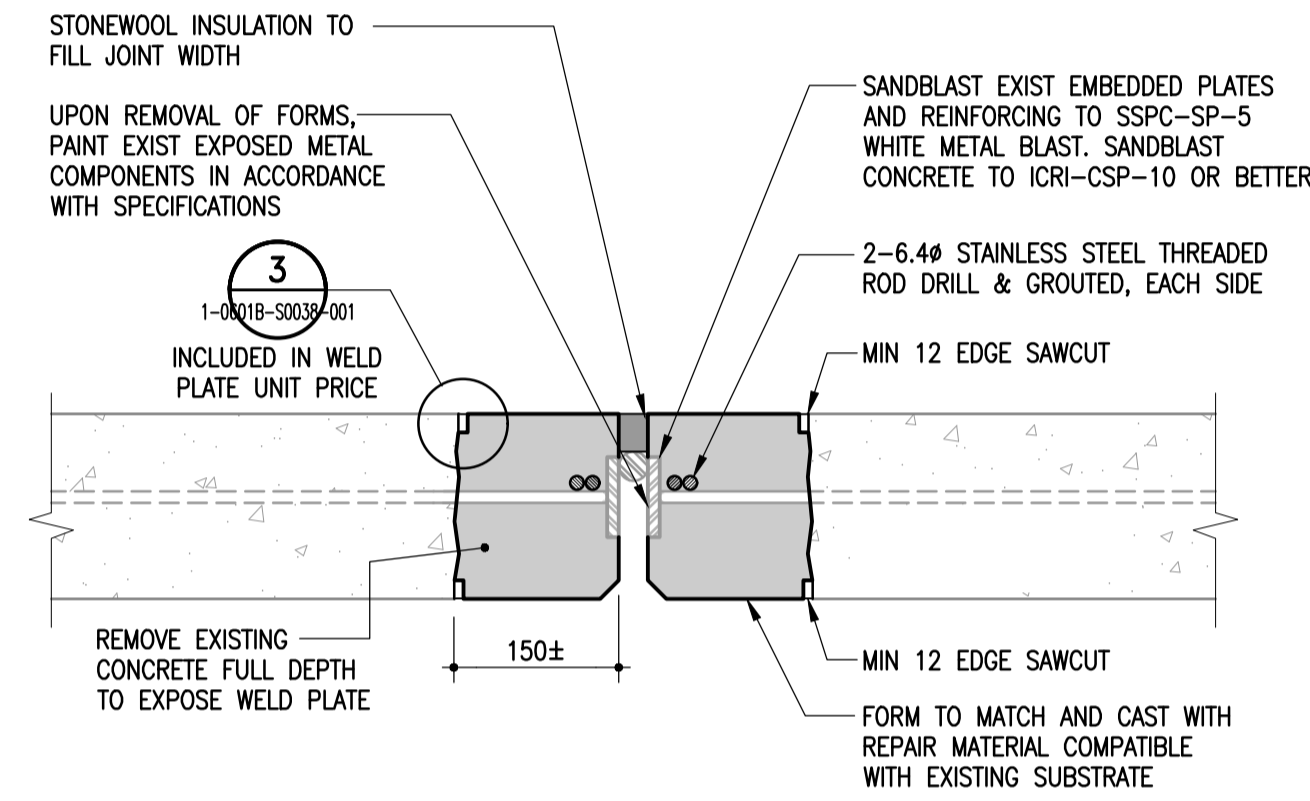
2 TYPICAL JOINT REPAIR AT HOLLOWCORE
 1-0601B-S0038-001 NTS (UNIT PRICE PER LINEAL METRE)



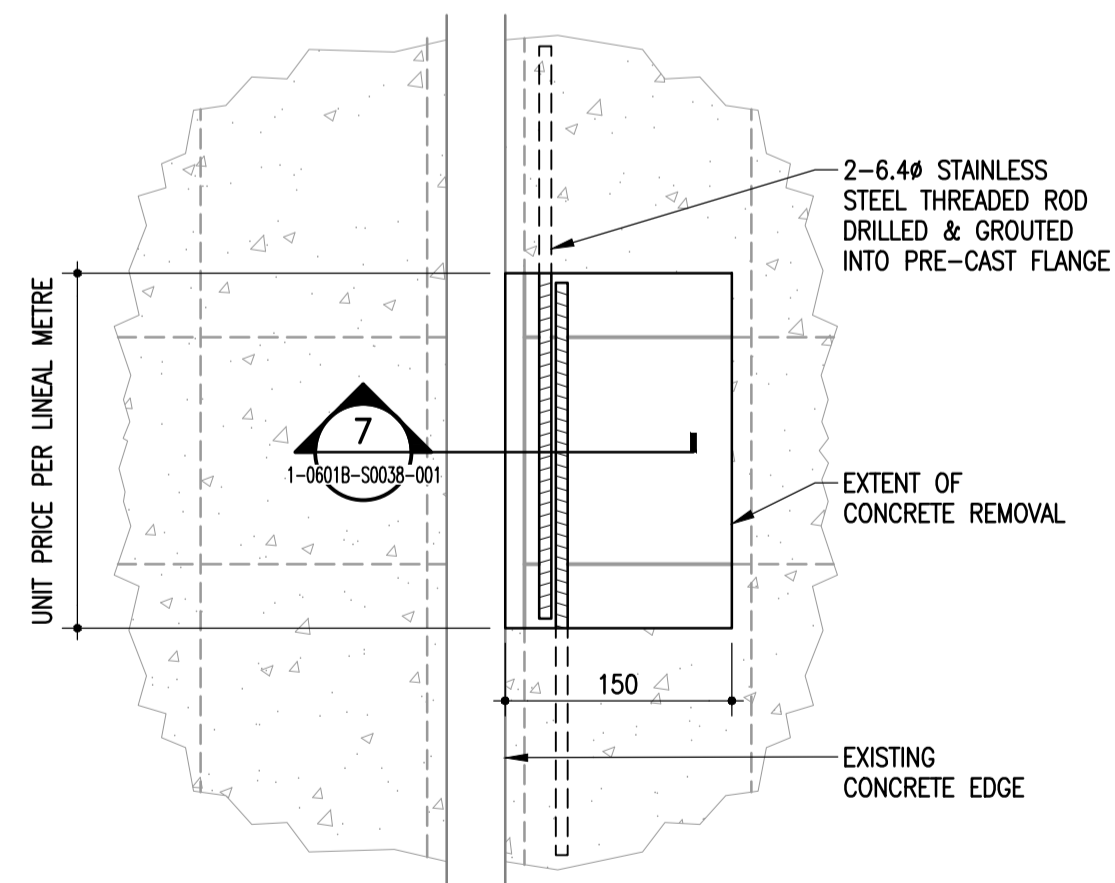
3 EPOXY FILLING OF CRACK JOINTS AND PATCH EDGES
 1-0601B-S0038-001 NTS (UNIT PRICE PER METRE)



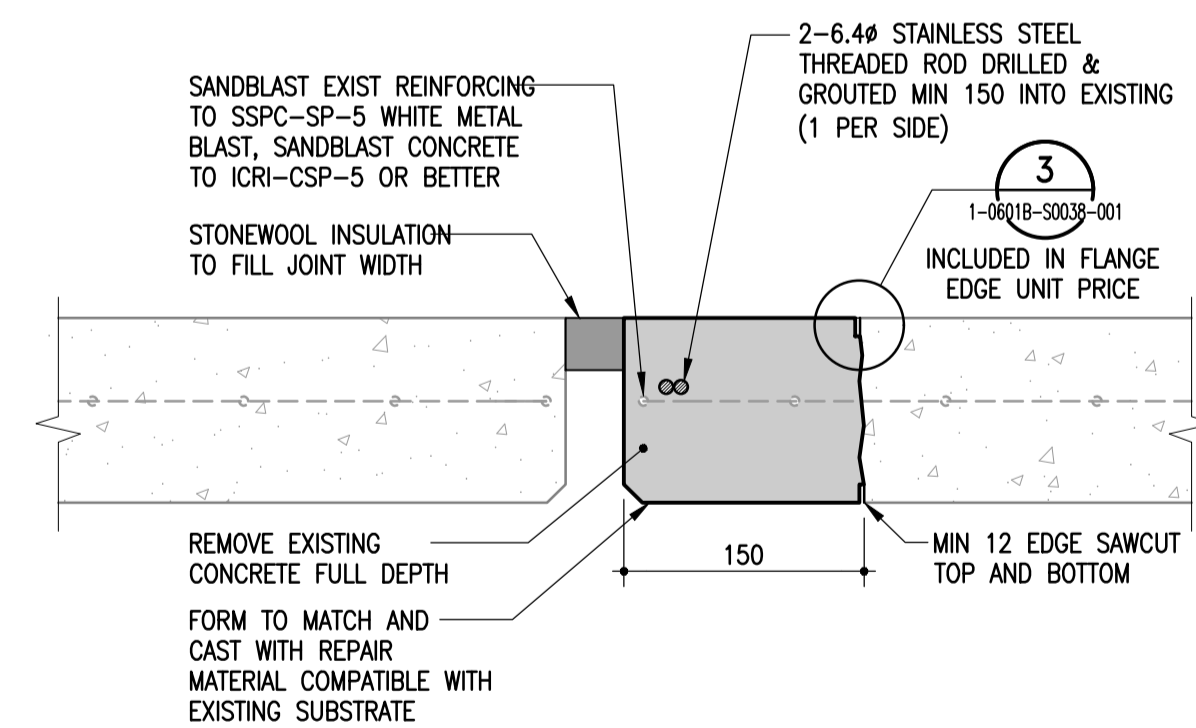
4 WELD PLATE PLAN DETAIL
 1-0601B-S0038-001 NTS (UNIT PRICE PER LOCATION, BOTH SIDES)



5 WELD PLATE SECTION
 1-0601B-S0038-001 NTS (UNIT PRICE PER LOCATION)



6 FLANGE EDGE REPAIR PLAN DETAIL
 1-0601B-S0038-001 NTS (UNIT PRICE PER LINEAL METRE)



7 FLANGE EDGE REPAIR SECTION
 1-0601B-S0038-001 NTS (UNIT PRICE PER LINEAL METRE)

10		
9		
8		
7		
6		
5		
4		
3		
2	1-060B1-B0064-001	WF, WR, WO & WC ROOF DEMOLITION PLAN
1	1-0601B-G0004-001	BUILDING NOTES, SCHEDULE & LEGENDS
NO.	DRAWING NUMBER	REFERENCE DRAWING TITLE
REFERENCE DRAWINGS		

ENGINEERS GEOSCIENTISTS MANITOBA
 Certificate of Authorization
 Crosier Kilgour & Partners Ltd.
 No. 235

B.M. ELEV.					
DESIGNED BY	GJH	CHECKED BY	JAW		
DRAWN BY	LOL	APPROVED BY	GJH		
SCALE:	NTS	RELEASED FOR CONSTRUCTION BY:			
00	ISSUED FOR TENDER	23/03/21	GJH		
NO.	REVISIONS	DATE	BY	DATE	

300-275 Carlton Street
 Winnipeg, Manitoba R3C 5S6
 T 204. 943. 7501
 F 204. 943. 7507
 2022-1008

Crosier Kilgour & Partners Ltd.
 CONSULTING STRUCTURAL ENGINEERS

DESIGNED BY: GJH
 CHECKED BY: JAW
 DRAWN BY: LOL
 APPROVED BY: GJH
 SCALE: NTS
 RELEASED FOR CONSTRUCTION BY:

ENGINEER'S SEAL
 PROVINCE OF MANITOBA
J.A. WELLS
 23/03/21
 REGISTERED PROFESSIONAL ENGINEER

CONSULTANT DRAWING NO. S5.1

THE CITY OF WINNIPEG
 WATER AND WASTE DEPARTMENT
 ENGINEERING DIVISION

DRINKING WATER TREATMENT PLANT
 MAIN BUILDING
 ROOF REPLACEMENT

STRUCTURAL
 REINFORCED CONCRETE REPAIR
 DETAILS

CITY FILE NUMBER **W-1049**
 SHEET 1 OF 1
 CITY DRAWING NUMBER 1-0601B-S0038-001