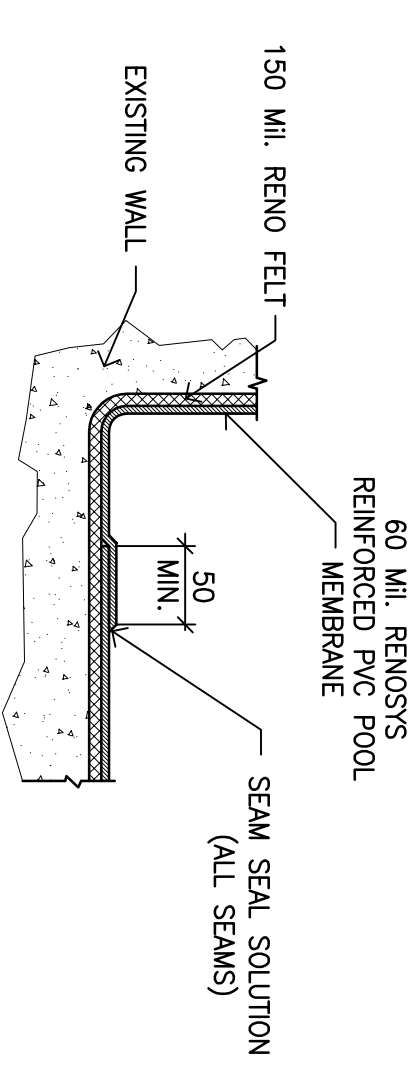
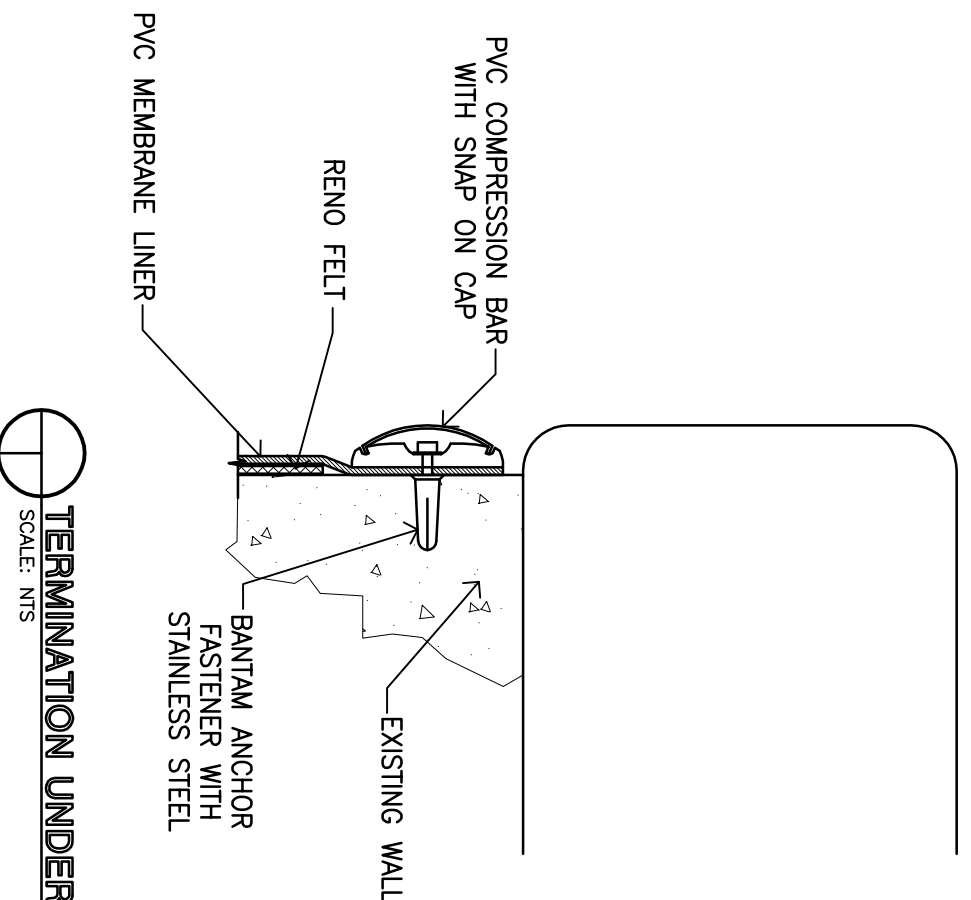


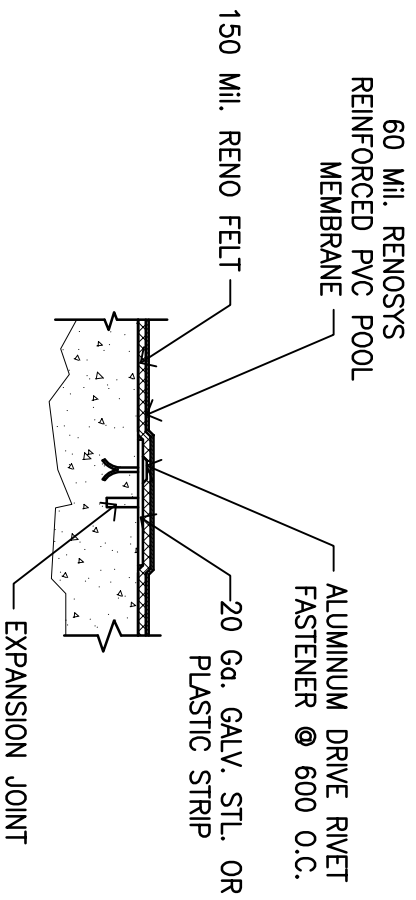
A RETAINING WALL SECTION
SCALE: 1:30



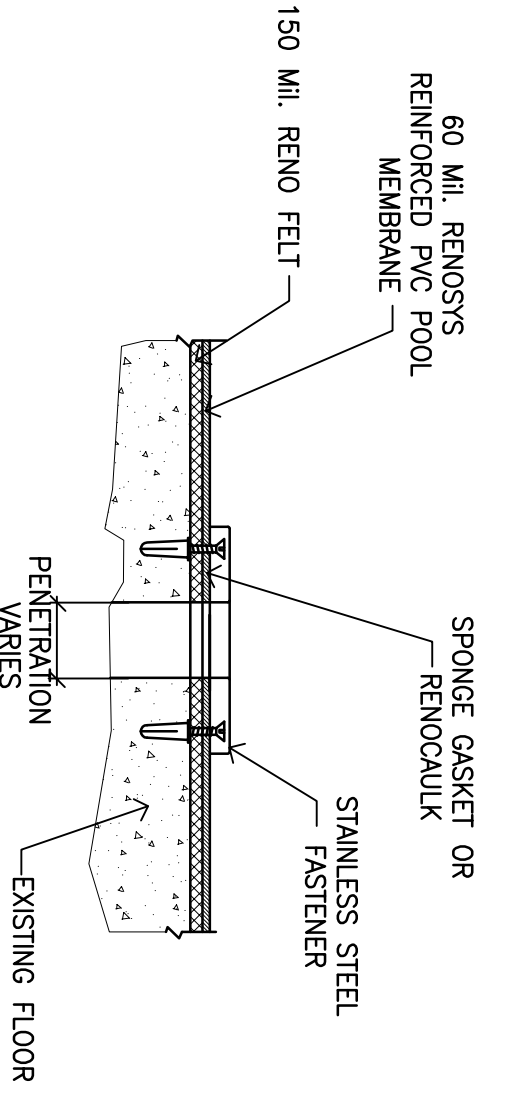
TYPICAL WALL TO FLOOR JUNCTION
SCALE: NTS



TERMINATION UNDER COPING
SCALE: NTS



FLOOR AND WALL EXPANSION JOINT DETAIL
SCALE: NTS



UNDERWATER PENETRATION FLANGE CONDITION
SCALE: NTS

| REV | DESCRIPTION | DATE | BY |
|-----|--------------------|----------|----|
| 0 | ISSUED FOR PERMITS | 08-21-09 | AG |
| | | | |
| | | | |
| | | | |
| | | | |
| | | | |
| | | | |
| | | | |
| | | | |
| | | | |

SCALE: 1:50

SCALE: 1:50

THIS DRAWING MUST NOT BE SCALED.
THE GENERAL CONTRACTOR SHALL VERIFY ALL DIMENSIONS, DATUMS AND LEVELS.
THE CONTRACTOR SHALL BE RESPONSIBLE FOR OBTAINING ALL NECESSARY PERMITS.
THIS DRAWING IS THE EXCLUSIVE PROPERTY OF NEIL COOPER ARCHITECT INC AND ANY REPRODUCTION OR DISSEMINATION TO ANY OTHER PARTY WITHOUT THE WRITTEN PERMISSION OF NEIL COOPER ARCHITECT INC IS PROHIBITED.
IN WHICH CASE THE REPRODUCTION MUST BEAM THEIR NAME AS THE ARCHITECTURAL FIRM.

POOL LINER DETAILS

PROJECT:
**KILDONAN PARK
URBAN OASIS**
WINNIPEG, MANITOBA

Neil Cooper Architect Inc.
10-395 Berry Street, Winnipeg, Manitoba R3J1N6

DRWING NO: AG
CHECKED BY:
DATE: August 20, 2009
SCALE: 1:250
SHEET NO: **A02PRO**
REV NO:
FILE: 08025/Cont. Doc./Cont. Dwg5/A1.1RO.dwg