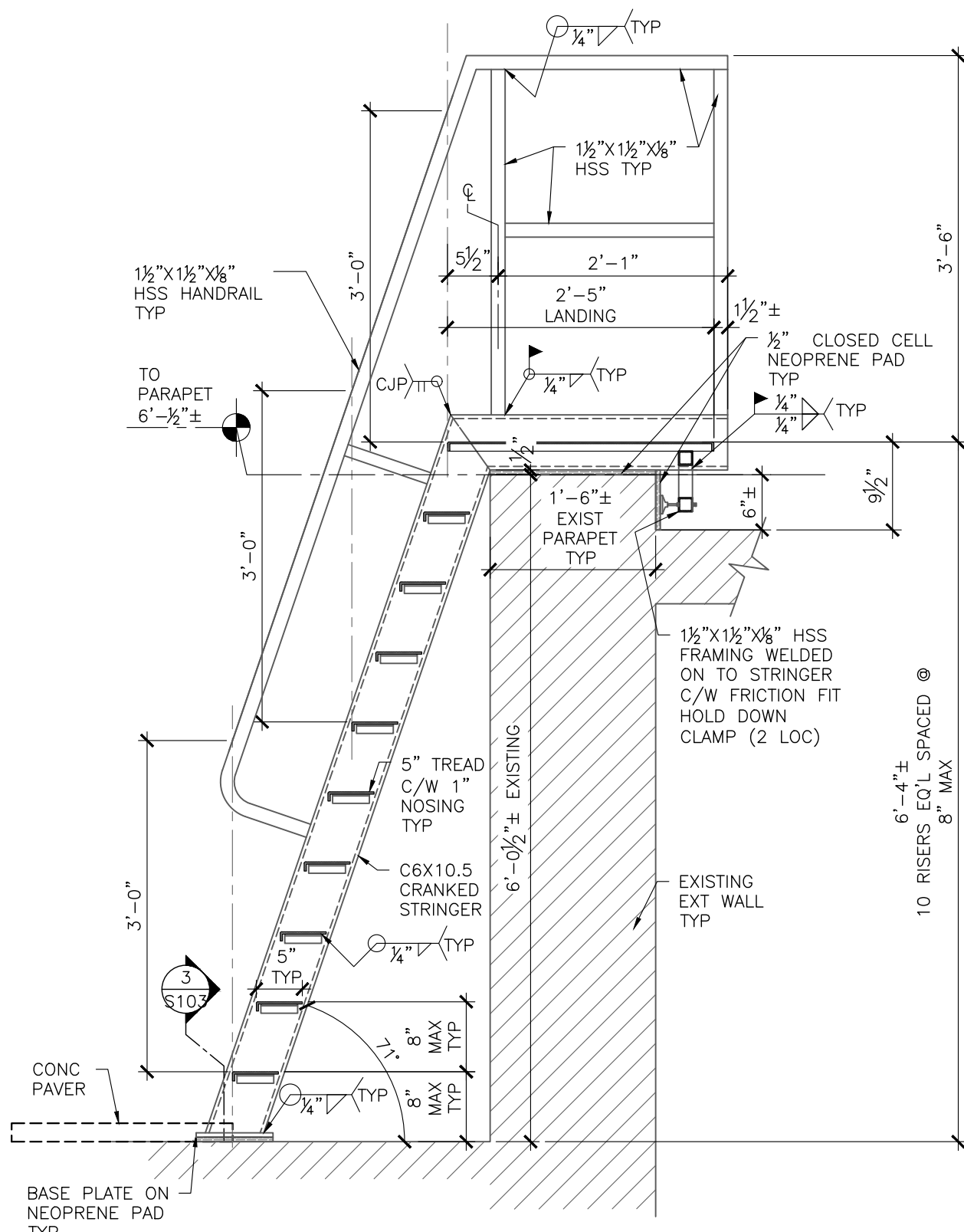
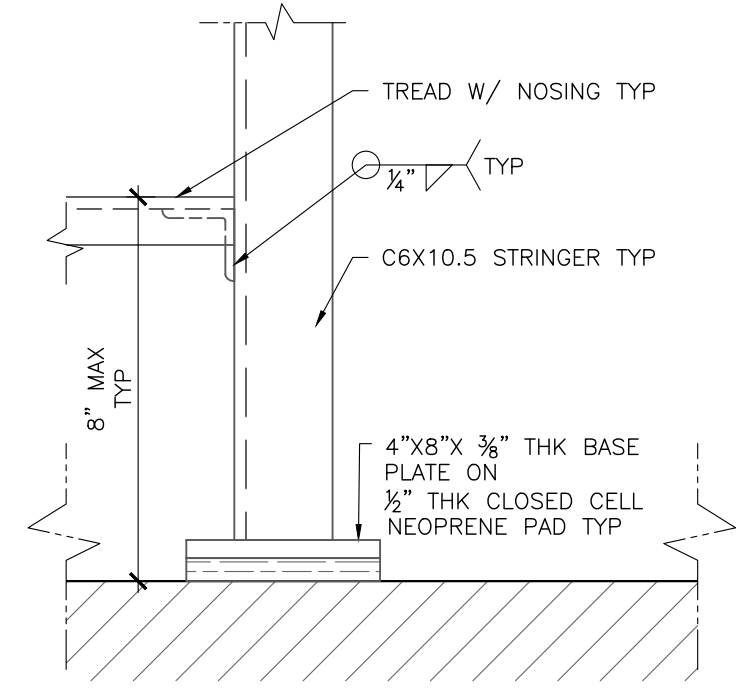


1 PLAN - SHIP'S LADDER-1
S103 SCALE: 1" = 1'-0"



2 SECTION
S103 SCALE: 3/4" = 1'-0"



3 DETAIL-TYP
S103 SCALE: 3" = 1'-0"

NOTE:
PROVIDE CAP PLATES AT HSS OPEN ENDS TYP.
CONTRACTOR TO VERIFY HT OF CURB & ADJUST THE LANDING TO SUIT.

ISSUED FOR CONSTRUCTION

NEW ROOF ACCESS SHIPS LADDER 195 TECUMSEH ST WINNIPEG MANITOBA R3E 3S3	 CHARLESON Engineering Ltd STRUCTURAL CONSULTANTS	103B-1479 BUFFALO PLACE WINNIPEG, MB R3T 1L7 PHONE NO : 204-895-1474		DESIGNED BY: KC	PROJECT #: 22110
		EMAIL: KEN@CHARLESONENG.CA		DRAWN BY: AMD	DATE: JUNE 21, 2023
		REVIEWED BY: KC	SCALE: AS SHOWN	S103	