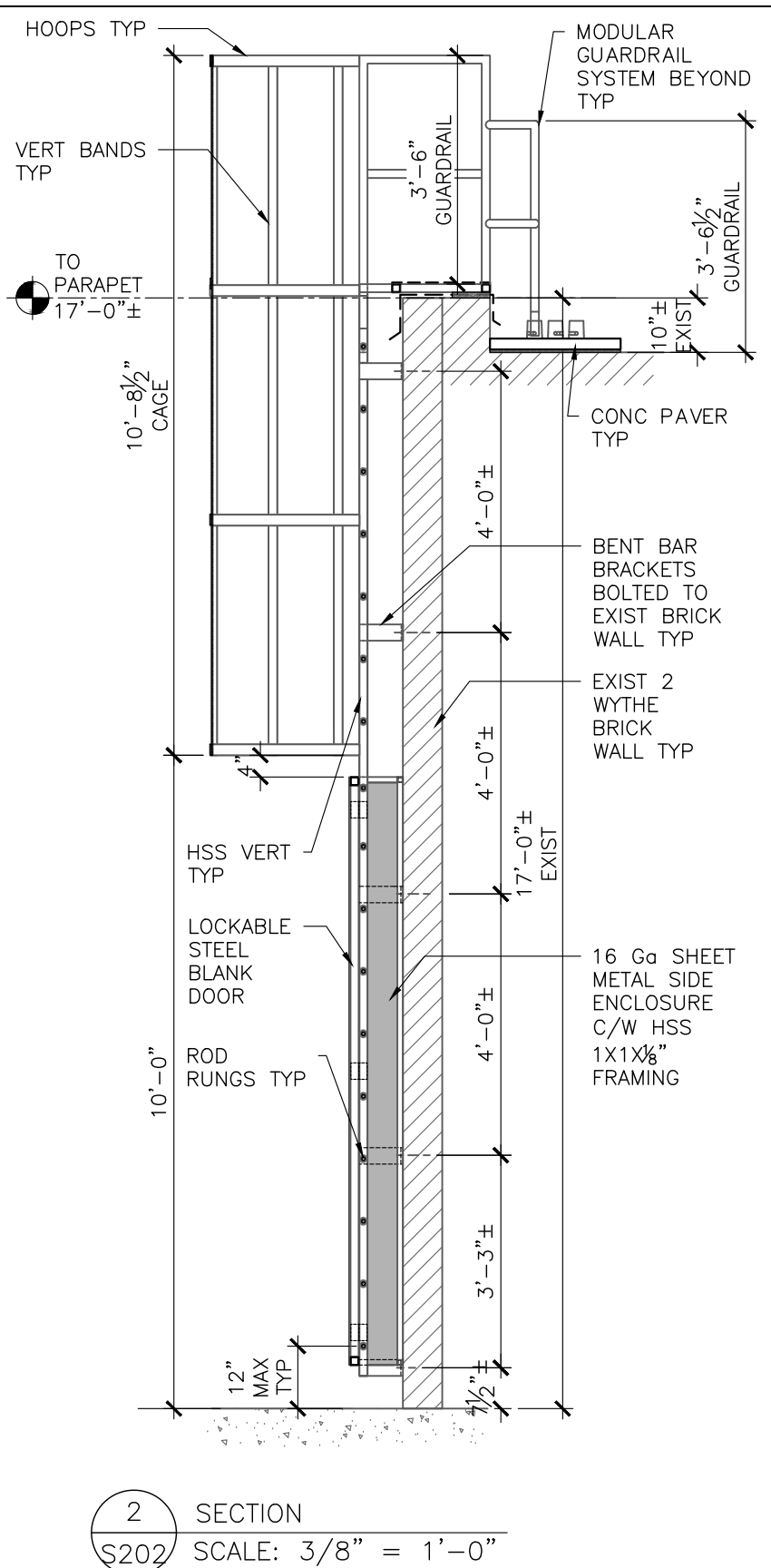
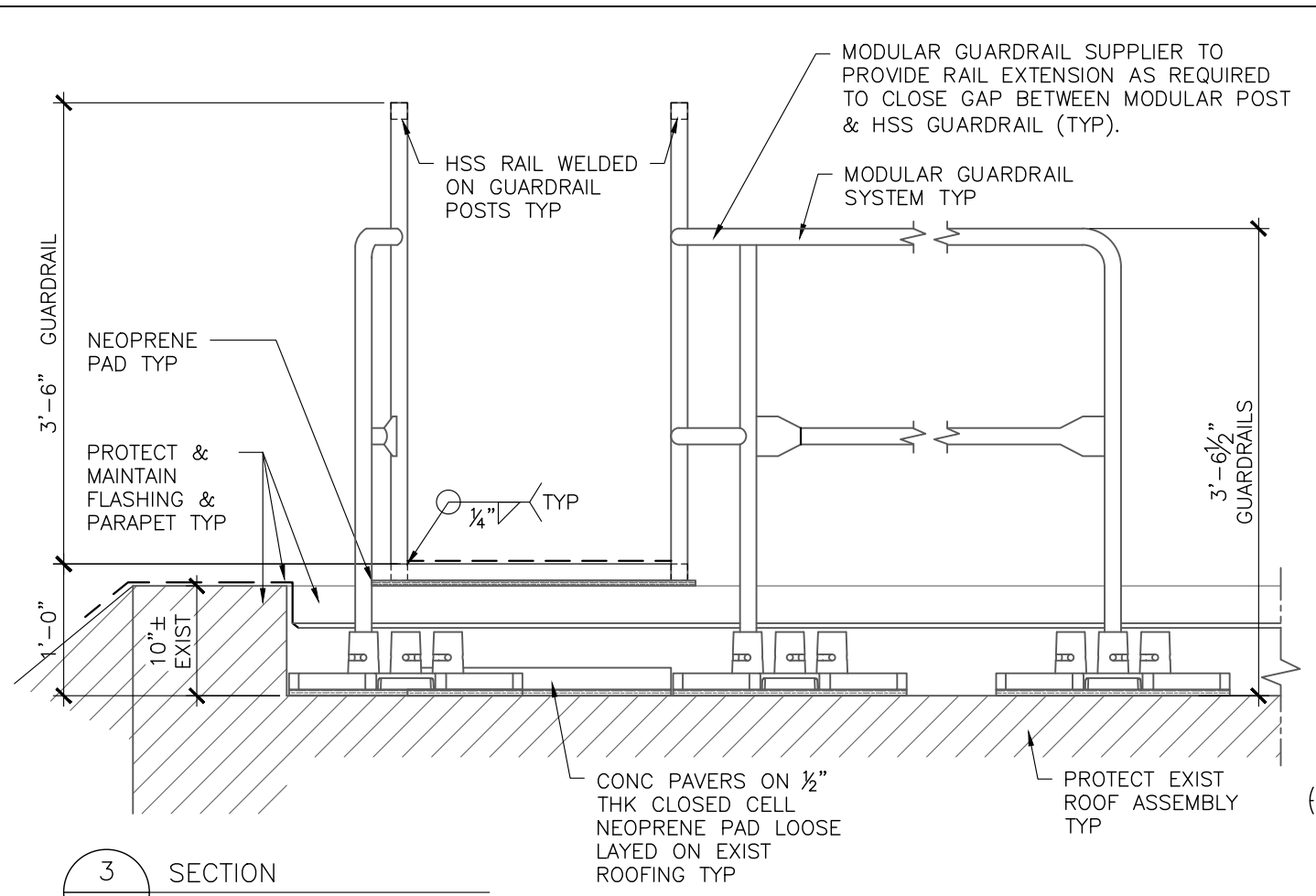


1 ELEVATION  
S202 SCALE: 3/8" = 1'-0"



2 SECTION  
S202 SCALE: 3/8" = 1'-0"



3 SECTION  
S202 SCALE: 3/4" = 1'-0"

NOTE:  
PROVIDE CAP PLATES AT HSS OPEN ENDS TYP.

CONTRACTOR TO VERIFY HT OF CURB & ADJUST THE LANDING TO SUIT.

ISSUED FOR CONSTRUCTION

<b>NEW ROOF ACCESS FIXED LADDER</b>  845 SARGENT WINNIPEG MANITOBA R3E 0C3	 <b>CHARLESON</b> Engineering Ltd STRUCTURAL CONSULTANTS	103B-1479 BUFFALO PLACE WINNIPEG, MB R3T 1L7 PHONE NO : 204-895-1474 EMAIL: KEN@CHARLESONENG.CA		DESIGNED BY: KC	PROJECT #: 22110
		DRAWN BY: AMD	DATE: JUNE 22,2023		
		REVIEWED BY: KC	SCALE: AS SHOWN	S202	