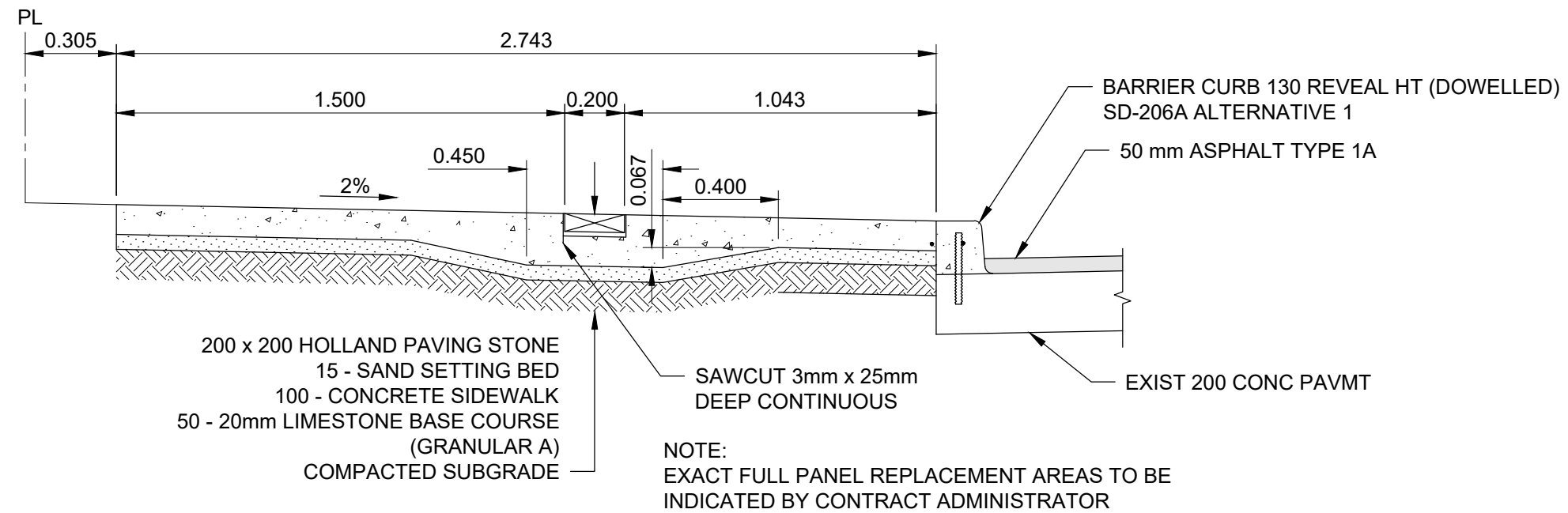


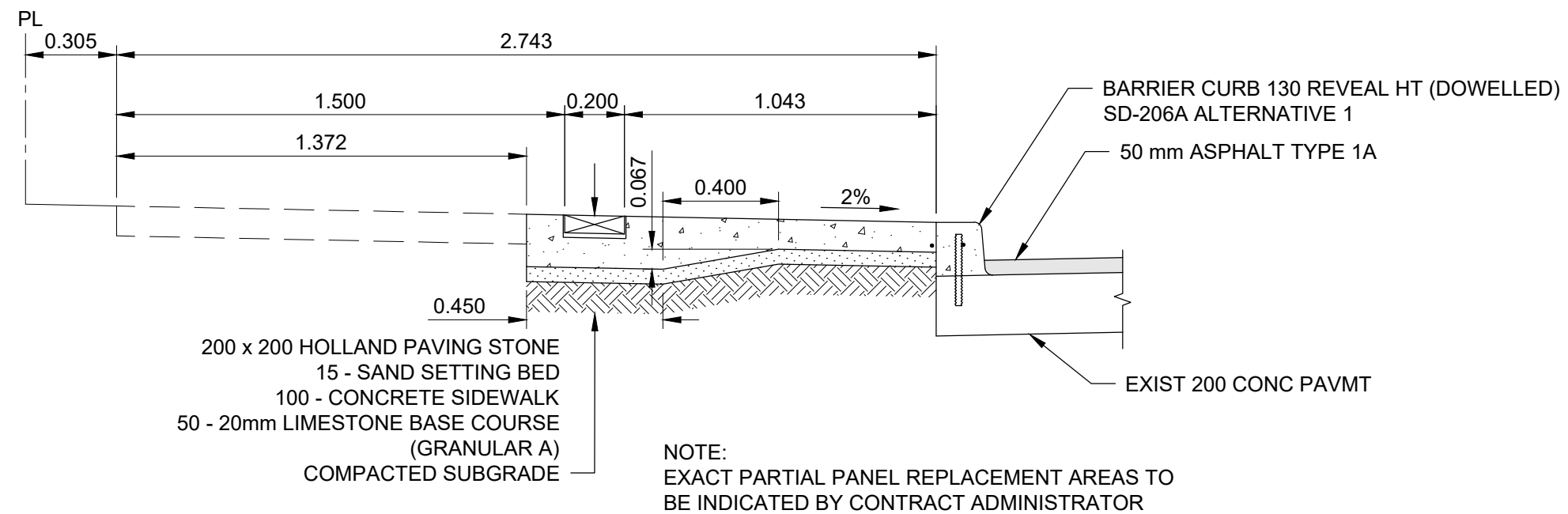
## **APPENDIX D**

# **NORTH SIDEWALK SECTION DRAWINGS – FULL AND PARTIAL REPLACEMENTS**



**NORTH SIDEWALK SECTION - FULL REPLACEMENT**

N.T.S.



**NORTH SIDEWALK SECTION - PARTIAL REPLACEMENT**

N.T.S.