

**CEILING GENERAL NOTES:**

1. ALL GYPSUM BOARD CEILINGS AND BULKHEADS TO RECEIVE PAINT FINISH UNLESS OTHERWISE NOTED.

**CEILING ABBREVIATIONS:**

- ACB ACOUSTIC CEILING BAFFLES
- ACS ACOUSTIC CEILING UNITS ON SUSPENSION SYSTEM
- AP ACCESS PANEL
- CJ CONTROL JOINT
- EP EPOXY PAINT
- ES EXPOSED STRUCTURE
- GB SUSPENDED GYPSUM BOARD CEILING
- GBBH GYPSUM BOARD BULKHEAD
- HP HIGH POINT
- P PAINT
- U UNFINISHED
- WD WOOD (CEDAR)
- X EXISTING

**RCP LEGEND:**

- RECESSED LUMINAIRE
- SURFACE MOUNTED LUMINAIRE
- SUSPENDED LINEAR LUMINAIRE
- RECESSED DOWNLIGHT LUMINAIRE
- WALL MOUNTED LUMINAIRE
- WALL MOUNTED EXIT LIGHT
- CEILING MOUNTED EXIT LIGHT
- SUPPLY AIR DIFFUSER
- RETURN AIR / EXHAUST GRILLE
- RADIANT PANEL
- SPEAKER
- CEILING ACCESS PANEL

**RCP KEYNOTES:**

- LAMINATED GLASS BARRIER FROM RECEPTION DESK TO CEILING (REFER TO SECTION 7/A9.2)
- CEILING MOUNTED PATIENT LIFT, REFER TO STRUCTURAL FOR MOUNTING DETAILS.
- NEW DUCT WORK: INSTALL LOW ACS AS TIGHT AS POSSIBLE AGAINST DUCTWORK. FINAL PLAUSSIBLE HEIGHT OF ACS WILL DICTATE LOW CEILING HEIGHT ALONG SOUTH WALL IN POOL DECK.
- INSTALL ACS-1 ALONG SUSPENDED CEILING SYSTEM BORDER TO AVOID THE INSTALLATION OF ACS TILES SMALLER THAN 250QT.
- FIXED SOUND-ABSORPTIVE WALL PANELS. REFER TO INTERIOR ELEVATIONS FOR SHAPE AND LAYOUT.
- SUPPLY AND INSTALL NEW 6MM SOLID SURFACE MATERIAL SHROUD WHERE OLD PVC SHROUD WAS REMOVED BETWEEN GRID LINE X1 AND X9. REFER TO WALL SECTION 1/A5.1 FOR HEIGHT.
- POOL TANK BELOW SHOWN WITH DASHED LINE

No.	Date	Issue / Revision	By
1	23/01/2024	ISSUED FOR ADDENDUM 2	JF
0	22/12/2023	ISSUED FOR CONSTRUCTION	CF

Drawn By: DN  
 Printing Date: JAN. 23, 2024

Drawings and specifications, as Instruments of service are the property of the architects, the copyright in the same being reserved to them. No reproduction may be made without the permission of the architects, and when made, must bear their names. All prints to be returned.

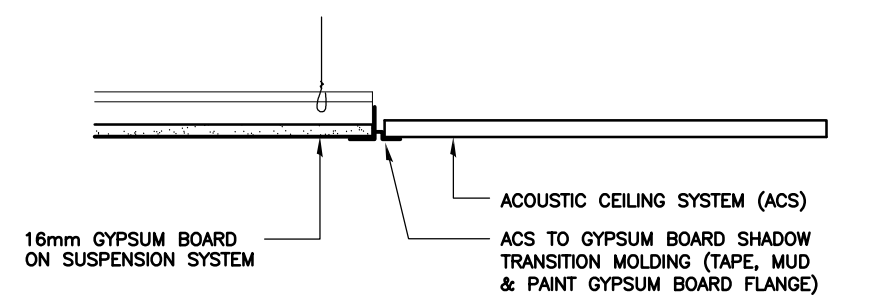
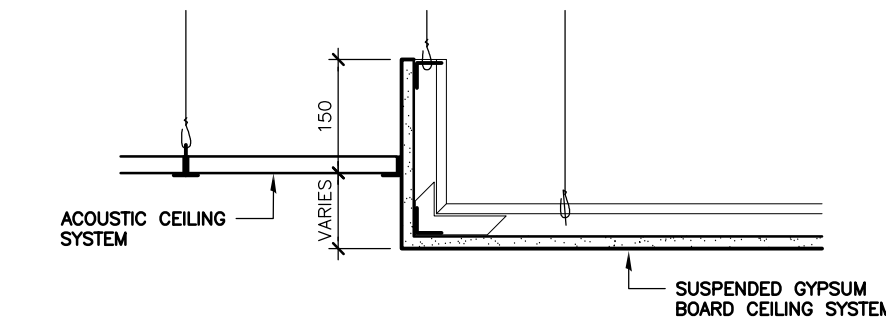
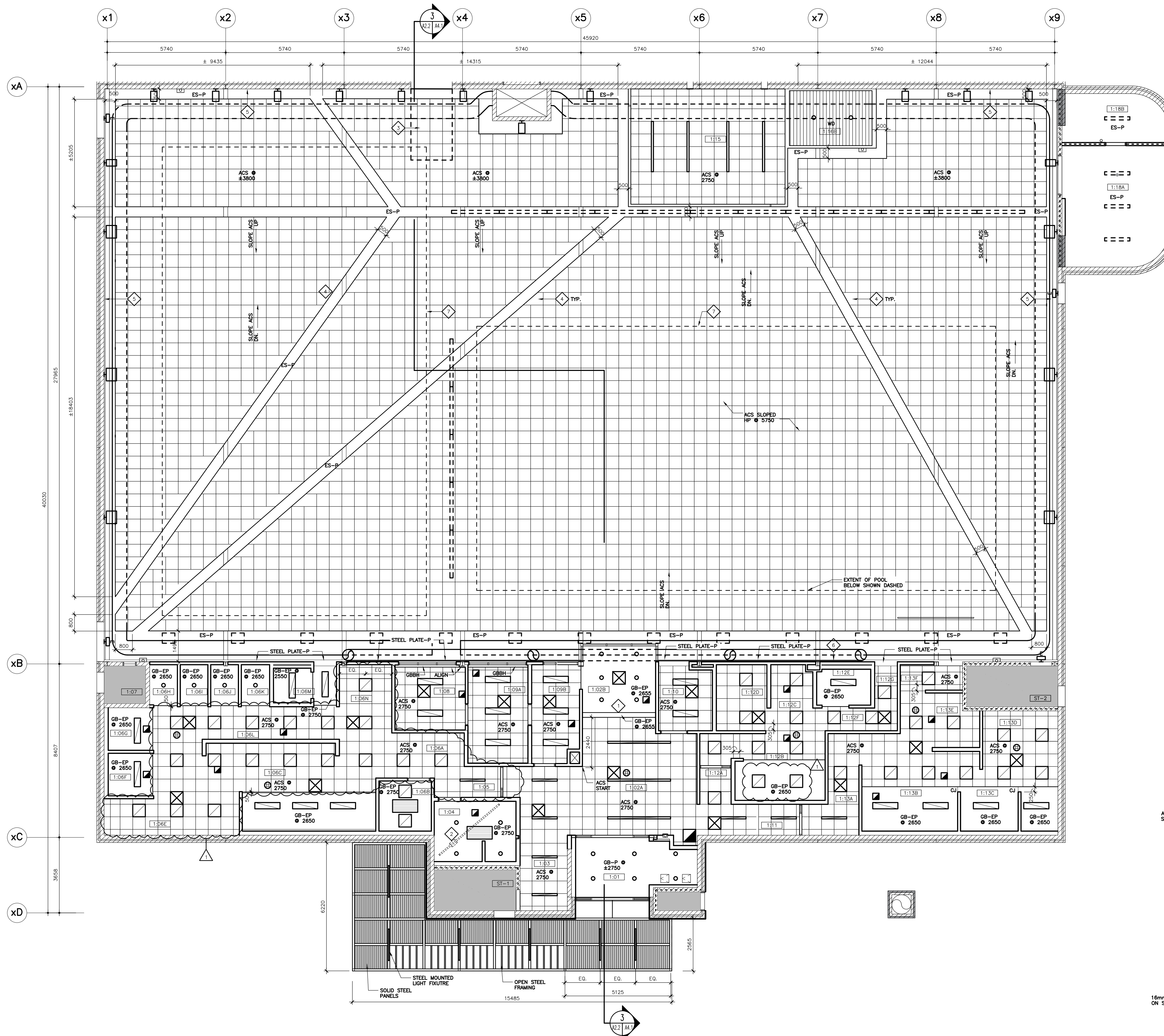
The contractor is to verify dimensions and data noted herein with conditions on the site and is held responsible for reporting any discrepancy to the architects for adjustment.

**LM Architectural Group**  
 500-136 Market Ave  
 Winnipeg, Manitoba, Canada R3B 0P4  
 t: (204) 942.0681 f: (204) 943.8676  
 www.lm-architects.com

**CITY OF WINNIPEG  
 BONIVITAL POOL RENEWAL**

1215 Archibald St, Winnipeg, MB.

**MAIN FLOOR  
 REFLECTED CEILING  
 PLAN**



**MAIN FLOOR RENOVATION RCP**  
 SCALE: 1 : 100