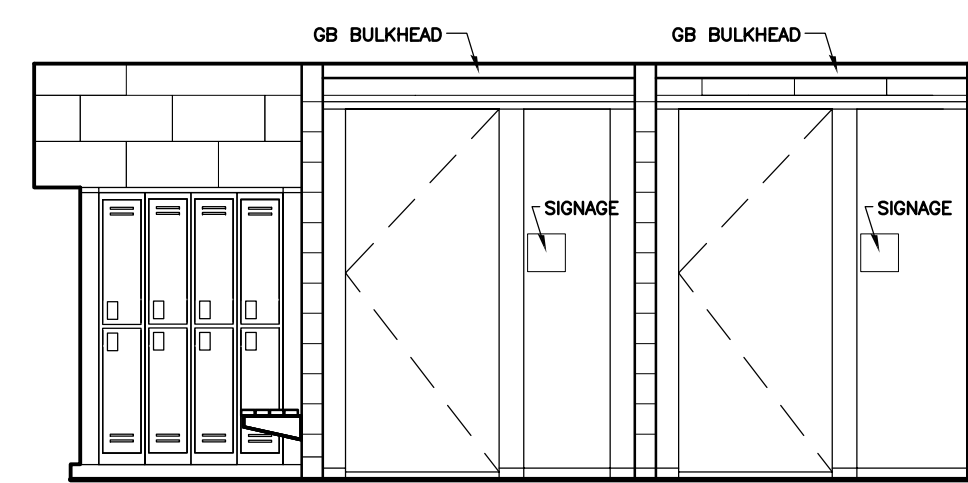
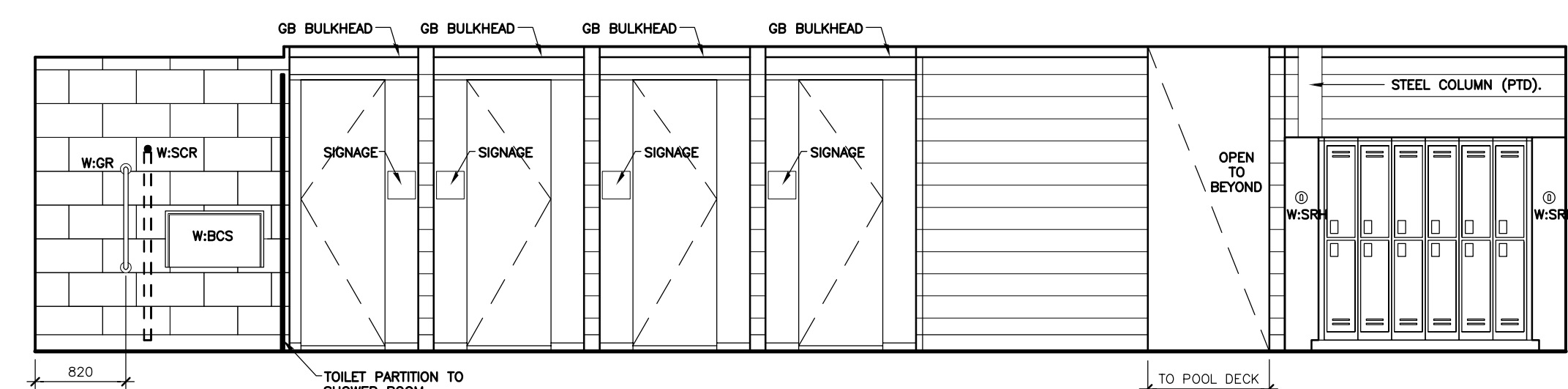


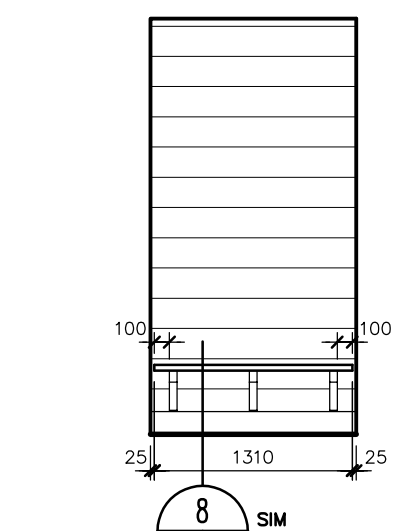
1 CORR. 1:06L
7.1 | 8.2 | 1:50



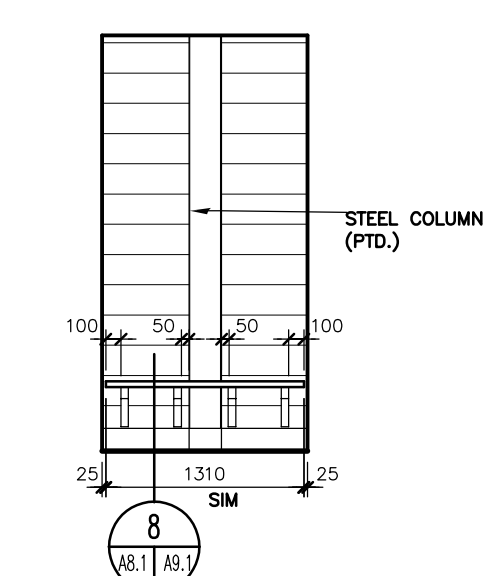
2 CORR. 1:06L
7.1 | 8.2 | 1:50



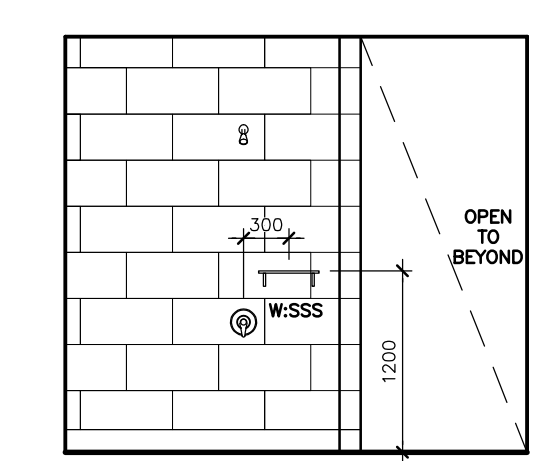
3 CORR. 1:06L
7.1 | 8.2 | 1:50



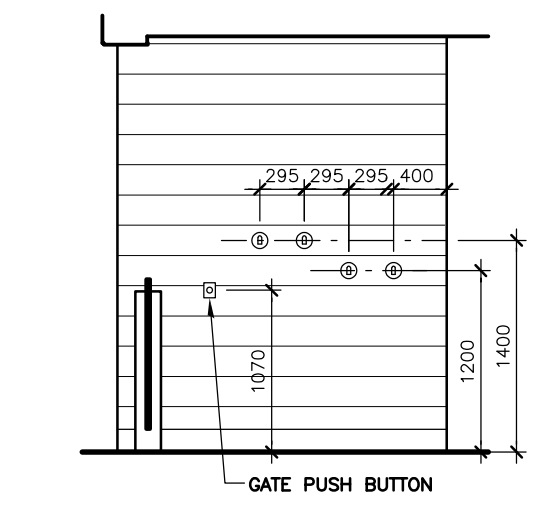
4 CHANGE 1:06I
7.1 | 8.2 | 1:50



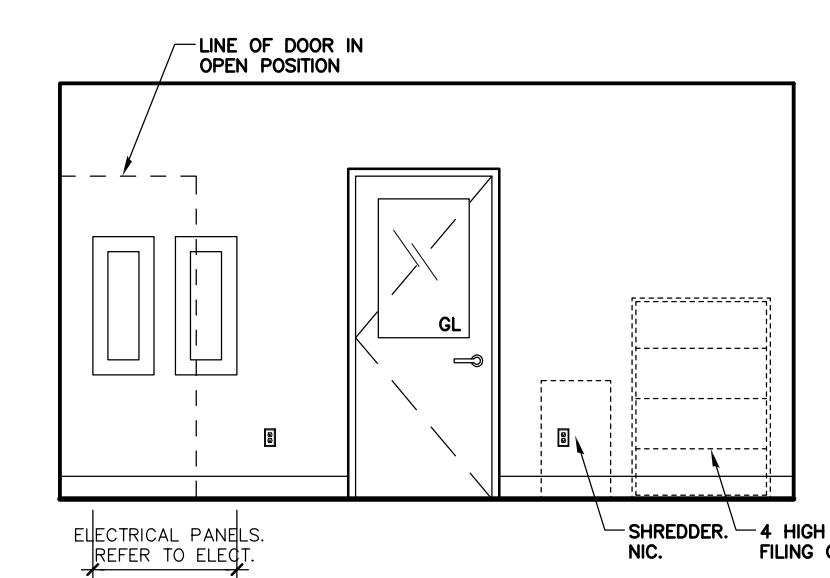
5 CHANGE 1:06J
7.1 | 8.2 | 1:50



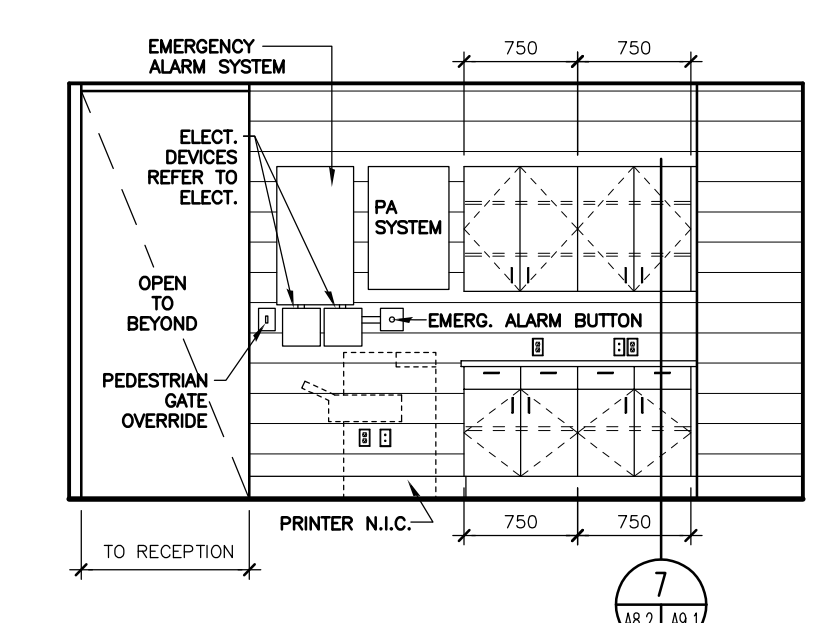
6 SHWRS. 1:06M
7.1 | 8.2 | 1:50



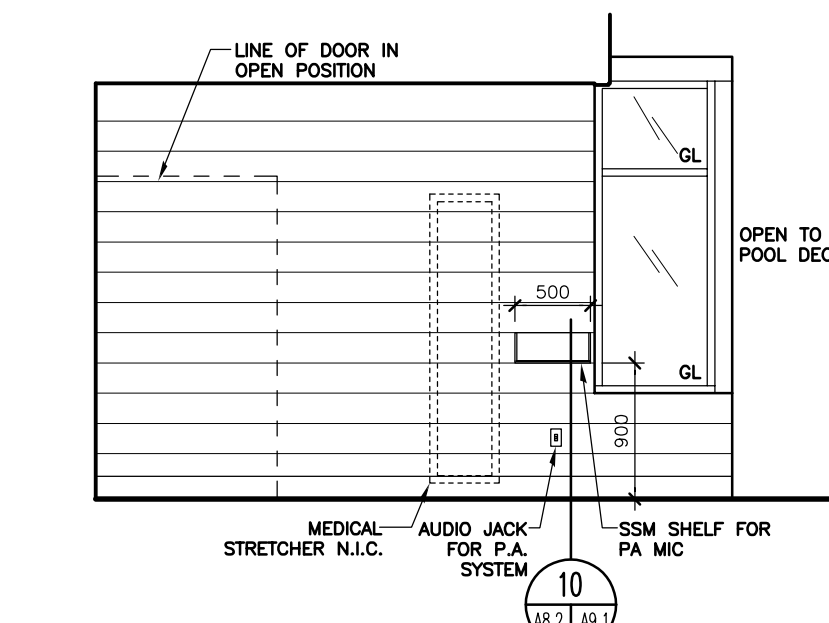
7 CORR. 1:06L
7.1 | 8.2 | 1:50



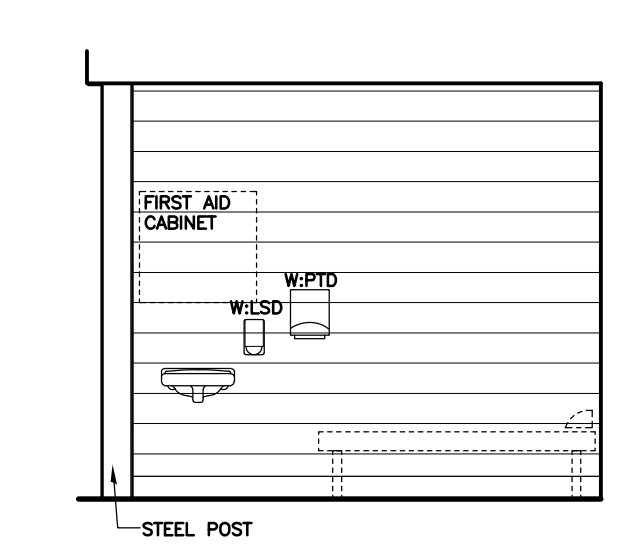
8 COPY AREA 1:09B
7.1 | 8.2 | 1:50



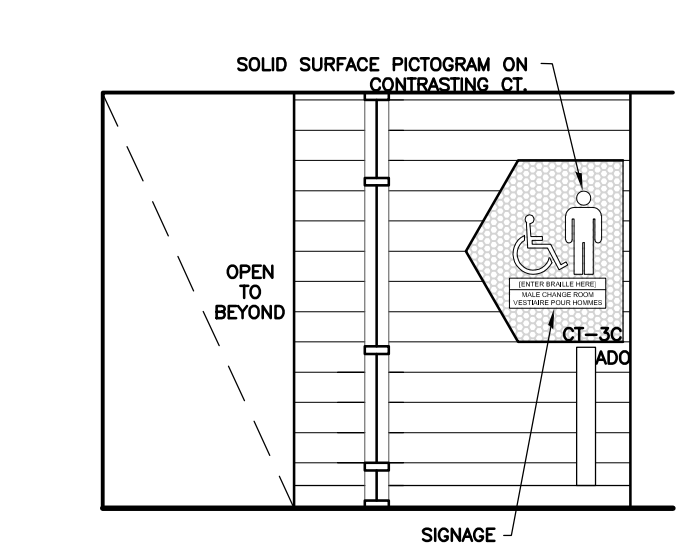
9 COPY AREA 1:09B
7.1 | 8.2 | 1:50



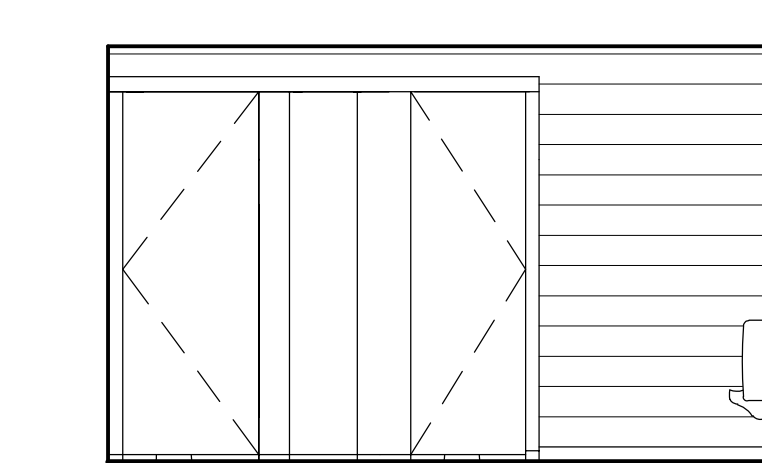
10 FIRST AID 1:10
7.1 | 8.2 | 1:50



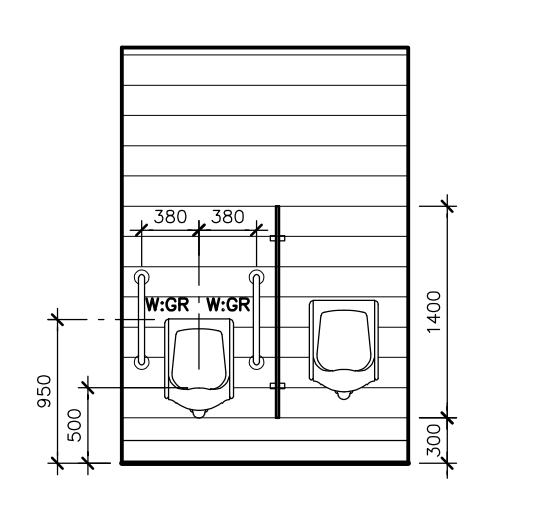
11 FIRST AID 1:10
7.1 | 8.2 | 1:50



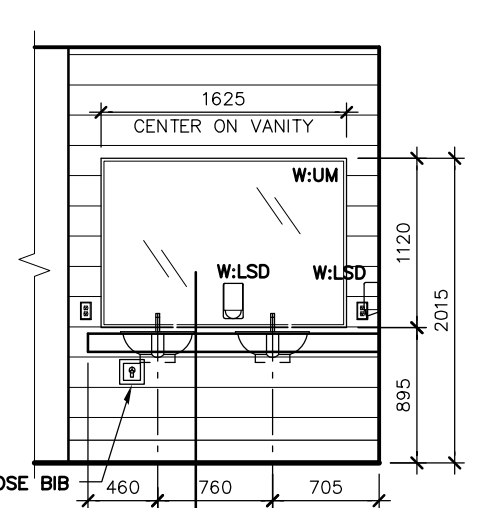
12 M. CHG. CORR. 1:12A
7.2 | 8.2 | 1:50



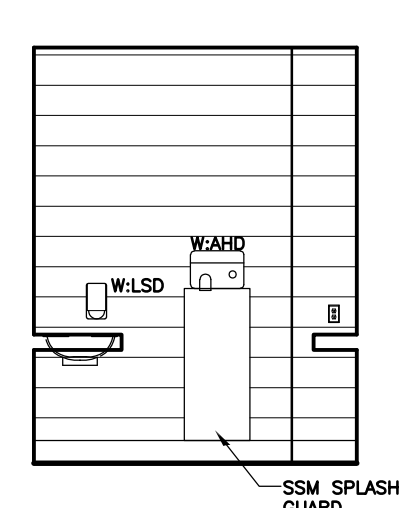
13 WSHRM. 1:12B
7.2 | 8.2 | 1:50



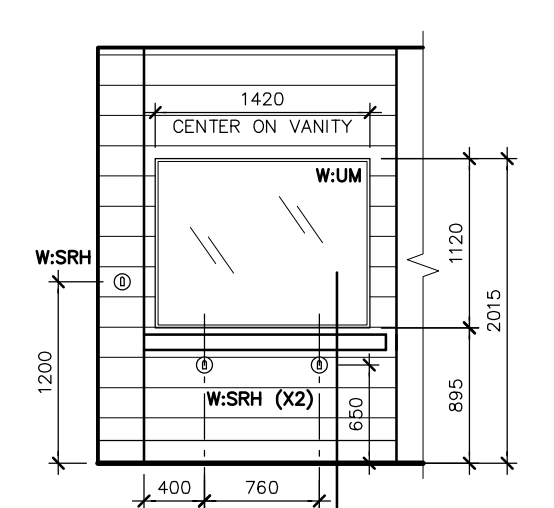
14 WSHRM. 1:12B
7.2 | 8.2 | 1:50



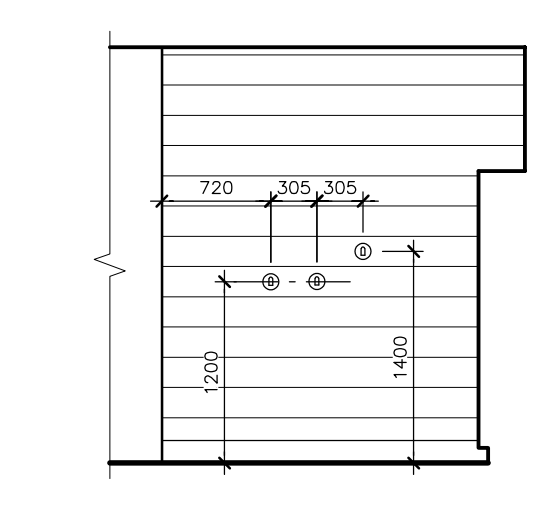
15 GRMG. 1:12C
7.2 | 8.2 | 1:50



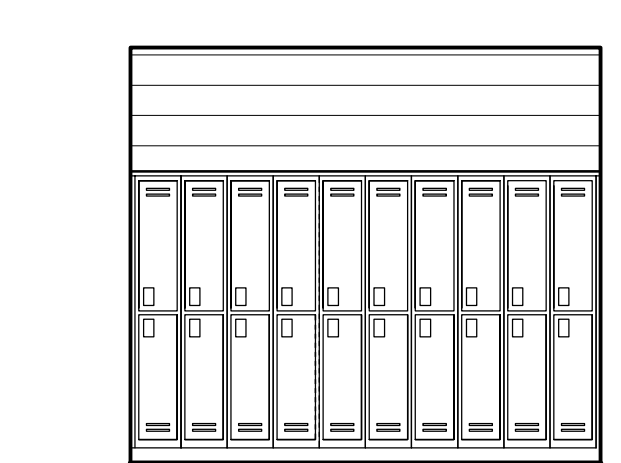
16 GRMG. 1:12C
7.2 | 8.2 | 1:50



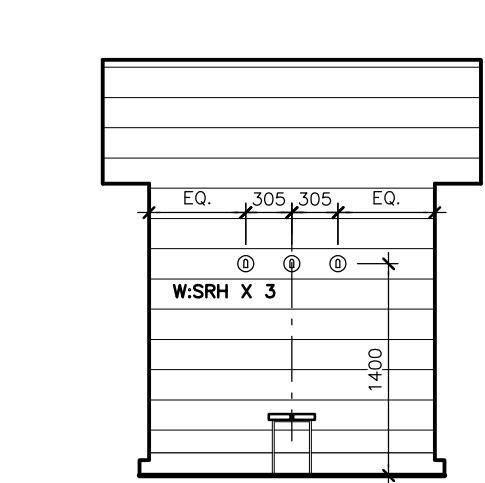
17 GRMG. 1:12C
7.2 | 8.2 | 1:50



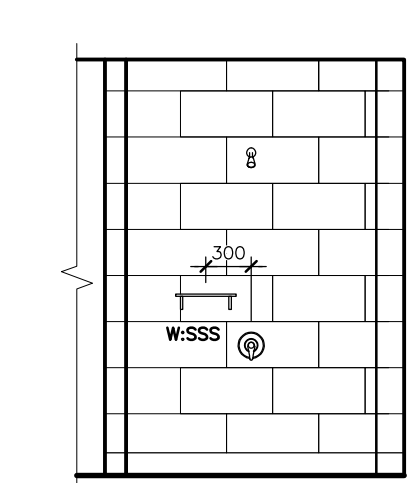
18 LOCKERS 1:12D
7.2 | 8.2 | 1:50



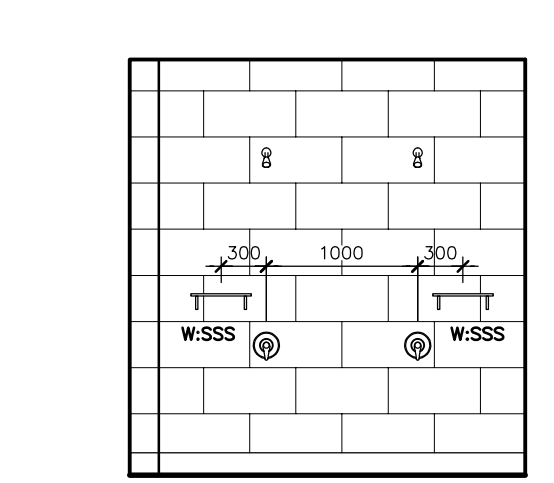
19 LOCKERS 1:12D
7.2 | 8.2 | 1:50



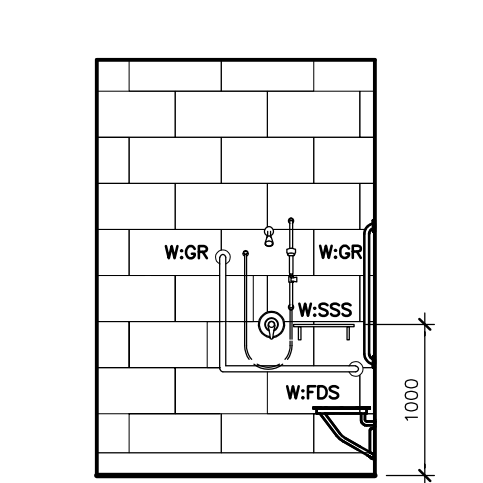
20 LOCKERS 1:12D
7.2 | 8.2 | 1:50



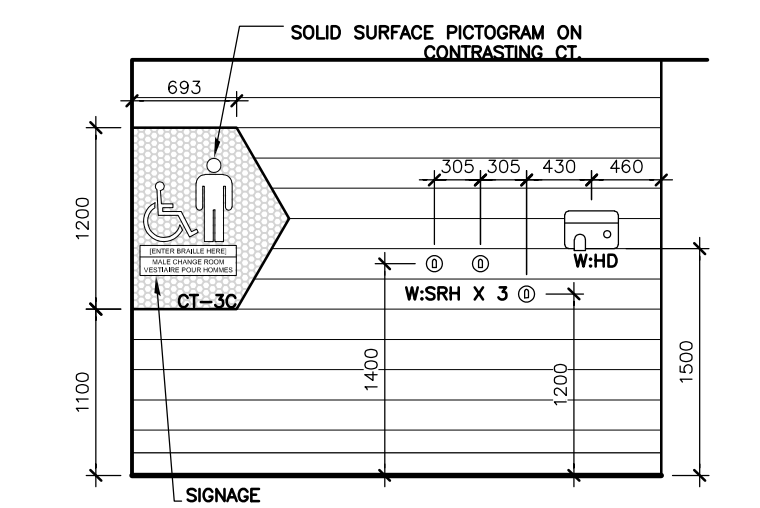
21 SHWRS. 1:12E
7.2 | 8.2 | 1:50



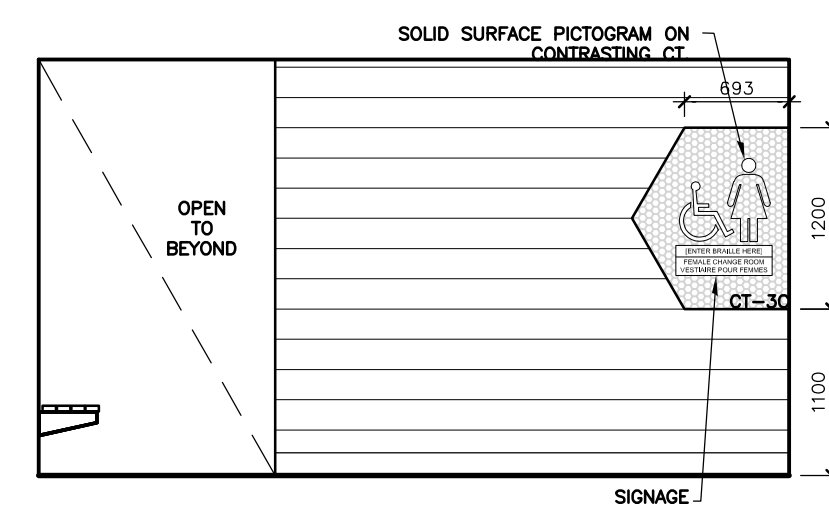
22 SHWRS. 1:12E
7.2 | 8.2 | 1:50



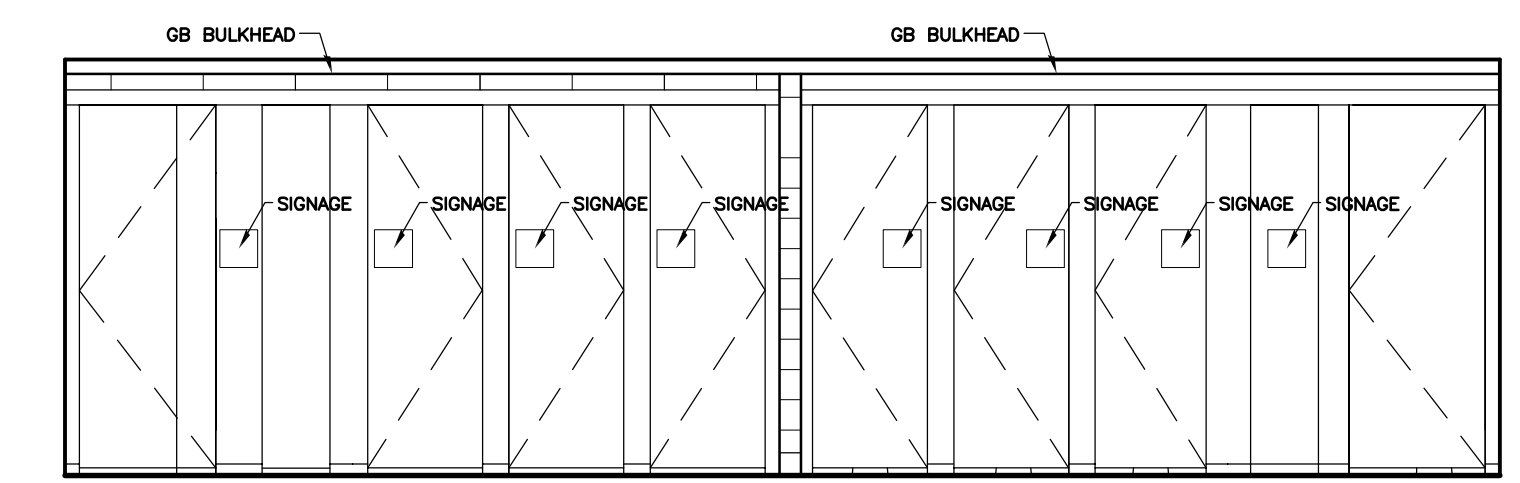
23 SHWRS. 1:12E
7.2 | 8.2 | 1:50



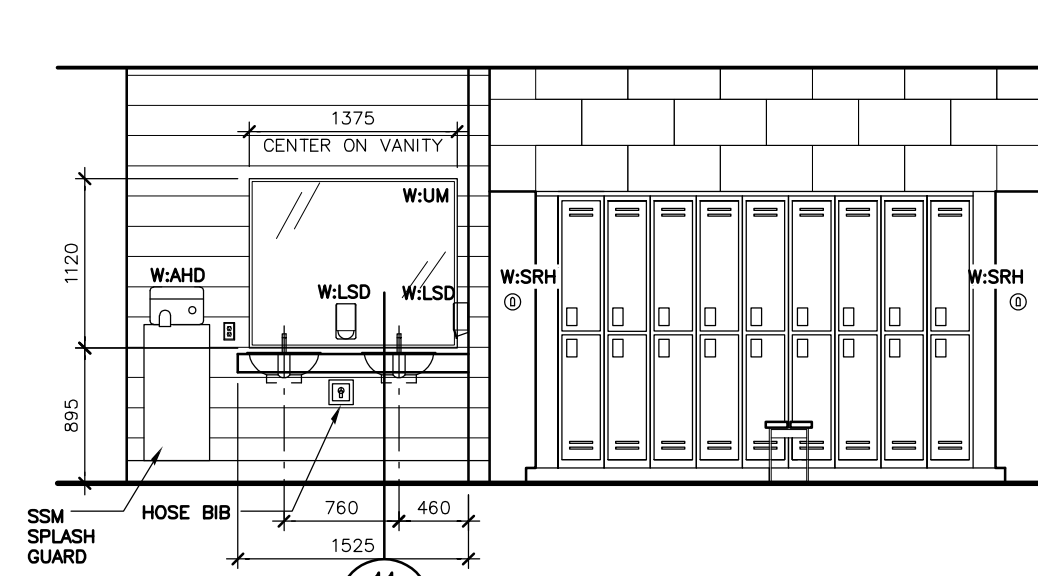
24 CORR. 1:12F
7.2 | 8.2 | 1:50



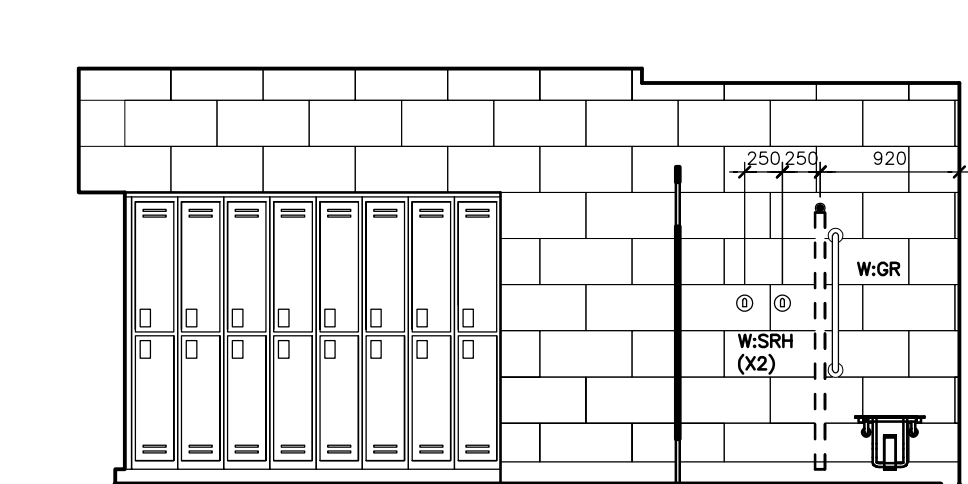
25 F. CHG. CORR. 1:13A
7.2 | 8.2 | 1:50



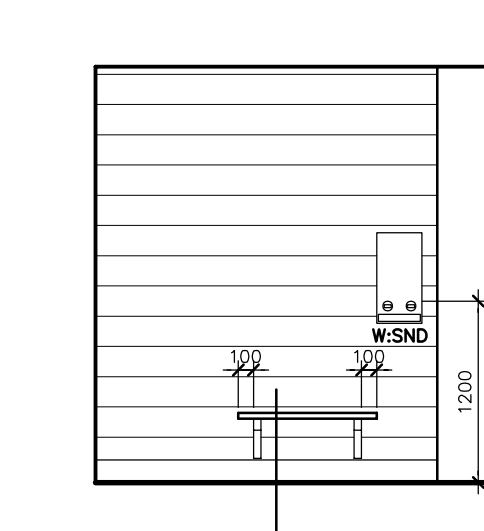
26 WSHRM. 1:13B
7.2 | 8.2 | 1:50



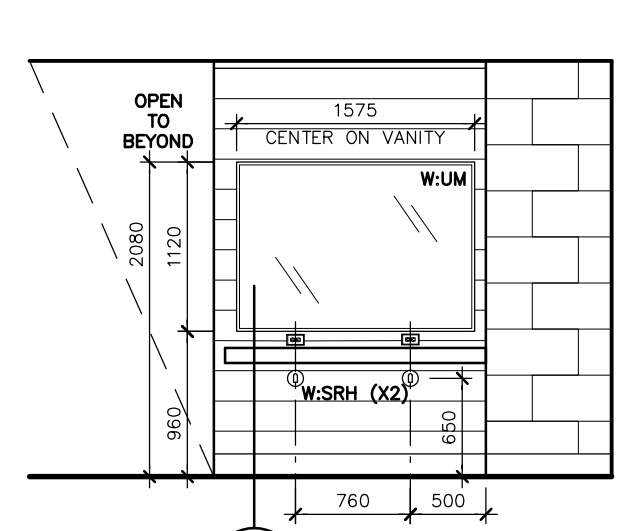
27 WSHRM. 1:13B
7.2 | 8.2 | 1:50



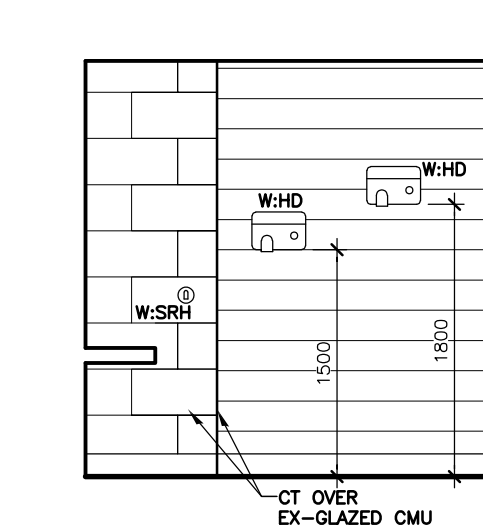
28 SHWRS. 1:13C
7.2 | 8.2 | 1:50



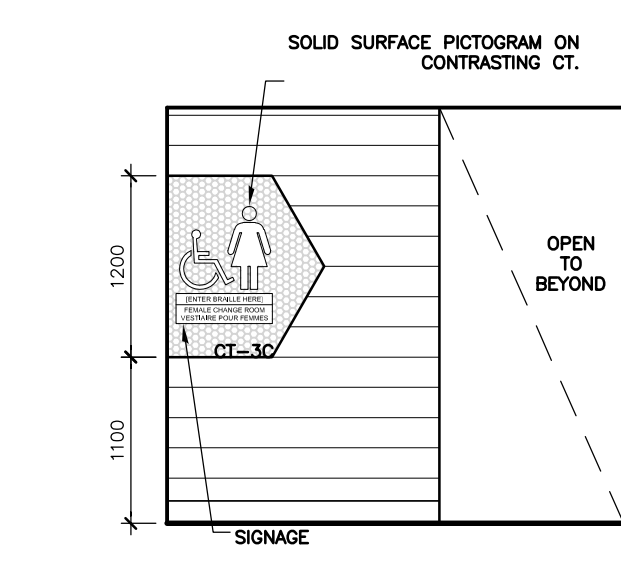
29 GRMG. 1:13E
7.2 | 8.2 | 1:50



30 GRMG. 1:13F
7.2 | 8.2 | 1:50



31 GRMG. 1:13E
7.2 | 8.2 | 1:50



32 CORR. 1:13F
7.2 | 8.2 | 1:50

GENERAL NOTES

- FURNITURE AND EQUIPMENT THAT ARE NOT IN CONTRACT (NIC) ARE INDICATED WITH A DASHED LINE, AND ARE SHOWN FOR INFORMATION PURPOSES ONLY EXCEPT WHERE OTHERWISE INDICATED.
- PROVIDE WOOD BLOCKING CONCEALED IN WALL FOR ALL FURNITURE, EQUIPMENT AND ACCESSORIES MOUNTED AND/OR SECURED TO WALL. TYPICAL OF ALL IN CONTRACT, NOT IN CONTRACT (NIC) AND OWNER FURNISHED PRODUCTS (OFP). CONFIRM EXACT LOCATION OF BLOCKING WITH CONSULTANT PRIOR TO INSTALLATION.

WALL MOUNTED ACCESSORIES LEGEND

REFER TO SPECIFICATIONS SECTION 10 28 00

- W.A.C.S. ADULT CHANGE STATION
- W.A.H.D. AIR HAND DRYER
- W.B.C.S. BABY CHANGE STATION
- W.F.D.S. FOLD DOWN SEAT
- W.F.M.# FRAMED MIRROR
- W.G.R.# GRAB RAIL
- W.H.D. HAIR DRYER
- W.H.S.D. HAND SANITIZER DISPENSER
- W.L.S.D. LIQUID SOAP DISPENSER
- W.M.B.R. MOP BROOM RACK
- W.N.T.W. NAPKIN/TAMPON WASTE
- W.P.T.D. PAPER TOWEL DISPENSER
- W.S.D. SHARPS DISPOSAL
- W.S.C.R. SHOWER CURTAIN ROD (C/W CURTAIN)
- W.S.H.D. SANITARY NAPKIN DISPENSER
- W.S.R.H. SAFETY ROBE HOOK
- W.S.S.S. STAINLESS STEEL SHELF
- W.T.P.D. TOILET PAPER DISPENSER
- W.U.M. UNFRAMED MIRROR

ABBREVIATIONS LEGEND

- A.D.O. AUTOMATIC DOOR OPERATOR
- E.C.S. EMERGENCY CALL SWITCH
- F.A.P. FIRE ALARM PANEL
- F.D. FLOOR DRAIN
- F.E. FIRE-EXTINGUISHER
- L.F. LIGHT FIXTURE
- L.G. LAMINATED GLASS
- L.K. LOCKERS
- N.I.C. NOT IN CONTRACT
- P.L.A.M. PLASTIC LAMINATE
- S.G. SAFETY GLASS
- S.I.M. SIMILAR
- S.S.M. SOLID SURFACE MATERIAL
- T.V. TELEVISION
- T.Y.P. TYPICAL
- W./M. WALL MOUNTED
- X. EXISTING

1	23/01/2024	ISSUED FOR ADDENDUM 2	JF
0	22/12/2023	ISSUED FOR CONSTRUCTION	CF
No.	Date	Issue / Revision	By

Drawn By: DN
Printing Date: JAN. 22, 2024

Drawings and specifications, as instruments of service are the property of the architects, the copyright in the same being reserved to them. No reproduction may be made without the permission of the architects, and when made, must bear their names. All prints to be returned.

The contractor is to verify dimensions and data noted herein with conditions on the site and is held responsible for reporting any discrepancy to the architects for adjustment.

LM Architectural Group
500-136 Market Ave
Winnipeg, Manitoba Canada R3B 0P4
t: (204) 942-0681 f: (204) 943-8676
www.lm-architects.com

CITY OF WINNIPEG BONIVITAL POOL RENEWAL

1215 Archibald St, Winnipeg, MB.

INTERIOR ELEVATIONS