

CLASSIFICATION: FURNITURE	SPECIFICATION SECTION:	12500
----------------------------------	-------------------------------	--------------

FURNITURE TYPE: T-W2

DESCRIPTION: Work Table **SIZE:** 54"W X 30"D X 29"H
LOCATION: Refer to Location Summary/Furniture Plan **TOTAL QUANTITY:** 3

FEATURES:	VALUE	COMMENTS:
Base / Leg	X T-base Bullet Foot Pedestal	
Top	Wood X Plastic Laminate	Plastic Laminate in 2 grades above standard grade. Colour: Available in at least 5 standard colour offerings. Shape: Rectangular. Table to have Daisy chaining power compatibility. Power to run in cableway under tabletop and each table to have duplex power receptacle. Power to be accommodated in rows of tables as indicated on Furniture layout.
Edge	Wood X PVC Plastic Laminate	

LOCATION SUMMARY				
Furn. Code	Item Description	Room No.	Room Name	Qty.
T-W2	WORK TABLE	215	OFFICE	3

ACCEPTABLE PRODUCTS

MANUFACTURER: KI
MODEL NO: -
SERIES: Pirouette



ALTERNATE PRODUCTS WILL BE CONSIDERED
 IMAGES MAY NOT REPRESENT SPECIFIED ITEM
 WARRANTY TO BE AT LEAST 10 YEARS ON PARTS

END OF SECTION

SPECIFICATION LISTING
NEW WFPS AMALGAMATED STATION 9 – 1083 AUTUMNWOOD DRIVE

CLASSIFICATION: FURNITURE	SPECIFICATION SECTION:	12500
----------------------------------	-------------------------------	--------------

FURNITURE TYPE: T-W1

DESCRIPTION: <u>Work Table</u>	SIZE: <u>42"W X 24"D X 29.5"H</u>
LOCATION: <u>Refer to Location Summary/Furniture Plan</u>	TOTAL QUANTITY: <u>10</u>

FEATURES:	VALUE	COMMENTS:
Base / Leg	T-base Bullet Foot <input checked="" type="checkbox"/> End Panel	Legs to be at least 30" apart to accept existing chair. Chair to be accommodated: 19"Hx23"Dx32"H.
Top	Wood <input checked="" type="checkbox"/> Plastic Laminate	Plastic Laminate in 2 grades above standard grade. Colour: Grey. Shape: Rectangular. Provide Gromet and plug/convenience receptacle.
Edge	Wood <input checked="" type="checkbox"/> PVC Plastic Laminate	PVC edge of at least 2mm thick, to match top.

LOCATION SUMMARY				
Furn. Code	Item Description	Room No.	Room Name	Qty.
T-W1	WORK TABLE	MULTIPLE	SLEEP QUARTERS	10

BASIS OF DESIGN PRODUCT

MANUFACTURER: Global
MODEL NO: A2442T
SERIES: Adaptabilities

ALTERNATE PRODUCTS WILL BE CONSIDERED
 IMAGES MAY NOT REPRESENT SPECIFIED ITEM
 WARRANTY TO BE AT LEAST 10 YEARS ON PARTS



END OF SECTION

SPECIFICATION LISTING
NEW WFPS AMALGAMATED STATION 9 – 1083 AUTUMNWOOD DRIVE

CLASSIFICATION: FURNITURE	SPECIFICATION SECTION:	12500
----------------------------------	-------------------------------	--------------

FURNITURE TYPE: TS-1

DESCRIPTION:	Side Table	SIZE: 20"W X 20"D X 19"H
LOCATION:	Refer to Location Summary/Furniture Plan	TOTAL QUANTITY: 6

FEATURES:	VALUE	COMMENTS:
Base / Leg	T-base Bullet Foot Pedestal	Other: Metal legs at slight angle powder coated. Colour: Maple Wood
Top	Wood X Plastic Laminate	Plastic Laminate in 2 grades above standard grade. Colour: Available in at least 5 standard colour offerings. Shape: Rectangular
Edge	Wood X PVC Plastic Laminate	PVC edge of at least 2mm thick, to match top.
Certifications	ANSI/BIFMA	ANSI/BIFMA X5.5 ANSI/BIFMA X6.5

LOCATION SUMMARY				
Furn. Code	Item Description	Room No.	Room Name	Qty.
TS-1	SIDE TABLE	203	DAYROOM	6

BASIS OF DESIGN PRODUCT

MANUFACTURER: Coalesse
MODEL NO: 6
SERIES: CG_1



ALTERNATE PRODUCTS WILL BE CONSIDERED
 IMAGES MAY NOT REPRESENT SPECIFIED ITEM
 WARRANTY TO BE AT LEAST 10 YEARS ON PARTS

END OF SECTION

SPECIFICATION LISTING
NEW WFPS AMALGAMATED STATION 9 – 1083 AUTUMNWOOD DRIVE

CLASSIFICATION: FURNITURE	SPECIFICATION SECTION:	12500
----------------------------------	-------------------------------	--------------

FURNITURE TYPE: TR-2

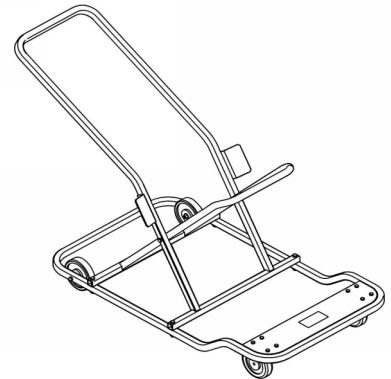
DESCRIPTION:	Side Chair Cart	SIZE: 25.5"W X 58.5"D X 58.5"H
LOCATION:	Refer to Location Summary/Furniture Plans	TOTAL QUANTITY: 3

FEATURES:	VALUE	COMMENTS:
Construction	X Full-Frame Steel Construction X Integral Base X Wear Resistant Finish	
Features	X Rolling	Ensure that dolly is compatible with CH-ST1. To match manufacturer of chair CH-ST1.
Material: Surface	X Steel	Baked enamel finish in standard metal range
Warranty	X Lifetime warranty	
Certification	X BIFMA	Level 3

LOCATION SUMMARY				
Furn. Code	Item Description	Room No.	Room Name	Qty.
TR-2	SIDE CHAIR CART	102A	STORAGE	3

BASIS OF DESIGN PRODUCT

MANUFACTURER: Steelcase
MODEL NO: -
SERIES: Move



ALTERNATE PRODUCTS WILL BE CONSIDERED
 IMAGES MAY NOT REPRESENT SPECIFIED ITEM
 WARRANTY TO BE AT LEAST 10 YEARS ON PARTS

END OF SECTION

CLASSIFICATION: FURNITURE **SPECIFICATION SECTION: 12500**

FURNITURE TYPE: T-F1

DESCRIPTION: Folding Table **SIZE:** 60"W X 30"D X 29"H
LOCATION: Refer to Location Summary/Furniture Plan **TOTAL QUANTITY:** 13

FEATURES:	VALUE	COMMENTS:
Base / Leg	T-base Bullet Foot <input checked="" type="checkbox"/> Castors Pedestal	Other: Metal prong leg at slight angle complete with power management in hollow column integrated with leg. Powder coated base available in at least 3 colours.
Top	Wood <input checked="" type="checkbox"/> Plastic Laminate	Plastic Laminate in 3 grades above standard grade. Shape: Rectangular. Available in at least 5 standard colour offerings.
Edge	Wood <input checked="" type="checkbox"/> PVC Plastic Laminate	PVC edge of at least 2mm thick, to match top.

LOCATION SUMMARY				
Furn. Code	Item Description	Room No.	Room Name	Qty.
T-F1	FLIPFLOP TRAINING TABLE	102	TRAINING ROOM	13

BASIS OF DESIGN PRODUCT

MANUFACTURER: KI _____
MODEL NO: - _____
SERIES: Pirouette _____

ALTERNATE PRODUCTS WILL BE CONSIDERED
 IMAGES MAY NOT REPRESENT SPECIFIED ITEM
 WARRANTY TO BE AT LEAST 10 YEARS ON PARTS



END OF SECTION

SPECIFICATION LISTING
NEW WFPS AMALGAMATED STATION 9 – 1083 AUTUMNWOOD DRIVE

CLASSIFICATION: FURNITURE	SPECIFICATION SECTION:	12500
----------------------------------	-------------------------------	--------------

FURNITURE TYPE: T-D2

DESCRIPTION:	Outdoor Dining Table	SIZE: 47.5"W X 31.5"D X 29.5"H
LOCATION:	Refer to Location Summary/Furniture Plan	TOTAL QUANTITY: 3

FEATURES:	VALUE	COMMENTS:
Base / Leg	T-base Bullet Foot X Pedestal	Powder coated base. Product to be suited for outdoor use. Product to be weighted. Colour: Black or Charcoal Grey to match CH-D2. Table to have adjustable feet (range: 0.75" - 1.5")
Top	Wood X Metal Fiberglass	Shape: Rectangular. Colour: Black or Charcoal Grey to match CH-D2. Product to be suited for outdoor use.
Edge	Wood PVC Plastic Laminate Fiberglass X Other	Integrated metal edge

LOCATION SUMMARY				
Furn. Code	Item Description	Room No.	Room Name	Qty.
T-D2	DINING TABLE - OUTDOOR	201	OUTDOOR AREA	3

BASIS OF DESIGN PRODUCT

MANUFACTURER: Coalesse
MODEL NO: CO2474
SERIES: EMU Round - Rectangle Table



ALTERNATE PRODUCTS WILL BE CONSIDERED
 IMAGES MAY NOT REPRESENT SPECIFIED ITEM
 WARRANTY TO BE AT LEAST 10 YEARS ON PARTS

END OF SECTION

SPECIFICATION LISTING
NEW WFPS AMALGAMATED STATION 9 – 1083 AUTUMNWOOD DRIVE

CLASSIFICATION: FURNITURE	SPECIFICATION SECTION:	12500
----------------------------------	-------------------------------	--------------

FURNITURE TYPE: TC-2

DESCRIPTION:	Coffee Table	SIZE: 42"W X 18"D X 14"H
LOCATION:	Refer to Location Summary/Furniture Plan	TOTAL QUANTITY: 4

FEATURES:	VALUE	COMMENTS:
Base / Leg	T-base Bullet Foot Pedestal	Other: Metal legs at slight angle powder coated. Colour: Maple Wood.
Top	Wood X Plastic Laminate	Plastic Laminate in 2 grades above standard grade. Colour: Available in at least 5 standard colour offerings. Shape: Rectangular
Edge	Wood X PVC Plastic Laminate	PVC edge of at least 2mm thick, to match top.
Certifications	ANSI/BIFMA	ANSI/BIFMA X5.5 ANSI/BIFMA X6.5

LOCATION SUMMARY				
Furn. Code	Item Description	Room No.	Room Name	Qty.
TC-2	COFFEE TABLE	MULTIPLE	MULTIPLE	4

BASIS OF DESIGN PRODUCT

MANUFACTURER: Coalesse
MODEL NO: 5
SERIES: CG_1

ALTERNATE PRODUCTS WILL BE CONSIDERED
 IMAGES MAY NOT REPRESENT SPECIFIED ITEM
 WARRANTY TO BE AT LEAST 10 YEARS ON PARTS



END OF SECTION

SPECIFICATION LISTING
NEW WFPS AMALGAMATED STATION 9 – 1083 AUTUMNWOOD DRIVE

CLASSIFICATION: FURNITURE **12500**

FURNITURE TYPE: ST-T1

DESCRIPTION: Task Stool **SIZE:** 28.5"Wx 25.5"D x 28.5-32"H
LOCATION: Refer to Location Summary/Furniture Plan **TOTAL QUANTITY:** 1

FEATURES:	VALUE	COMMENTS:
Features	<input checked="" type="checkbox"/> Pneumatic Height Adjustment <input checked="" type="checkbox"/> Tensile Mesh Back <input checked="" type="checkbox"/> Tilt Tension <input checked="" type="checkbox"/> Tilt-Lock <input checked="" type="checkbox"/> 360 Degree Swivel <input checked="" type="checkbox"/> Back Lock <input checked="" type="checkbox"/> Lumbar Adjustment Head Rest	
Overall Dimensions	Overall Height: Overall Width: Overall Depth: Seat Height: Seat Width: Seat Depth:	Within range: 47.5–50" Within range: 27-30" Within range: 25-30" Within range: 27–33" Within range: 17-21" Within range: 16–21"
Back Height	Low <input checked="" type="checkbox"/> Mid High	
Arm	Armless <input checked="" type="checkbox"/> Loop <input checked="" type="checkbox"/> Open Closed <input checked="" type="checkbox"/> Cantilever (T)	
Base	4-Point <input checked="" type="checkbox"/> Other <input checked="" type="checkbox"/> Castors	Integrated metal foot ring for support Five star
Material: Back	Mesh Fabric Vinyl <input checked="" type="checkbox"/> Injection Molded	Airback
Material: Seat	Mesh Fabric <input checked="" type="checkbox"/> Vinyl Injection Molded	Two grades above standard offering. Colour: Charcoal or Black
Material: Arm	<input checked="" type="checkbox"/> Polypropylene <input checked="" type="checkbox"/> Plastic <input checked="" type="checkbox"/> Metal	
Material: Base	<input checked="" type="checkbox"/> Metal Wood	
Certification	<input checked="" type="checkbox"/> BIFMA	ANSI/BIFMA 5.1

LOCATION / FINISH SUMMARY

Furn. Code	Item Description	Room No	Room Name	Qty.
ST-T1	Task Stool	122	Tool Repair	1

BASIS OF DESIGN PRODUCT

Tender #777-2023

SPECIFICATION LISTING
NEW WFPS AMALGAMATED STATION 9 – 1083 AUTUMNWOOD DRIVE

MANUFACTURER: Steelcase
MODEL NO: -
SERIES: Series 1 Stool

ALTERNATE PRODUCTS WILL BE CONSIDERED
IMAGES MAY NOT REPRESENT SPECIFIED ITEM
WARRANTY TO BE AT LEAST 10 YEARS ON PARTS, 5 YEARS ON UPHOLSTERY



END OF SECTION

SPECIFICATION LISTING
NEW WFPS AMALGAMATED STATION 9 – 1083 AUTUMNWOOD DRIVE

CLASSIFICATION: FURNITURE	SPECIFICATION SECTION:	12500
----------------------------------	-------------------------------	--------------

FURNITURE TYPE: **SS-1**

DESCRIPTION:	<u>Storage Shelves</u>	SIZE: <u>36" (w) x 12" (l) x 72" (h)</u>
LOCATION:	<u>Refer to Location Summary/Furniture Plans</u>	TOTAL QUANTITY: <u>6</u>

FEATURES:	VALUE	COMMENTS:
Construction	<input checked="" type="checkbox"/> Full-Frame Steel Construction <input checked="" type="checkbox"/> Wear Resistant Finish	Mechanically fastened to wall by furniture installer
Warranty	<input checked="" type="checkbox"/> Lifetime warranty	

LOCATION SUMMARY				
Furn. Code	Item Description	Room No.	Room Name	Qty.
SS-1	STORAGE SHELVES	STORAGE 102B	MULTIPLE	6

BASIS OF DESIGN PRODUCT

MANUFACTURER: Global
MODEL NO: -
SERIES: Storage Shelves



ALTERNATE PRODUCTS WILL BE CONSIDERED
 IMAGES MAY NOT REPRESENT SPECIFIED ITEM
 WARRANTY TO BE AT LEAST 10 YEARS ON PARTS

END OF SECTION

CLASSIFICATION: FURNITURE	SPECIFICATION SECTION:	12500
----------------------------------	-------------------------------	--------------

FURNITURE TYPE: MB-1B

DESCRIPTION: Matress **SIZE:** 38" (w) x 79.5" (l) x 10" (h)
LOCATION: Refer to Location Summary/Furniture Plans **TOTAL QUANTITY:** 1

FEATURES:	VALUE	COMMENTS:
Construction	<input checked="" type="checkbox"/> Wear Resistant Finish	
Features	<input checked="" type="checkbox"/> Firm Medium	To be standard Candian Twin XL Bed, 38" x 79.5" - sizing to be confirmed prior to order with architect and millworker.
Warranty	Soft <input checked="" type="checkbox"/> Lifetime warranty	

LOCATION SUMMARY

Furn. Code	Item Description	Room No.	Room Name	Qty.
MB-1B	MATTRESS	108	FLOOR WATCH	1

BASIS OF DESIGN PRODUCT

MANUFACTURER: Distinction
MODEL NO: -
SERIES: Ellen

ALTERNATE PRODUCTS WILL BE CONSIDERED
 IMAGES MAY NOT REPRESENT SPECIFIED ITEM
 WARRANTY TO BE AT LEAST 10 YEARS ON PARTS



END OF SECTION

SPECIFICATION LISTING
NEW WFPS AMALGAMATED STATION 9 – 1083 AUTUMNWOOD DRIVE

CLASSIFICATION: FURNITURE	SPECIFICATION SECTION:	12500
----------------------------------	-------------------------------	--------------

FURNITURE TYPE: LOCK-1

DESCRIPTION: 3-Tier Box Locker **SIZE:** 11.5" (w) x 18" (d) x 38" (h)
LOCATION: Refer to Location Summary/Furniture Plans **TOTAL QUANTITY:** 4

FEATURES:	VALUE	COMMENTS:
Construction	X Full-Frame Steel Construction	Michenically fastenned to wall and to one another by furniture installer.
	X Wear Resistant Finish	
Features	X Locking	Include hasp lock.
	X Counterweight	
	X Plate divider	
	Front to back bar	
	X Stackable	To be stacked 2 high for a total 4.
	Extra hanging file bars	
Door/Drawer Type	X Fixed Front Doors	
	X Integrated Pull	Finger-pull
Cabinet Hardware		
		Baked enamel finish in standard metal range. Colour: Grey/Silver.
Material: Surface	X Steel	
Warranty	X Lifetime warranty	
Certification	X BIFMA	ANSI/BIFMA 5.1

LOCATION SUMMARY				
Furn. Code	Item Description	Room No.	Room Name	Qty.
LOCK-1	LOCKERS	114	INVESTIGATORS OFFICE	4

BASIS OF DESIGN PRODUCT

MANUFACTURER: Global Industrial - United Visual Products
MODEL NO: T9F239819SL
SERIES: -



NO ALTERNATES
 IMAGES MAY NOT REPRESENT SPECIFIED ITEM
 WARRANTY TO BE AT LEAST 10 YEARS ON PARTS

END OF SECTION

SPECIFICATION LISTING
NEW WFPS AMALGAMATED STATION 9 – 1083 AUTUMNWOOD DRIVE

CLASSIFICATION: FURNITURE	SPECIFICATION SECTION:	12500
----------------------------------	-------------------------------	--------------

FURNITURE TYPE: FILE-2

DESCRIPTION: Lateral File **SIZE:** 15" (w) x 18" (d) x 2 drawers (h)
LOCATION: Refer to Location Summary/Furniture Plans **TOTAL QUANTITY:** 4

FEATURES:	VALUE	COMMENTS:
Construction	<input checked="" type="checkbox"/> Full-Frame Steel Construction <input checked="" type="checkbox"/> Full-Extension Steel Ball Bearing Slides <input checked="" type="checkbox"/> Drawer Interlock System <input checked="" type="checkbox"/> Inner Drawer Front <input checked="" type="checkbox"/> Integral Base <input checked="" type="checkbox"/> Wear Resistant Finish	Include hasp lock.
Features	<input checked="" type="checkbox"/> Locking <input checked="" type="checkbox"/> Counterweight <input checked="" type="checkbox"/> Plate divider Front to back bar Extra hanging file bars	Keyed individually separate with file cabinet locking bar.
Door/Drawer Type	<input checked="" type="checkbox"/> Fixed Front Drawers	
Filing Method	<input checked="" type="checkbox"/> Side to Side Filing <input checked="" type="checkbox"/> Front to Back Filing	Complete with hanging bars
Cabinet Hardware	<input checked="" type="checkbox"/> Integrated Pull	J-Pull - steel integrated, ADA compliant
Leg Hardware	<input checked="" type="checkbox"/> Glide - Adjustable Leveling	
Material: Surface	<input checked="" type="checkbox"/> Steel	Baked enamel finish in standard metal range. Colour: to match BC-1 Bookcase - Grey.
Warranty	<input checked="" type="checkbox"/> Lifetime warranty	
Certification	<input checked="" type="checkbox"/> BIFMA	ANSI/BIFMA 5.1

LOCATION SUMMARY				
Furn. Code	Item Description	Room No.	Room Name	Qty.
FILE-2	LATERAL FILE	114	INVESTIGATORS OFFICE	4

BASIS OF DESIGN PRODUCT

MANUFACTURER: Haworth
MODEL NO: JPMW-18-S
SERIES: X Series



ALTERNATE PRODUCTS WILL BE CONSIDERED
 IMAGES MAY NOT REPRESENT SPECIFIED ITEM
 WARRANTY TO BE AT LEAST 10 YEARS ON PARTS

SPECIFICATION LISTING
NEW WFPS AMALGAMATED STATION 9 – 1083 AUTUMNWOOD DRIVE

CLASSIFICATION: FURNITURE	SPECIFICATION SECTION:	12500
----------------------------------	-------------------------------	--------------

FURNITURE TYPE: FILE-1

DESCRIPTION: Lateral File **SIZE:** 36" (w) x 19" (d) x 3 drawers (h)
LOCATION: Refer to Location Summary/Furniture Plans **TOTAL QUANTITY:** 2

FEATURES:	VALUE	COMMENTS:
Construction	<input checked="" type="checkbox"/> Full-Frame Steel Construction <input checked="" type="checkbox"/> Full-Extension Steel Ball Bearing Slides <input checked="" type="checkbox"/> Drawer Interlock System <input checked="" type="checkbox"/> Inner Drawer Front <input checked="" type="checkbox"/> Integral Base <input checked="" type="checkbox"/> Wear Resistant Finish	
Features	<input checked="" type="checkbox"/> Locking <input checked="" type="checkbox"/> Counterweight <input checked="" type="checkbox"/> Plate divider Front to back bar Extra hanging file bars	Keyed by Room
Door/Drawer Type	<input checked="" type="checkbox"/> Fixed Front Drawers	
Filing Method	<input checked="" type="checkbox"/> Side to Side Filing <input checked="" type="checkbox"/> Front to Back Filing	Complete with hanging bars
Cabinet Hardware	<input checked="" type="checkbox"/> Integrated Pull	J-Pull - steel integrated, ADA compliant
Leg Hardware	<input checked="" type="checkbox"/> Glide - Adjustable Leveling	
Material: Surface	<input checked="" type="checkbox"/> Steel	Baked enamel finish in standard metal range. Colour: to match BC-1 Bookcase - Grey.
Warranty	<input checked="" type="checkbox"/> Lifetime warranty	
Certification	<input checked="" type="checkbox"/> BIFMA	ANSI/BIFMA 5.1

LOCATION SUMMARY				
Furn. Code	Item Description	Room No.	Room Name	Qty.
FILE-1	LATERAL FILE	MULTIPLE	MULTIPLE	2

BASIS OF DESIGN PRODUCT

MANUFACTURER: Haworth
MODEL NO: JLRD-SJ
SERIES: X Series



ALTERNATE PRODUCTS WILL BE CONSIDERED
 IMAGES MAY NOT REPRESENT SPECIFIED ITEM
 WARRANTY TO BE AT LEAST 10 YEARS ON PARTS

SPECIFICATION LISTING
NEW WFPS AMALGAMATED STATION 9 – 1083 AUTUMNWOOD DRIVE

CLASSIFICATION: FURNITURE	SPECIFICATION SECTION:	12500
----------------------------------	-------------------------------	--------------

FURNITURE TYPE: DB-1B

DESCRIPTION: Mattress **SIZE:** 38" (w) x 79.5" (l) x 11.25" (h)
LOCATION: Refer to Location Summary/Furniture Plans **TOTAL QUANTITY:** 12

FEATURES:	VALUE	COMMENTS:
Construction	<input checked="" type="checkbox"/> Wear Resistant Finish	
Features	<input checked="" type="checkbox"/> Firm Medium Soft	To be standard Candaian Twin XL Bed
Warranty	<input checked="" type="checkbox"/> Lifetime warranty	

LOCATION SUMMARY				
Furn. Code	Item Description	Room No.	Room Name	Qty.
DB-1B	MATTRESS	MULTIPLE	MULTIPLE	12

BASIS OF DESIGN PRODUCT

MANUFACTURER: Serta
MODEL NO: -
SERIES: Royal Suite Supreme II



ALTERNATE PRODUCTS WILL BE CONSIDERED
 IMAGES MAY NOT REPRESENT SPECIFIED ITEM
 WARRANTY TO BE AT LEAST 10 YEARS ON PARTS

END OF SECTION

SPECIFICATION LISTING
NEW WFPS AMALGAMATED STATION 9 – 1083 AUTUMNWOOD DRIVE

CLASSIFICATION: FURNITURE	SPECIFICATION SECTION:	12500
----------------------------------	-------------------------------	--------------

FURNITURE TYPE: DB-1A

DESCRIPTION: Day Bed
LOCATION: Refer to Location Summary/Furniture Plans

SIZE: 70" (L)
TOTAL QUANTITY: 12

FEATURES:	VALUE	COMMENTS:
Construction	X Wear Resistant Finish X Integral Base X Full Frame Steel Construction	To be standard Candaian Twin XL Bed, 38" x 79.5"
Leg Hardware	X Glide - Adjustable Leveling	
Material: Surface	X Steel	Finished in powder coating
Warranty	X Lifetime warranty	

LOCATION SUMMARY				
Furn. Code	Item Description	Room No.	Room Name	Qty.
DB-1A	DAY BED	MULTIPLE	MULTIPLE	12

ACCEPTABLE PRODUCTS

MANUFACTURER: Rize
MODEL NO: T_416QPG
SERIES: Delux Bed Stem Glide Frame



ALTERNATE PRODUCTS WILL BE CONSIDERED
 IMAGES MAY NOT REPRESENT SPECIFIED ITEM
 WARRANTY TO BE AT LEAST 10 YEARS ON PARTS

END OF SECTION

SPECIFICATION LISTING
NEW WFPS AMALGAMATED STATION 9 – 1083 AUTUMNWOOD DRIVE

CLASSIFICATION: FURNITURE **12500**

FURNITURE TYPE: CH-T1

DESCRIPTION: Task Chair **SIZE:** 25.5" (w) x 24" (d) x 34.5" (h)
LOCATION: Refer to Location Summary/Furniture Plan **TOTAL QUANTITY:** 5

FEATURES:	VALUE	COMMENTS:
Features	Pneumatic Height Adjustment Tensile Mesh Back Tilt Tension Tilt-Lock 360 Degree Swivel Back Lock Lumbar Adjustment Head Rest	
Overall Dimensions	Overall Height: Overall Width: Overall Depth: Seat Height: Seat Width: Seat Depth:	Within range: 39–44" Within range: 27-30" Within range: 26-30" Within range: 16–21" Within range: 17-20" Within range: 16–19"
Back Height	<input checked="" type="checkbox"/> Low Mid High	
Arm	Armless <input checked="" type="checkbox"/> Loop Open Closed Cantilever (T)	
Base	<input checked="" type="checkbox"/> 4-Point Castors	Hard Surface
Material: Back	<input checked="" type="checkbox"/> Mesh Fabric Vinyl Injection Molded	Colour: MS69
Material: Seat	Mesh <input checked="" type="checkbox"/> Fabric Vinyl Injection Molded	At least 150,000 double rub minimum c/w stain resistance. 2 grades above lowest grade. Colour: Black Licorice
Material: Arm	<input checked="" type="checkbox"/> Polypropylene Plastic <input checked="" type="checkbox"/> Metal	Colour: Black
Material: Base	<input checked="" type="checkbox"/> Metal Wood	Colour: Black
Certification	<input checked="" type="checkbox"/> BIFMA	ANSI/BIFMA 5.1

LOCATION / FINISH SUMMARY				
Furn. Code	Item Description	Room No	Room Name	Qty.
CH-T1	Task Chair	MULTIPLE	MULTIPLE	5

BASIS OF DESIGN PRODUCT

MANUFACTURER: Global Contract Furniture
MODEL NO: -
SERIES: Lowback Armchair with Castors

ALTERNATE PRODUCTS WILL BE CONSIDERED
IMAGES MAY NOT REPRESENT SPECIFIED ITEM
WARRANTY TO BE AT LEAST 10 YEARS ON PARTS, 5 YEARS ON UPHOLSTERY



END OF SECTION

SPECIFICATION LISTING
NEW WFPS AMALGAMATED STATION 9 – 1083 AUTUMNWOOD DRIVE

CLASSIFICATION: FURNITURE	SPECIFICATION SECTION:	12500
----------------------------------	-------------------------------	--------------

FURNITURE TYPE: CH-ST1

DESCRIPTION: CH-ST1
LOCATION: Refer to Location Summary/Furniture Plan

SIZE: 20.25" (D) 25.75" (W) 31.5" (H)
TOTAL QUANTITY: 28

FEATURES:	VALUE	COMMENTS:
Back	Fabric Mesh Vinyl <input checked="" type="checkbox"/> Inj. Molded	Colour: Blue / Charcoal
Seat	Fabric <input checked="" type="checkbox"/> Vinyl Inj. Molded	At least 2 grades above standard offering: Colour: Blue / Charcoal
Frame	Wood <input checked="" type="checkbox"/> Metal	
Back Height	Low <input checked="" type="checkbox"/> Mid High	
Arm	Armless Loop <input checked="" type="checkbox"/> Open Closed <input checked="" type="checkbox"/> Cantilever (T)	
Base	4-Point <input checked="" type="checkbox"/> Sled base <input checked="" type="checkbox"/> Castors	Suitable for hard surface
Stacking	<input checked="" type="checkbox"/> Yes No	
Foot Rest	Yes <input checked="" type="checkbox"/> No	
Leg	Wood <input checked="" type="checkbox"/> Metal	
Certification	<input checked="" type="checkbox"/> BIFMA	ANSI/BIFMA 5.1

Furn. Code	Item Description	Room No.	Room Name	Qty.
CH-ST1	Stacking Chair	102	TRAINING/CLASSROOM	28

BASIS OF DESIGN PRODUCT

MANUFACTURER: Steelcase
MODEL NO: -
SERIES: Move



ALTERNATE PRODUCTS WILL BE CONSIDERED
 IMAGES MAY NOT REPRESENT SPECIFIED ITEM
 WARRANTY TO BE AT LEAST 10 YEARS ON PARTS

END OF SECTION

SPECIFICATION LISTING
NEW WFPS AMALGAMATED STATION 9 – 1083 AUTUMNWOOD DRIVE

CLASSIFICATION: FURNITURE	SPECIFICATION SECTION:	12500
----------------------------------	-------------------------------	--------------

FURNITURE TYPE: CH-D2

DESCRIPTION: Outdoor Dining Chair

SIZE: 22" (D) 22" (W) 30" (H)

LOCATION: Refer to Location Summary/Furniture Plan

TOTAL QUANTITY: 12

FEATURES:	VALUE	COMMENTS:
Back	<input checked="" type="checkbox"/> Metal Inj. Molded	
Seat	<input checked="" type="checkbox"/> Metal Inj. Molded	
Frame	Wood <input checked="" type="checkbox"/> Metal Inj. Molded	Product to be suitable for outdoor use. Product to be weighted. Product to be stacking or nesting.
Back Height	Low <input checked="" type="checkbox"/> Mid High	
Arm	<input checked="" type="checkbox"/> Armless <input checked="" type="checkbox"/> Loop <input checked="" type="checkbox"/> Open <input checked="" type="checkbox"/> Closed <input checked="" type="checkbox"/> Cantilever (T)	
Base	<input checked="" type="checkbox"/> 4-Point <input checked="" type="checkbox"/> Sled	
Stacking	<input checked="" type="checkbox"/> Yes No	
Glides	<input checked="" type="checkbox"/> Hard Surface Carpet	
Foot Rest	Yes <input checked="" type="checkbox"/> No	
Leg	Wood <input checked="" type="checkbox"/> Metal Inj. Molded	Product to be suitable for outdoor use. Product to be weighted.
Colour	<input checked="" type="checkbox"/> Charcoal Grey <input checked="" type="checkbox"/> Black	Colour and to match T-D2 table
Certification	<input checked="" type="checkbox"/> BIFMA	ANSI/BIFMA 5.1

Furn. Code	Item Description	Room No.	Room Name	Qty.
CH-D2	Chair - Dining	201	OUTDOOR AREA	12

BASIS OF DESIGN PRODUCT

MANUFACTURER: BluDot

MODEL NO: -

SERIES: Trim Chair

ALTERNATE PRODUCTS WILL BE CONSIDERED
 IMAGES MAY NOT REPRESENT SPECIFIED ITEM
 WARRANTY TO BE AT LEAST 10 YEARS ON PARTS



END OF SECTION

SPECIFICATION LISTING
NEW WFPS AMALGAMATED STATION 9 – 1083 AUTUMNWOOD DRIVE

CLASSIFICATION: FURNITURE	SPECIFICATION SECTION:	12500
----------------------------------	-------------------------------	--------------

FURNITURE TYPE: CH-D1

DESCRIPTION: CH-D1 **SIZE:** 24.25" (D) 25.5" (W) 32.25" (H)
LOCATION: Refer to Location Summary/Furniture Plan **TOTAL QUANTITY:** 10

FEATURES:	VALUE	COMMENTS:
Back	Fabric Mesh Vinyl <input checked="" type="checkbox"/> Inj. Molded	Colour: Black
Seat	Fabric <input checked="" type="checkbox"/> Vinyl <input checked="" type="checkbox"/> Inj. Molded	Grade P0 - Pallas Pattern: Terra Abrasion: 500,000 Double Rubs Content: 100% Poly Vinyl Chloride Performance: Resilience - Antimicrobial and Antimicrobial Finish
Frame	Wood <input checked="" type="checkbox"/> Metal	Chrome
Back Height	Low <input checked="" type="checkbox"/> Mid High	
Arm	Armless <input checked="" type="checkbox"/> Loop Open Closed Cantilever (T)	Colour: Black
Base	4-Point Sled base <input checked="" type="checkbox"/> Castors	Hard Surface compatible
Stacking	Yes No <input checked="" type="checkbox"/> Other	Nesting
Foot Rest	Yes <input checked="" type="checkbox"/> No	
Leg	Wood <input checked="" type="checkbox"/> Metal	
Certification	<input checked="" type="checkbox"/> BIFMA	ANSI/BIFMA 5.11

Furn. Code	Item Description	Room No.	Room Name	Qty.
CH-D1	Nesting Dining Chair	202	KITCHEN 202	10

BASIS OF DESIGN PRODUCT

MANUFACTURER: KI Canada
MODEL NO: TGWAPB
SERIES: Torsion On The Go!

ALTERNATE PRODUCTS WILL BE CONSIDERED
IMAGES MAY NOT REPRESENT SPECIFIED ITEM
WARRANTY TO BE AT LEAST 10 YEARS ON PARTS



END OF SECTION

SPECIFICATION LISTING
NEW WFPS AMALGAMATED STATION 9 – 1083 AUTUMNWOOD DRIVE

CLASSIFICATION: FURNITURE	SPECIFICATION SECTION:	12500
----------------------------------	-------------------------------	--------------

FURNITURE TYPE: BENCH-1

DESCRIPTION: BENCH 1 **SIZE:** 72" (w) X 18" (d) X 18" (h)
LOCATION: Refer to Location Summary/Furniture Plan **TOTAL QUANTITY:** 2

FEATURES:	VALUE	COMMENTS:
Seat	Fabric Vinyl Inj. Molded	
	<input checked="" type="checkbox"/> Wood	Maple
Frame/Legs	Wood	Mechanically fastenned during production by manufacturer.
	<input checked="" type="checkbox"/> Metal	Mechanically fastenned to floor by installer.
Other	Security Mount	
Certification	BIFMA	Level 3

Furn. Code	Item Description	Room No.	Room Name	Qty.
BENCH-1	Vestibule Bench	MULTIPLE	Vestibule	2

BASIS OF DESIGN PRODUCT

MANUFACTURER: Cape Contract Furniture
MODEL NO: 5652
SERIES: Pablo



ALTERNATE PRODUCTS WILL BE CONSIDERED
 IMAGES MAY NOT REPRESENT SPECIFIED ITEM
 WARRANTY TO BE AT LEAST 10 YEARS ON PARTS

END OF SECTION

CLASSIFICATION: FURNITURE	SPECIFICATION SECTION:	12500
----------------------------------	-------------------------------	--------------

FURNITURE TYPE: BC-1

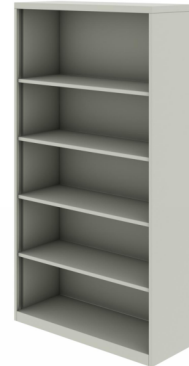
DESCRIPTION: Bookcase **SIZE:** 36" (w) x 14" (d) x 63.5" (h)
LOCATION: Refer to Location Summary/Furniture Plans **TOTAL QUANTITY:** 4

FEATURES:	VALUE	COMMENTS:
Construction	<input checked="" type="checkbox"/> Full-Frame Metal Construction PLAM	
Warranty	<input checked="" type="checkbox"/> Wear Resistant Finish <input checked="" type="checkbox"/> Lifetime warranty	
Colour	<input checked="" type="checkbox"/> Grey	Colour and manufacturer to match FILE-1 Lateral File

LOCATION SUMMARY				
Furn. Code	Item Description	Room No.	Room Name	Qty.
BC-1	BOOKCASE	MULTIPLE	MULTIPLE	4

BASIS OF DESIGN PRODUCT

MANUFACTURER: Haworth
MODEL NO: JBCS-0536
SERIES: X-series



ALTERNATE PRODUCTS WILL BE CONSIDERED
 IMAGES MAY NOT REPRESENT SPECIFIED ITEM
 WARRANTY TO BE AT LEAST 10 YEARS ON PARTS

END OF SECTION