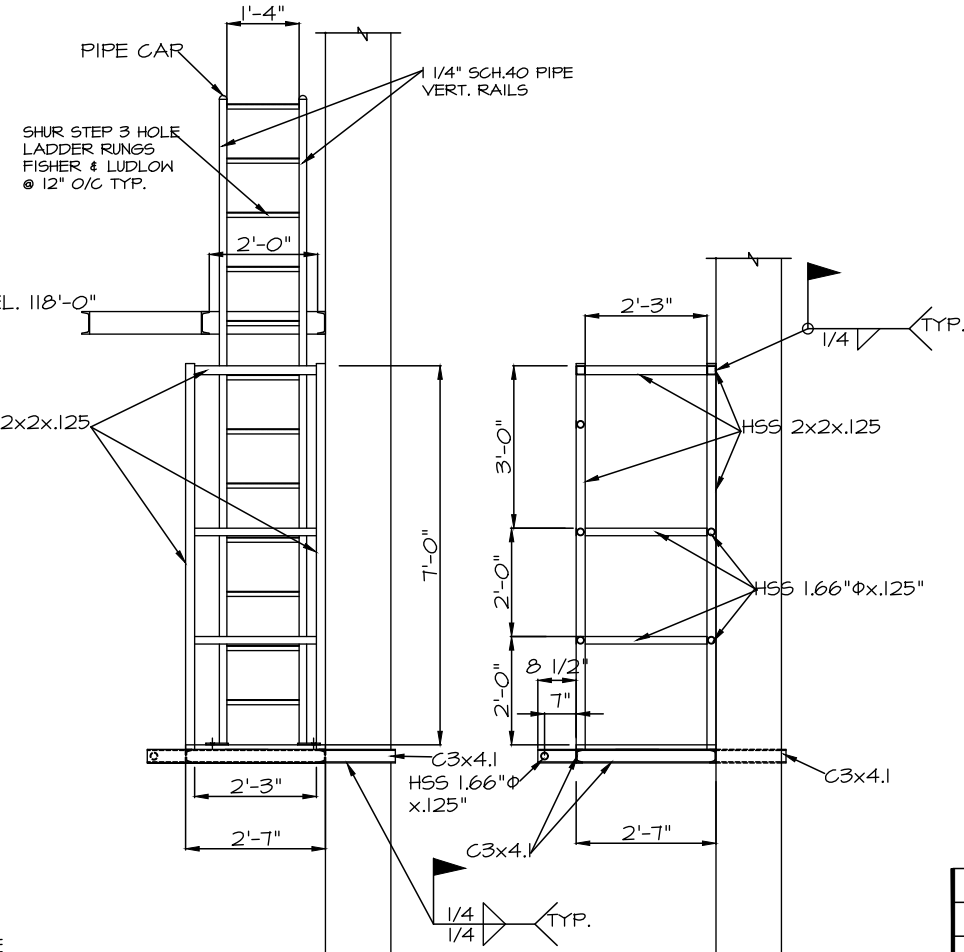
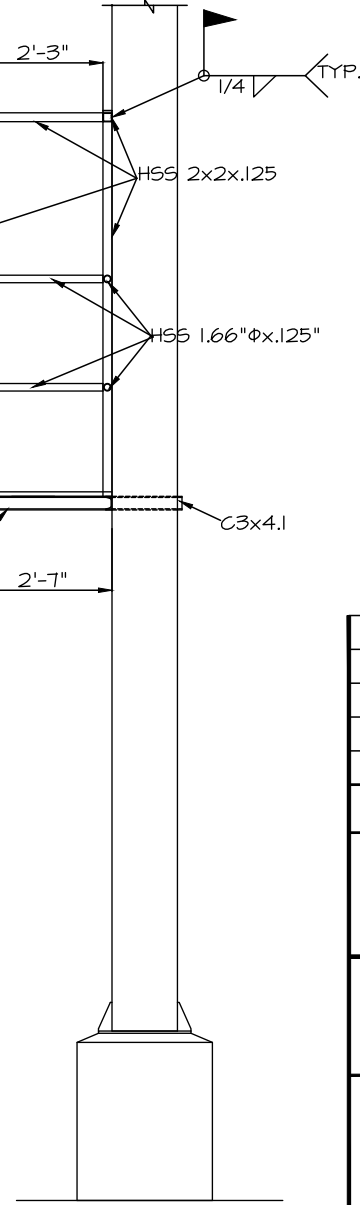


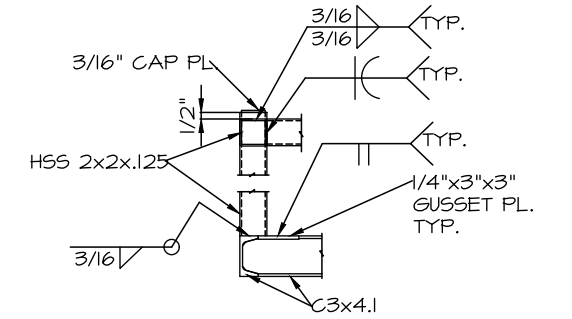
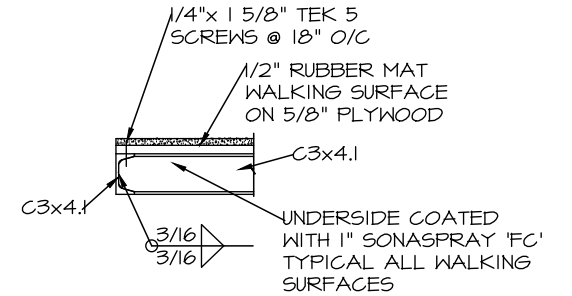
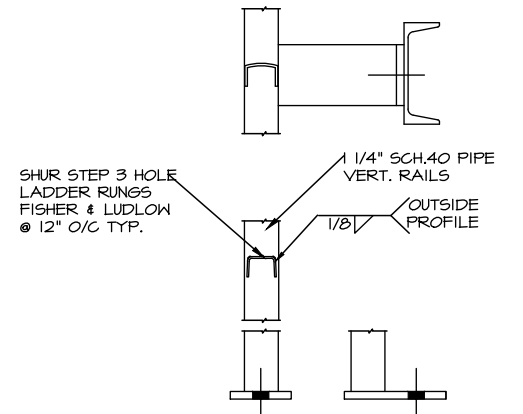
SECTION-A



SECTION-B



SECTION-C



0	ISSUED FOR TENDER	JC	NOV. 28/2023
NO.	REVISIONS	BY	DATE

F.A. Roberts & Associates Ltd.
 Engineering Consultants
 1304 Border St. | Winnipeg, MB | R3H 0M6 | Ph. (204) 694-4600



PROJECT RAINBOW STAGE
 LOCATION WINNIPEG, MANITOBA
 DRAWING TITLE STAGE RIGHT LADDER & PLATFORM FOR ACCESS TO BRIDGE

DGN/DWN BY <u>JC</u> DATE <u>APR.022</u>	DWG NO. <u>2022031-51.2</u>	REVISED <u>0</u>
CHECKED BY <u>FAR</u> DATE <u> </u>		