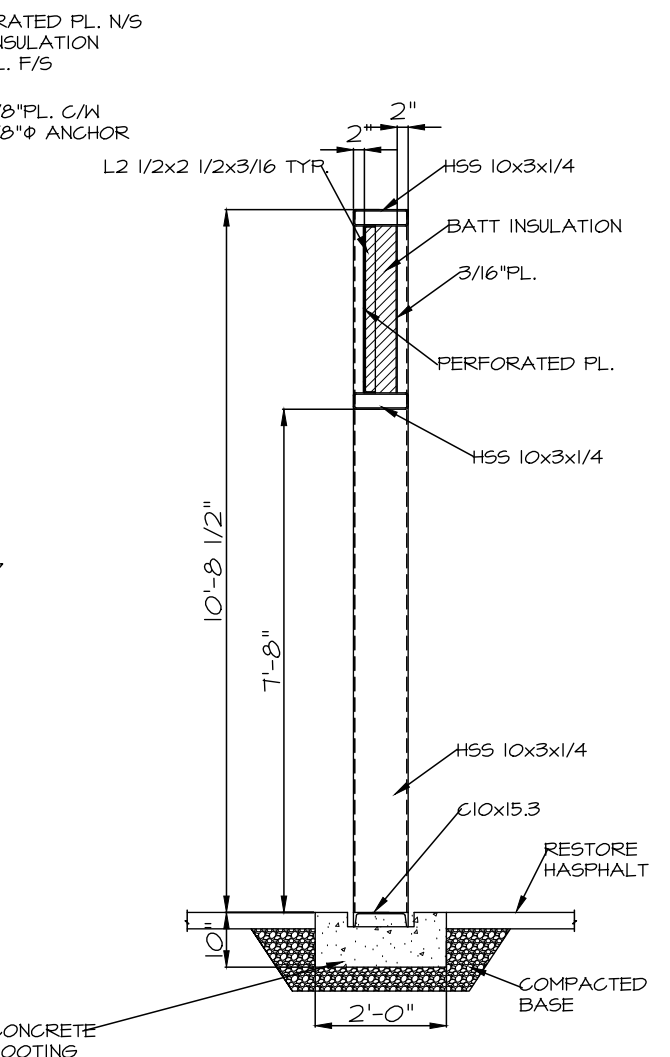
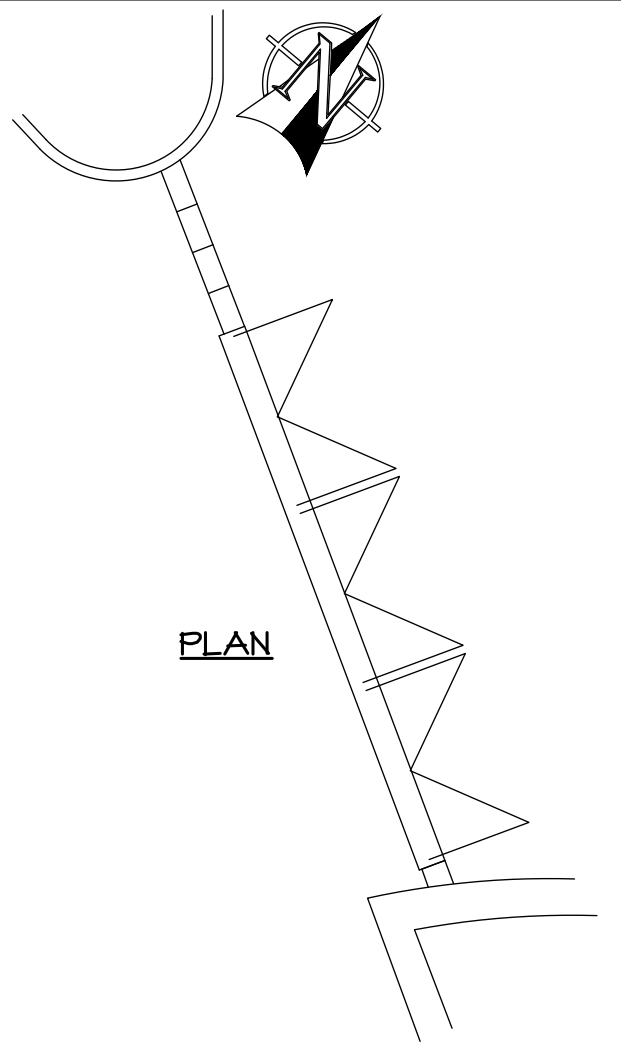


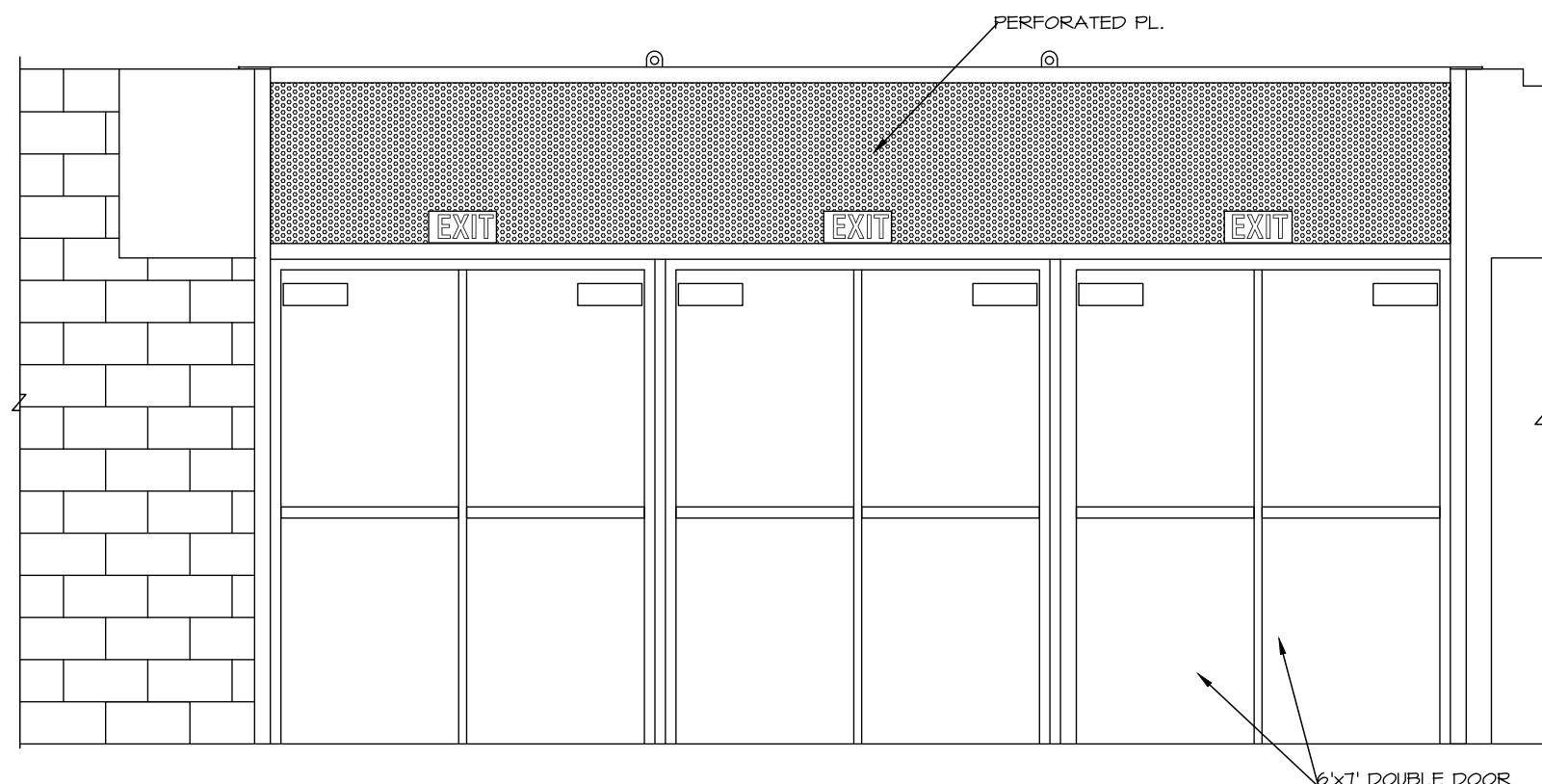
**FRAME ELEVATION**



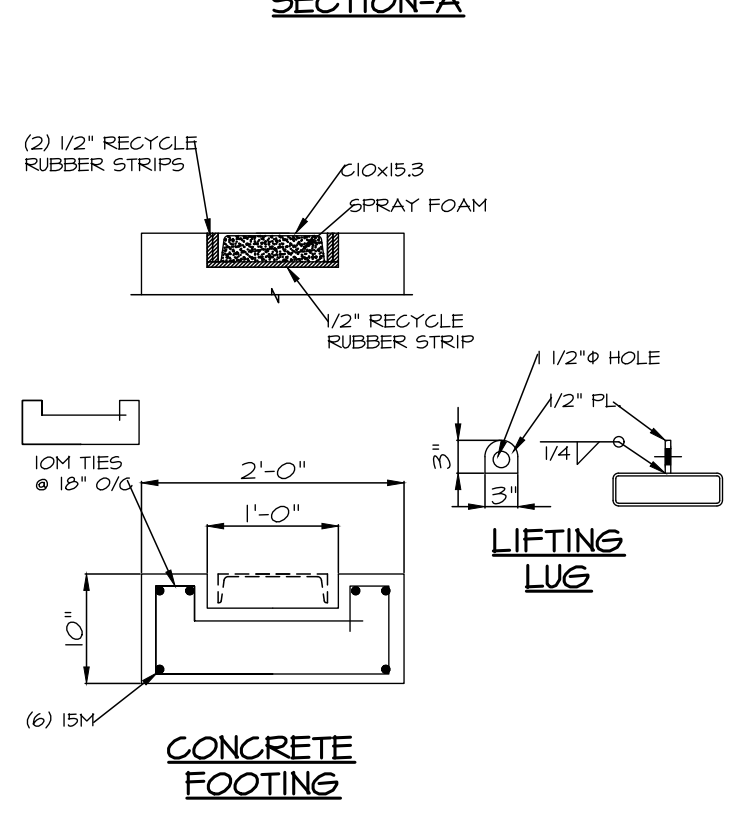
**SECTION-A**



**PLAN**



**INTERIOR ELEVATION**



**CONCRETE FOOTING**

**LIFTING LUG**

0	ISSUED FOR TENDER	JC	NOV. 28/2023
NO.	REVISIONS	BY	DATE

**F.A. Roberts & Associates Ltd.**  
 Engineering Consultants  
 1304 Border St. | Winnipeg, MB | R3H 0M6 | Ph. (204) 694-4600



PROJECT	RAINBOW STAGE
LOCATION	WINNIPEG, MANITOBA
DRAWING TITLE	NEW EXIT DOORS

DGN/DWN BY	JC	DATE	APR.022	DWG NO.	2022031-51.8	REVISED	0
CHECKED BY	FAR	DATE					