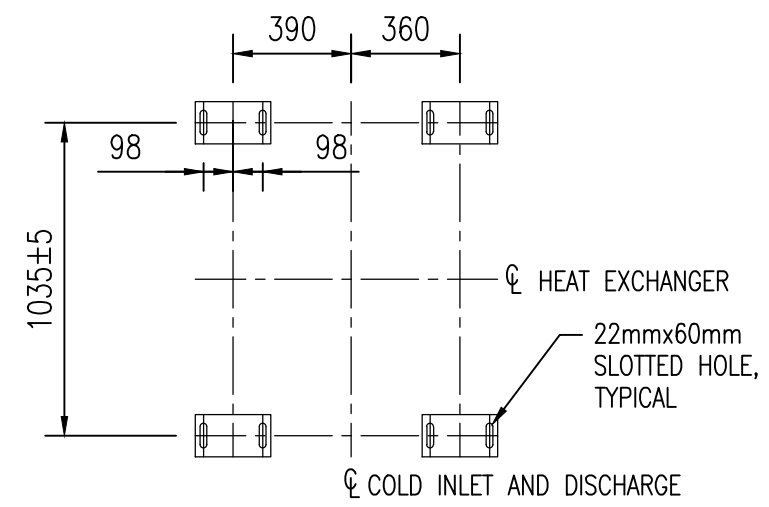
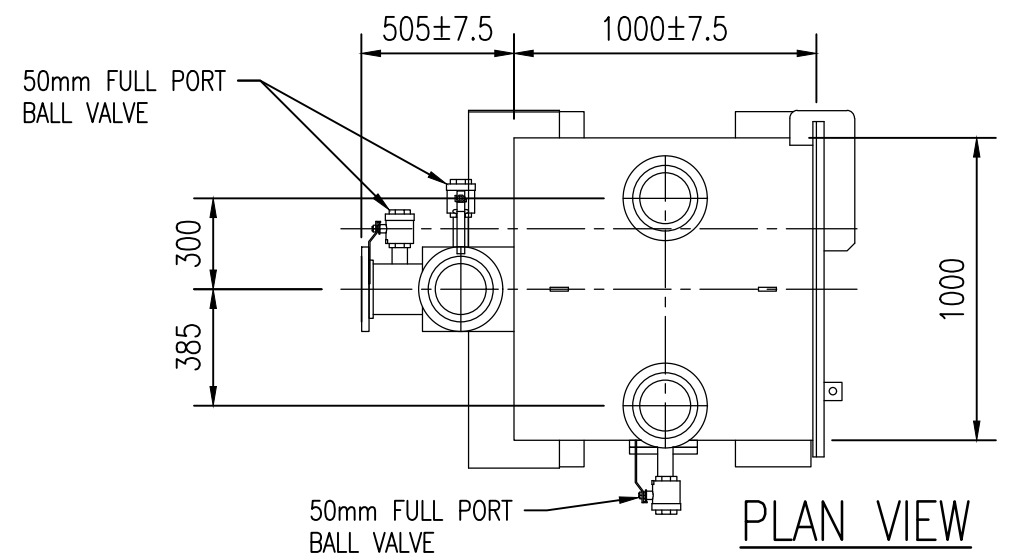


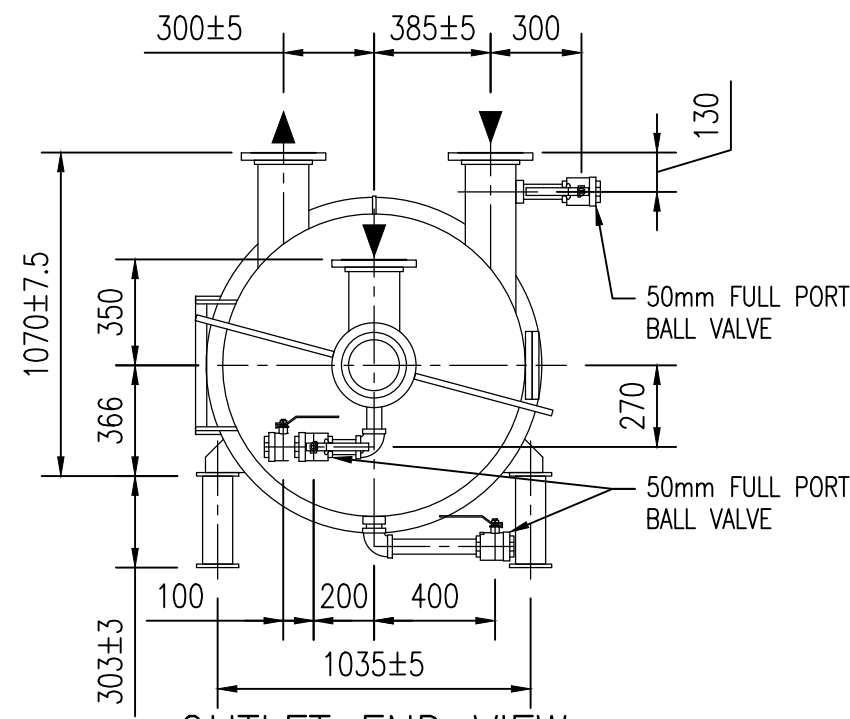
LAST SAVE: 2023/11/13 - 2:46pm  
 PATH: M:\697344\4ENG\45MEC\DD - General DWG\1-0101-MDTL-D001-R0.dwg  
 B SIZE - 279mm x 432mm



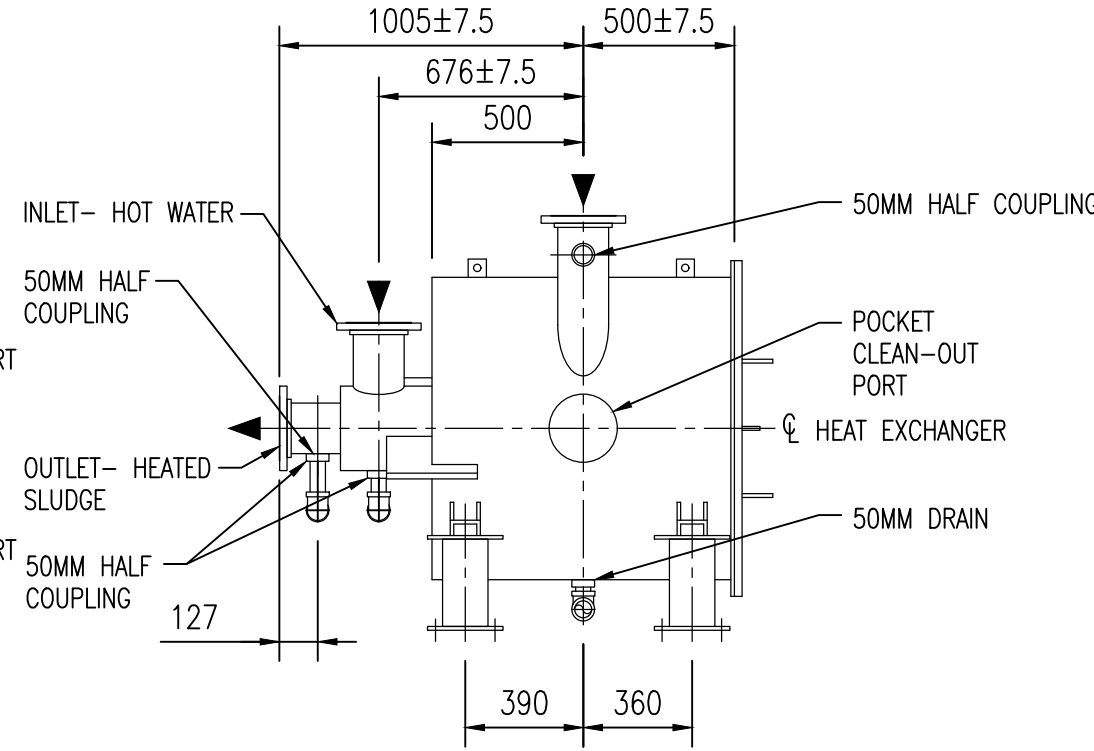
**BASE PLATE - PLAN**



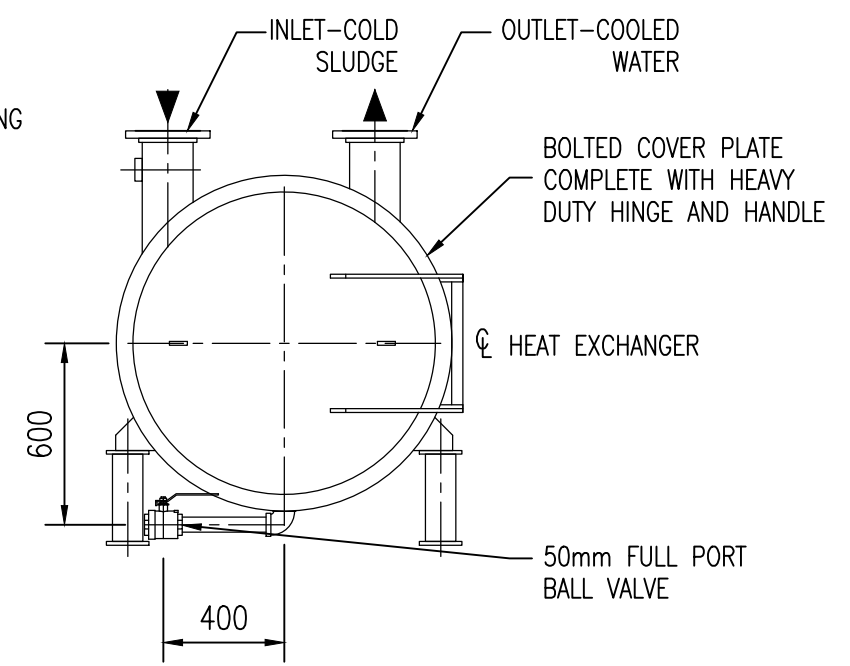
**PLAN VIEW**



**OUTLET END VIEW**



**SIDE VIEW**



**DOOR END VIEW**

**NOTES:**

1. THE HEAT EXCHANGER SHALL BE GENERALLY AS SHOWN. SOME DEVIATIONS FROM THE GIVEN DIMENSIONS WILL BE CONSIDERED, BUT THE GENERAL ARRANGEMENT AND NOZZLE ORIENTATION IS TO BE MAINTAINED.
2. SLUDGE NOZZLES, INLET AND OUTLET, SHALL BE 150mm (6") RAISED FACE 150# ANSI.
3. WATER NOZZLES, INLET AND OUTLET, SHALL BE 150mm (6") RAISED FACE 150# ANSI.
4. SUITABLE LIFTING LUGS, RINGS OR EYEBOLTS SHALL BE PROVIDED ON THE SHELL IN ORDER TO FACILITATE HANDLING.
5. PROVIDE 50mm (2") FULL PORT DRAIN BALL VALVE WITH HANDLE FOR WATER CHANNELS.



**SNC-LAVALIN INC.**  
 148 Nature Park Way  
 Winnipeg, MB, Canada R3P 0X7  
 204-786-8080

DESIGNED BY: EXISTING  
 DRAWN BY: M. GAUDINO  
 CHECKED BY: S. NORSWORTHY  
 APPROVED BY: J. ALO  
 SCALE: 1:25  
 DATE: 2023/09/06  
 CONSULTANT NO.: 697344

ENGINEER'S SEAL



THE CITY OF WINNIPEG  
 WATER AND WASTE DEPARTMENT

NORTH END WATER POLLUTION CONTROL CENTRE  
 DIGESTER HEAT EXCHANGER REPLACEMENT  
 DIMENSIONAL ARRANGEMENT  
 SPIRAL HEAT EXCHANGER

NO.	REVISIONS	DATE	BY
0	ISSUED FOR PROCURMENT	2023/11/13	SNN

CITY DRAWING NUMBER	SHEET	REV.	SIZE
1-0101-MDTL-D001		0	B