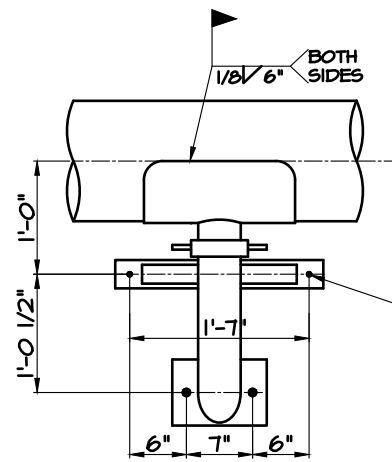


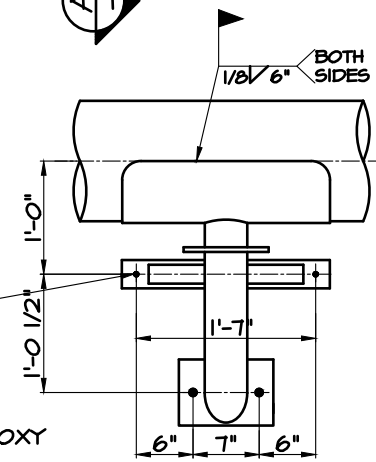
SECTION-A

ELEVATION



TYPICAL SLIDING SUPPORT

5/8"φ ANCHORS
316 STAINLESS STEEL
ALLOY RODS
5" MIN. EMBEDMENT
SET WITH SCREENS
USING HILTI HY200R EPOXY



TYPICAL FIXED SUPPORT

EQUIPMENT SCHEDULE – HIGH VELOCITY AIR		
	DESCRIPTION	MATERIAL SPECIFICATION
A	12" EXPANSION JOINT FOR 40,000 CYCLES	FLANGED EXPANSION JOINT AXIAL TRAVEL 0.5" LATERAL TRAVEL 1.5"
	FLANGES	CLASS 150 ANSI B16.5 BOLT PATTERN
		EPDM BELLOWS
		A240 / A182 GR 316L

* Note, supplied by City of Winnipeg, installed by contractor.

DESIGN DATA - HIGH VELOCITY AIR	
DESIGN TEMPERATURE	-30 to +130°C
OPERATING PRESSURE	8 PSIG
OPERATING TEMPERATURE	80°C
SPECIFIC GRAVITY - FLOODED	1.1
FLUIDS	AIR
CORROSION ALLOWANCE	0.0
HEAT TREATMENT	NONE
INSPECTION AND TESTING	
LIQUID PENETRANT TESTING	100% ALL SHOP AND FIELD WELDS

AERATION PIPING LOOP C

1. RAISE LOOP C FROM THE COLLAPSED POSITION, DISCONNECT FROM THE VERTICAL RISER AT THE EXISTING COUPLING AND TEMPORARILY SUPPORT. CONTRACTOR TO PROVIDE ALL NECESSARY SUPPORT.
2. TEMPORARILY SUPPORT THE EXISTING DROP LEG SUFFICIENTLY TO ACCOMMODATE REPAIRS TO THE HEADER CONNECTION AS DESCRIBED ON DRAWING 2022187 - P4.
3. NOTE: INSPECTION OF PVC PIPING, FITTINGS AND NOZZLES, REPAIRING OR REPLACING COMPONENTS, WILL BE PERFORMED CONCURRENT TO THIS CONTRACT BY CITY OF WINNIPEG STAFF.
4. INSTALL NEW FIXED WALL SUPPORT ADJACENT TO THE CONNECTION TO THE PVC DISTRIBUTION PIPING AND WELD THE SADDLE TO THE PIPE.
5. ALIGN LOOP 'C' PIPING TO ACHIEVE A 1% DOWNWARD SLOPE FROM THE VERTICAL DROP LEG TO THE CONNECTION TO THE PVC PIPING.
6. SEQUENTIALLY REMOVE EXISTING SUPPORTS AND INSTALL SLIDING WALL SUPPORTS TO MAINTAIN THE PIPING IN THE REQUIRED SLOPE.
7. POSITION THE SLIDING SHOES ON THE WALL BASKETS BASED ON A 20° NEUTRAL POSITION AND WELD THE SADDLES TO THE PIPE.
8. INSTALL THE VERTICAL PORTION OF THE PIPING WITH A NEW EXPANSION FITTING AT EXISTING FLANGES CONNECTION. TRIM VERTICAL PIPE AS REQUIRED AT EXISTING ROBAR CLAMP COUPLING.
9. COMPLETE REWORK OF THE DROP LEG TO BLOWER HEADER CONNECTION AS DESCRIBED ON DRAWING 2022187- P4.
10. INSTALL DROP LEG WITH VERTICAL SLIDING SUPPORT, CONNECTING TO THE EXPANSION FITTING WITH EXISTING ANSI B16.5 FLANGES, TRIM AS REQUIRED.
11. ANCHORS TO BE 5/8" DIAMETER, 316 STAINLESS STEEL ALLOY RODS, 5" MINIMUM EMBEDMENT SET WITH SCREENS USING HILTI HY200 R EPOXY OR EQUAL.

B.M. ELEV.	
CONSTRUCTION COMPLETION DATE: YYYY MM DD	
DESIGNED BY	FAR
CHECKED BY	FAR
DRAWN BY	JC
APPROVED BY	FAR
SCALE: HORIZONTAL	
RELEASED FOR CONSTRUCTION	
ISSUED FOR TENDER 85-2023	2023 03 10 JC
NO.	REVISIONS
DATE	BY
DATE	2023 03 10
DATE	

F.A. Roberts & Associates Ltd.
Engineering Consultants
1304 Border St. | Winnipeg, MB | R3H 0M6 | Ph. (204) 694-4600

ENGINEER'S SEAL

CONSULTANT DRAWING NUMBER
2022187-P1

THE CITY OF WINNIPEG
WATER AND WASTE DEPARTMENT
ENGINEERING DIVISION

2023 NEWPCC SBR UPGRADES
SBR TANK No.2 PIPING
BY CIPP LINING
AERATION LOOP C

SHEET 1 OF 6
CITY DRAWING NUMBER
85-2023
DRAWING
2022187_P1-RO