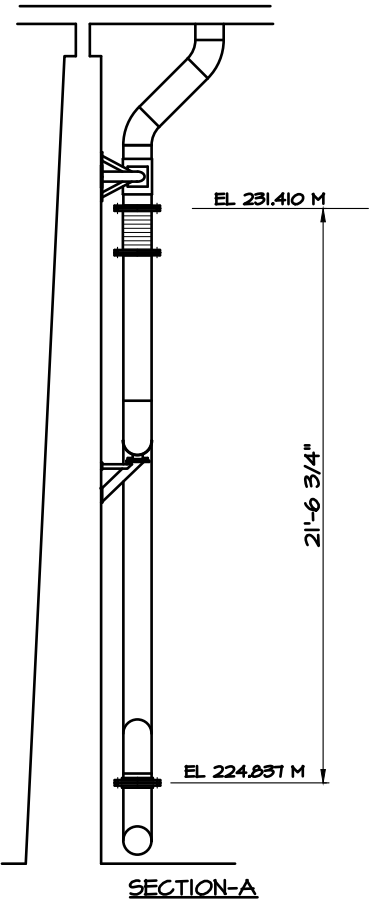
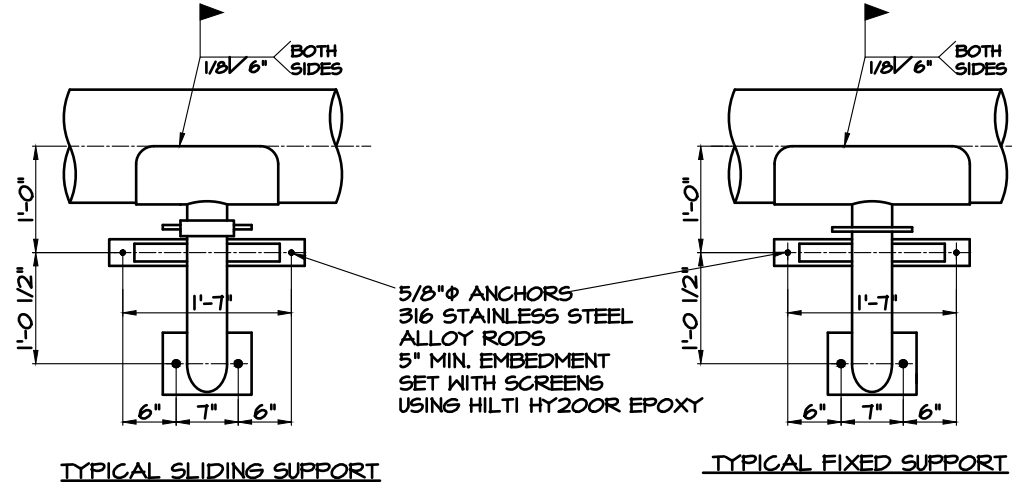


EQUIPMENT SCHEDULE – HIGH VELOCITY AIR		
	DESCRIPTION	MATERIAL SPECIFICATION
A	12" EXPANSION JOINT FOR 40,000 CYCLES	FLANGED EXPANSION JOINT AXIAL TRAVEL 0.5" LATERAL TRAVEL 1.5" CLASS 150 ANSI B16.5 BOLT PATTERN
	FLANGES	A240 / A182 GR 316L
* Note, supplied by City of Winnipeg, installed by contractor.		

DESIGN DATA - HIGH VELOCITY AIR	
DESIGN TEMPERATURE	-30 to +130°C
OPERATING PRESSURE	8 PSIG
OPERATING TEMPERATURE	80°C
SPECIFIC GRAVITY - FLOODED	1.1
FLUIDS	AIR
CORROSION ALLOWANCE	0.0
HEAT TREATMENT	NONE
INSPECTION AND TESTING	
LIQUID PENETRANT TESTING	100% ALL SHOP AND FIELD WELDS



ELEVATION



- AERATION PIPING LOOP A**
1. TEMPORARILY SUPPORT THE DROP LEG, DISCONNECT AT THE EXISTING FLANGED CONNECTION AS REQUIRED.
  2. NOTE: INSPECTION OF PVC PIPING, FITTINGS AND NOZZLES, REPAIRING OR REPLACING COMPONENTS, WILL BE PERFORMED CONCURRENT TO THIS CONTRACT BY CITY OF WINNIPEG STAFF.
  3. INSTALL NEW FIXED WALL SUPPORT ADJACENT TO THE CONNECTION TO THE PVC DISTRIBUTION PIPING AND WELD THE SADDLE TO THE PIPE.
  4. ALIGN LOOP 'A' PIPING TO ACHIEVE A 1% DOWNWARD SLOPE FROM THE VERTICAL DROP LEG TO THE CONNECTION TO THE PVC PIPING.
  5. SEQUENTIALLY REMOVE EXISTING SUPPORTS AND INSTALL SLIDING WALL SUPPORTS TO MAINTAIN THE PIPING IN THE REQUIRED SLOPE.
  6. POSITION THE SLIDING SHOES ON THE WALL BASKETS BASED ON A 20°C NEUTRAL POSITION AND WELD THE SADDLES TO THE PIPE.
  7. INSTALL THE VERTICAL PORTION OF THE PIPING WITH A NEW EXPANSION FITTING AT EXISTING FLANGED CONNECTION. TRIM VERTICAL PIPE AS REQUIRED AT ROBAR CLAMP COUPLING.
  8. COMPLETE REWORK OF THE DROP LEG TO BLOWER HEADER CONNECTION AS DESCRIBED ON DRAWING 2022187-P4.
  9. INSTALL DROP LEG WITH VERTICAL SLIDING SUPPORT, CONNECTING TO THE EXPANSION FITTING WITH EXISTING ANSI B16.5 FLANGES. TRIM AS REQUIRED.
  10. ANCHORS TO BE 5/8" DIAMETER, 316 STAINLESS STEEL ALLOY RODS, 5" MINIMUM EMBEDMENT SET WITH SCREENS USING HILTI HY200 R EPOXY OR EQUAL.

B.M. ELEV.		<p>1304 Border St.   Winnipeg, MB   R3H 0M6   Ph. (204) 694-4600</p>	ENGINEER'S SEAL	<p><b>THE CITY OF WINNIPEG</b> WATER AND WASTE DEPARTMENT ENGINEERING DIVISION</p>	SHEET 3 of 6
CONSTRUCTION COMPLETION DATE: YYYY MM DD					
ISSUED FOR TENDER 85-2023 2023 03 10 JC		DESIGNED BY FAR CHECKED BY FAR DRAWN BY JC APPROVED BY FAR SCALE: HORIZONTAL VERTICAL RELEASED FOR CONSTRUCTION CONSULTANT DRAWING NUMBER: 2022187-P3	2023 NEWPCC SBR UPGRADES SBR TANK No.2 PIPING BY CIPP LINING AERATION LOOP A	CITY DRAWING NUMBER 85-2023 DRAWING 2022187_P3-RO	
NO. REVISIONS DATE BY		DATE 2023 03 10 PLOT DATE: 2023 03 10			FILE PATH: F:\2022 Project Folder\2022187\ FILE NAME: 2022187.dwg