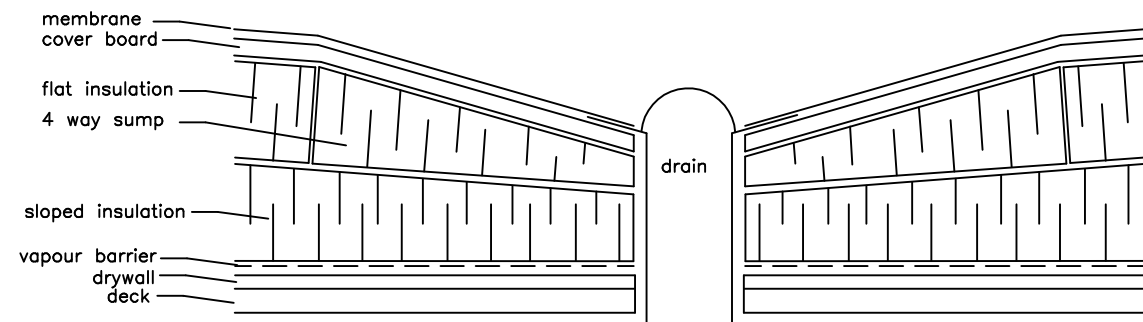
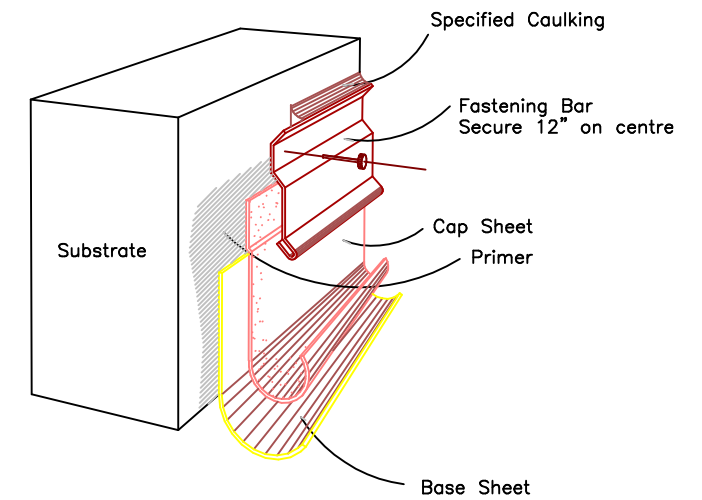


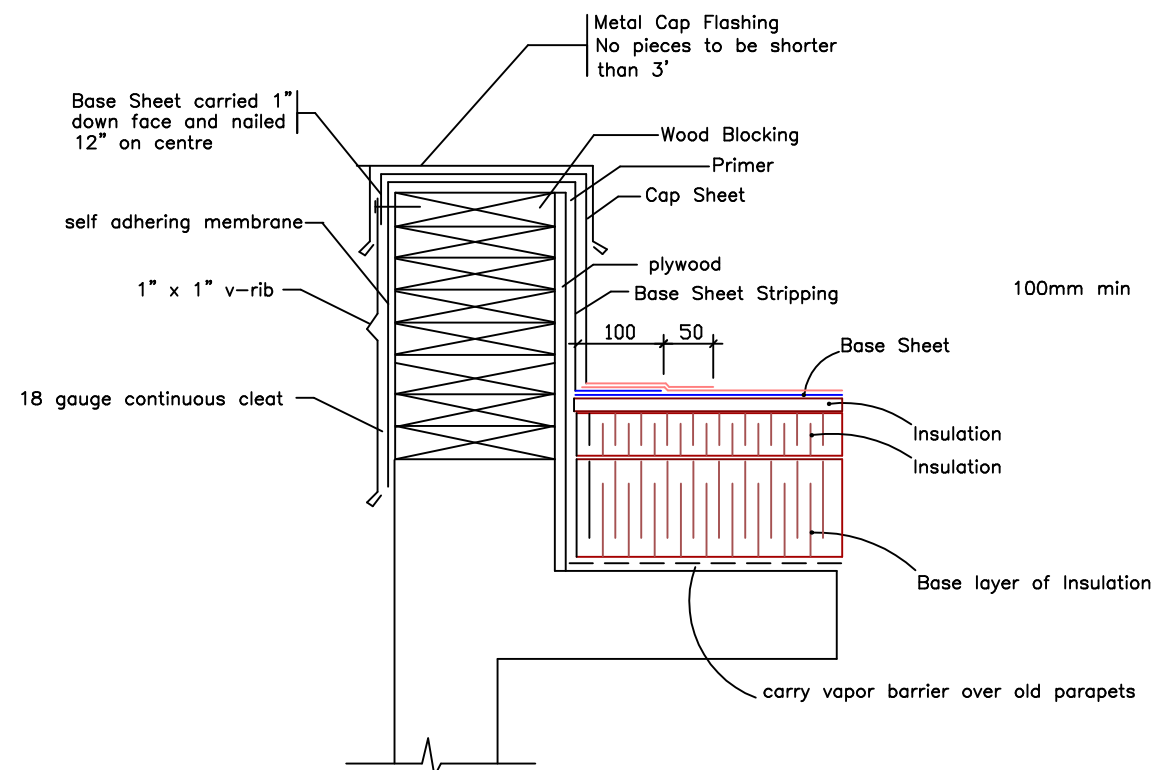
## Drain Sump



## Typical Fastening Bar

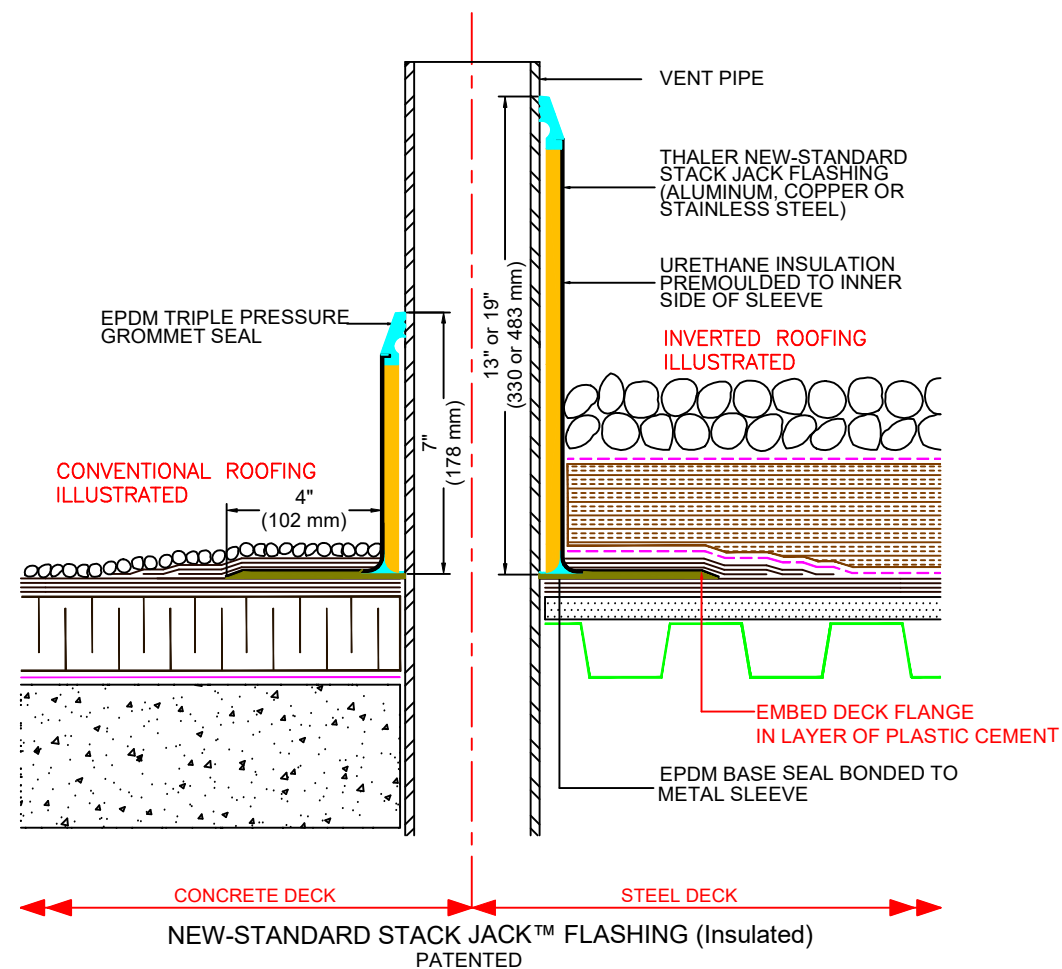


## Typical Parapet Construction



A continuous 18 gauge galvanized cleat is to be installed to insure outside face of flashing is firmly attached to outside face whenever outside face of flashing exceeds 3". No fasteners will be accepted on the outside face.

## Thaler Stackjack SJ-37 & 38



26 Gauge counter flashing complete with approx. 1/2" 45 degree bottom kick out is to be installed over all membrane stripping. Terminate flashing about 1" above top of new roofing. Do not install any fasteners behind the cap flashing and use only lap joints. This is to allow easy removal for future repairs.

<b>Agassiz Consulting Group Ltd.</b> Box 41, Warren, Manitoba R0C 3E0 Office Phone: (204) 383-5538	
Project:	Commercial Building 1539 Waverley Winnipeg, MB
Date:	April 16, 2023
Drawing No.	D-1
File no:	3893-20D
Scale:	NTS