

METAL SLAT WR:

Galvanized Finish: Product # 52501063GLV

WIRE BASKET:

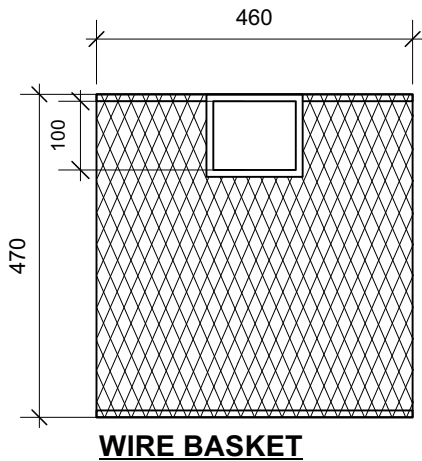
Galvanized Finish: Product # 52501063GLVi

Drawing Title:

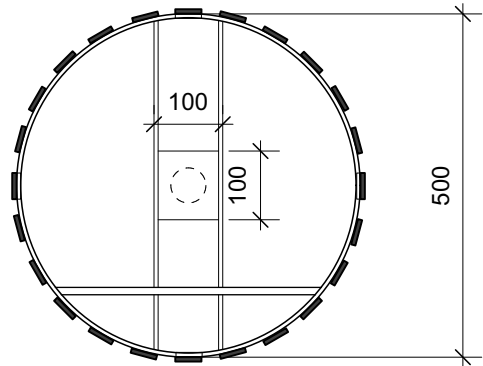
**WASTE RECEPTACLE
SIDE OPENING METAL SLAT TYPE**

Drawing No:

SCD-119

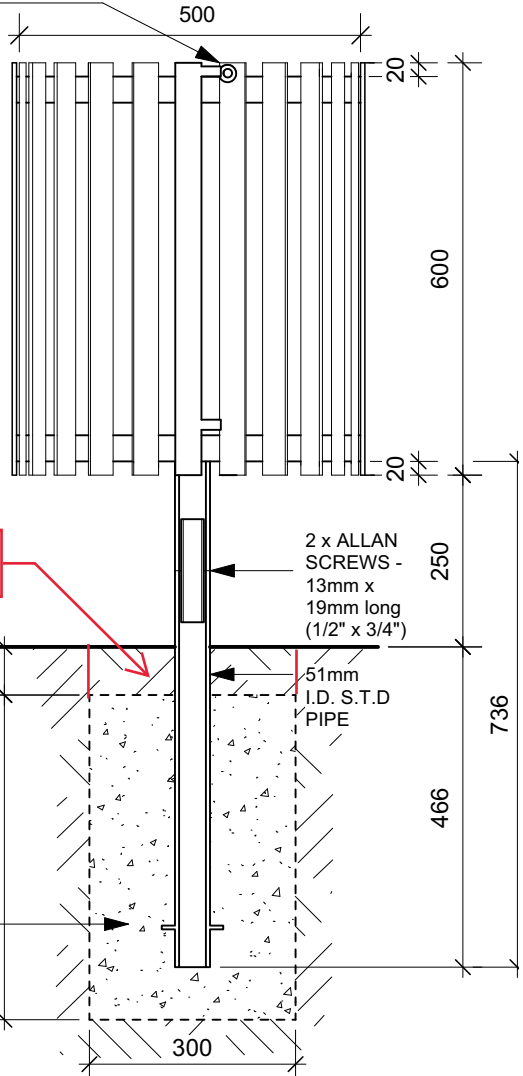


WIRE BASKET



PLAN

TO TAKE PADLOCK



Poured in place concrete base to be flush with finish grading

NOTE FOR GALVANIZED FINISH:

- METAL TO BE HOT DIPPED GALVANIZED.

METAL SLAT WR

CONCRETE BASE

DIMENSIONS SHOWN ARE IN MILLIMETRES UNLESS OTHERWISE SPECIFIED

REVISION: 5
DATE: July 12, 2023
SCALE: N.T.S.
DRAWN BY: GZ

The City of Winnipeg
Planning, Property and Development Department
Planning and Land Use Division
Unit 15 - 30 Fort Street, Winnipeg, MB, R3C 4X5

