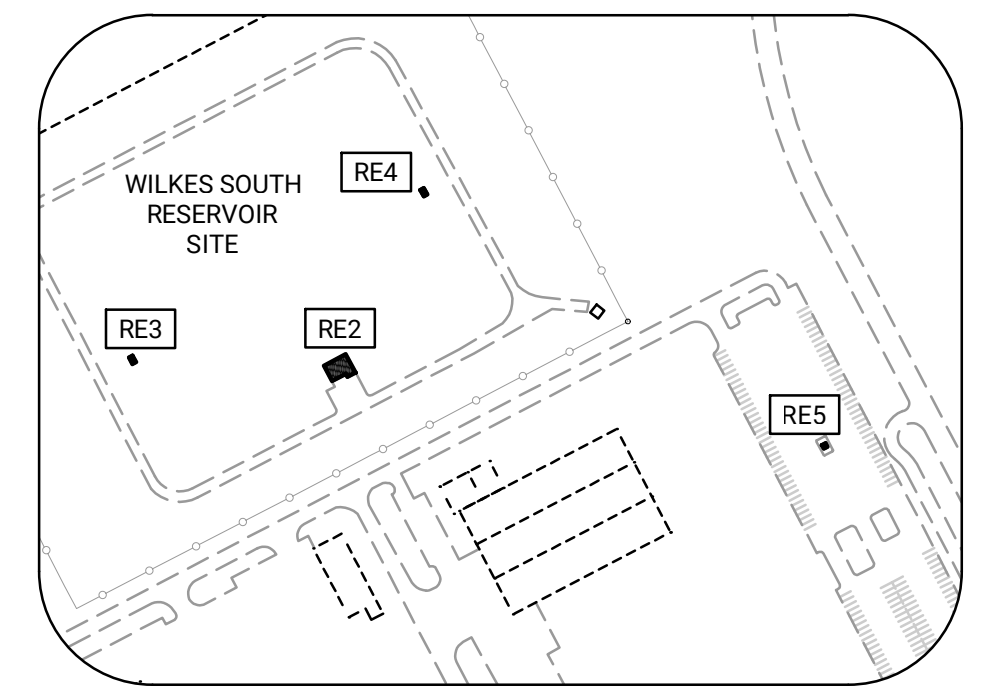


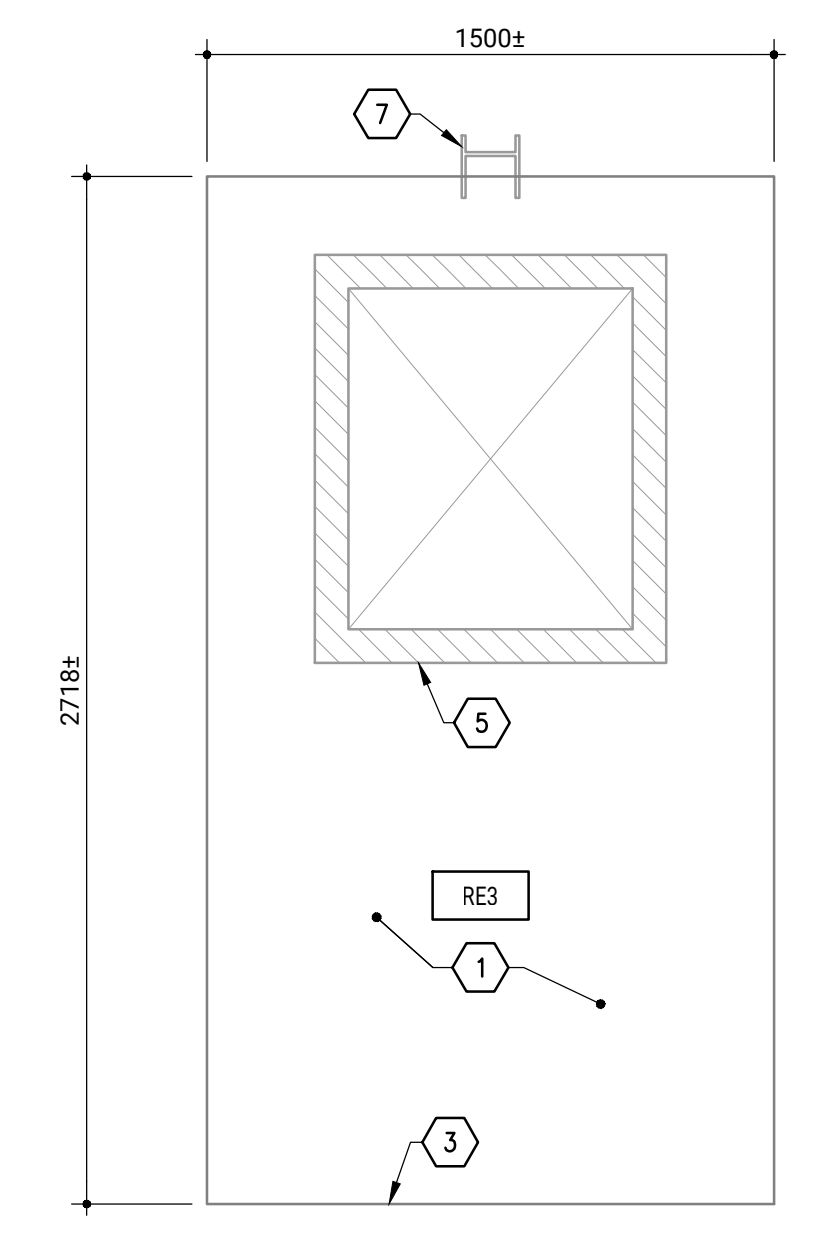
**ROOF PLAN - DEMOLITION**  
1:50

- ROOF PLAN KEYNOTES- DEMOLITION**
- 1 REMOVE AND DISCARD EXISTING ROOF ASSEMBLIES ON RE2, RE3, AND RE4 TO EXPOSE EXISTING DECK, REFER TO ASSEMBLY NOTES FOR EXISTING CONSTRUCTION, (TYPICAL)
  - 2 NO DEMOLITION REQUIRED ON R5.
  - 3 REMOVE AND DISCARD EXISTING METAL FLASHINGS, TRIMS ALONG ENTIRE PERIMETER, (TYPICAL)
  - 4 REMOVE AND RETAIN FOR RE-INSTALLATION EXISTING VENTILATION UNITS, REMOVE AND DISCARD EXISTING METAL FLASHINGS AND ASPHALT MEMBRANE FLASHINGS TO EXPOSE EXISTING CURBS. (TYPICAL)
  - 5 REMOVE AND RETAIN FOR RE-INSTALLATION EXISTING ROOF ACCESS UNIT, REMOVE AND DISCARD EXISTING ASPHALT MEMBRANE FLASHINGS TO EXPOSE EXISTING CURB.
  - 6 REMOVE AND DISCARD EXISTING METAL SCUPPER ASSEMBLIES, HOPPER, AND RAIN LEADERS, (TYPICAL)
  - 7 ACCESS LADDERS TO REMAIN

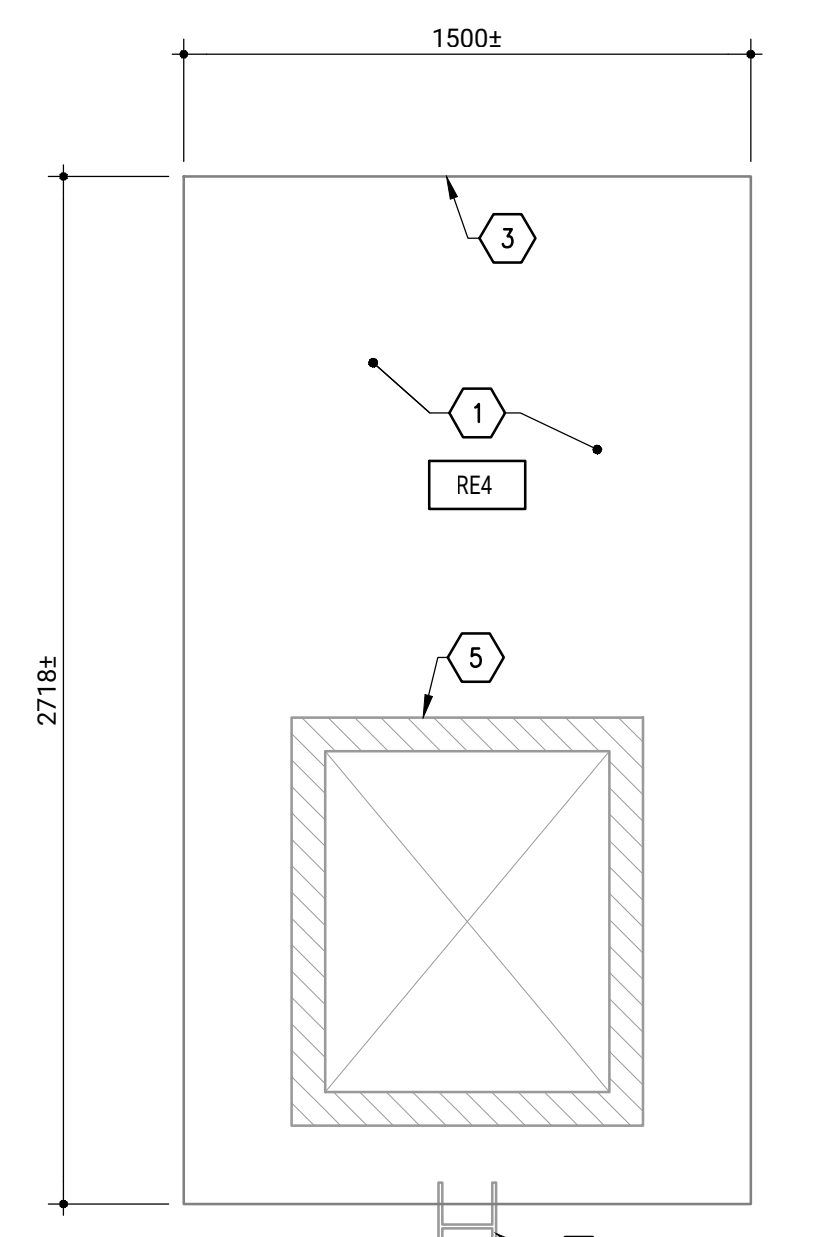
- EXISTING ROOF LEGEND**
- RE2
    - GRAVEL BALLAST
    - 4-PLY ASPHALTIC MEMBRANE
    - 13mm FIBERBOARD, ASPHALT ADHERED
    - 50mm RIGID INSULATION, ASPHALT ADHERED
    - 2-PLY ASPHALTIC VAPOUR BARRIER, ASPHALT ADHERED
    - EXISTING CONCRETE DECK
  - RE3
    - GRAVEL BALLAST
    - 4-PLY ASPHALTIC MEMBRANE
    - 13mm FIBERBOARD, ASPHALT ADHERED
    - 40MM EXPANDED POLYSTYRENE INSULATION, ASPHALT ADHERED
    - 2-PLY ASPHALTIC VAPOUR BARRIER, ASPHALT ADHERED
    - EXISTING CONCRETE DECK
  - RE4
    - GRAVEL BALLAST
    - 4-PLY ASPHALTIC MEMBRANE
    - 13mm FIBERBOARD, ASPHALT ADHERED
    - 40MM EXPANDED POLYSTYRENE INSULATION, ASPHALT ADHERED
    - 2-PLY ASPHALTIC VAPOUR BARRIER, ASPHALT ADHERED
    - EXISTING CONCRETE DECK
  - RE5
    - EXISTING CONCRETE DECK



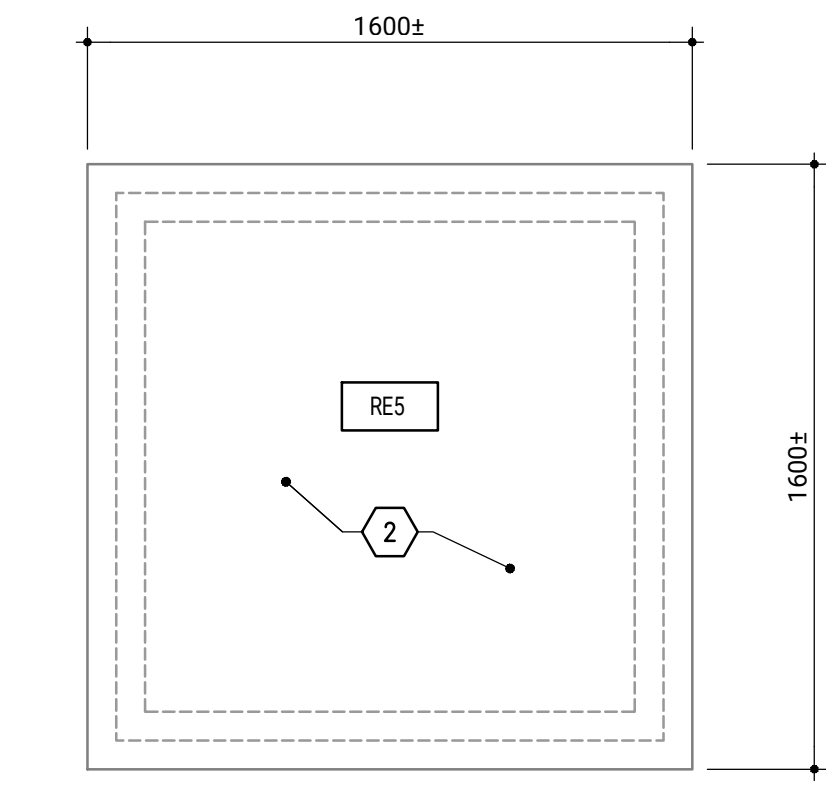
- BUILDING NAMES**
- RE2 WILKES SOUTH RESERVOIR ACCESS BUILDING
  - RE3 EMERGENCY ESCAPE HATCH/VENT WEST
  - RE4 EMERGENCY ESCAPE HATCH/VENT EAST
  - RE5 ORIFICE METERING CHAMBER SUPERSTRUCTURE



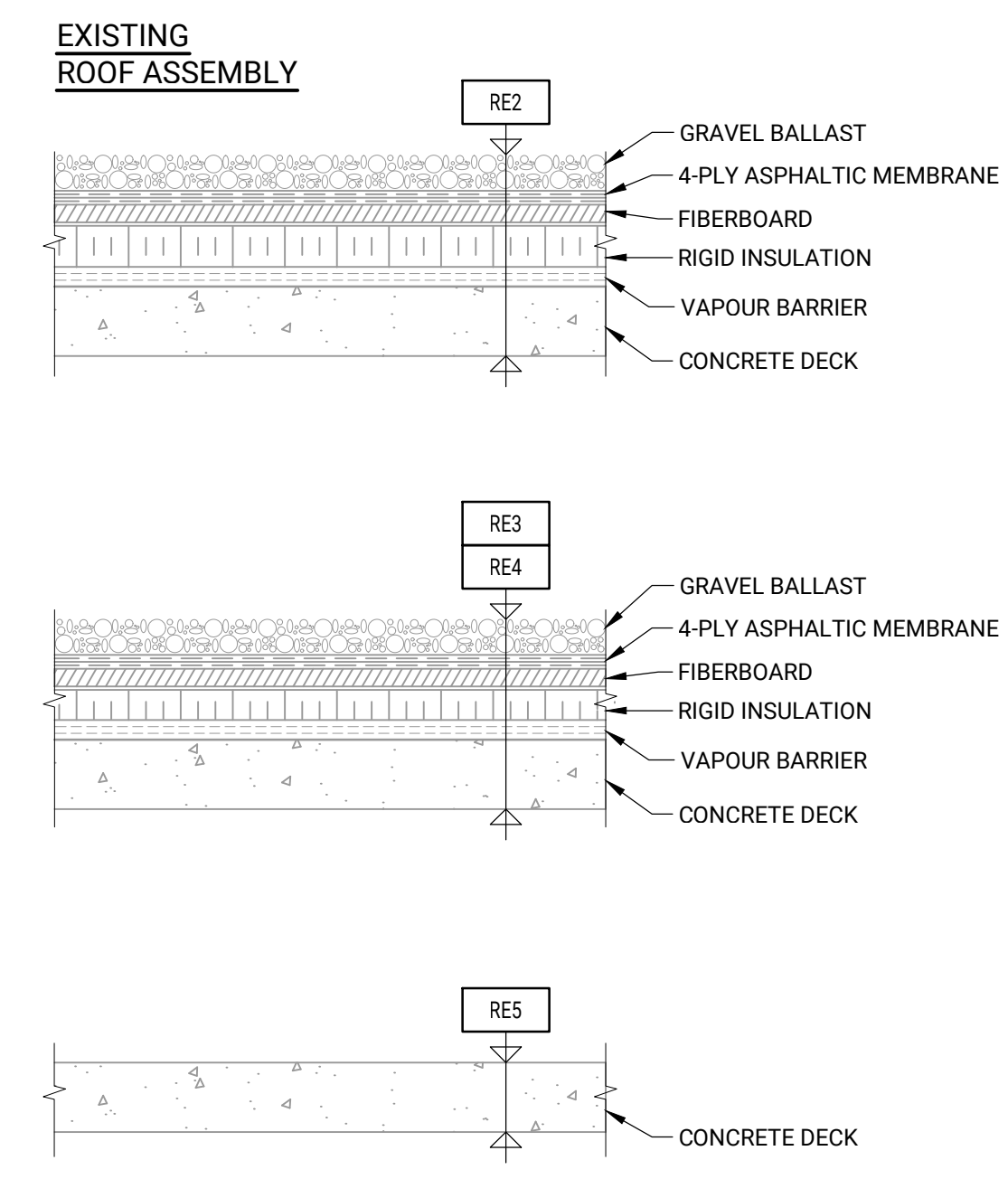
**ROOF PLAN - DEMOLITION**  
1:20



**ROOF PLAN - DEMOLITION**  
1:20



**ROOF PLAN - DEMOLITION**  
1:20



10		
9		
8		
7		
6		
5		
4		
3		
2	1-650R-B0007-001	BUILDING ROOF DEMOLITION PLAN
1	1-650R-D0005-001	DRAWING INDEX, NOTES, SCHEDULE & LEGENDS
NO.	DRAWING NUMBER	REFERENCE DRAWING TITLE

**ENGINEERS GEOSCIENTISTS MANITOBA**  
Certificate of Authorization  
Crosier Kilgour & Partners Ltd.  
No. 235

B.M. ELEV.			
0	ISSUED FOR TENDER	23/12/11	JAW
NO.	REVISIONS	DATE	BY
		2023/12/11	

**Crosier Kilgour**  
Structural Engineering & Building Performance

DESIGNED BY	G.J.H.	CHECKED BY	JAW
DRAWN BY	LOL	APPROVED BY	SEZ
SCALE:	NTS	RELEASED FOR CONSTRUCTION BY:	
		DATE	2023/12/11

ENGINEER'S SEAL  
PROVINCE OF MANITOBA  
**J.A. WELLS**  
2023-12-11  
REGISTERED PROFESSIONAL ENGINEER  
CONSULTANT DRAWING NO. S2.21

**THE CITY OF WINNIPEG**  
WATER AND WASTE DEPARTMENT  
ENGINEERING DIVISION

RESERVOIR ACCESS BUILDING ROOF REPLACEMENTS  
WILKES SOUTH RESERVOIR ACCESS BUILDING

CITY FILE NUMBER W-1014  
SHEET 1 OF 1  
CITY DRAWING NUMBER 1-650R-B0007-001

BUILDING ROOF DEMOLITION PLAN