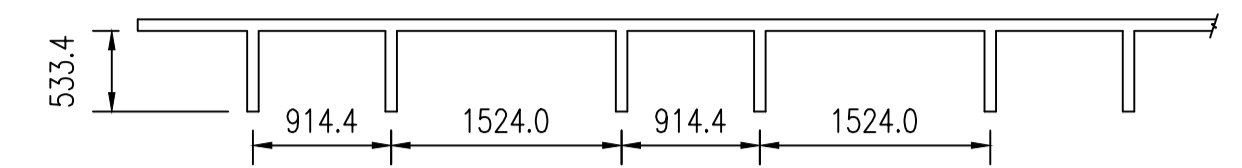


INTERLOCK SCHEDULE		
INITIATING DEVICE	CONTROLLED DEVICE	ACTION
ALL	FAS-B101-R01	RELEASE MAGNETICALLY HELD OPEN FIRE DOOR

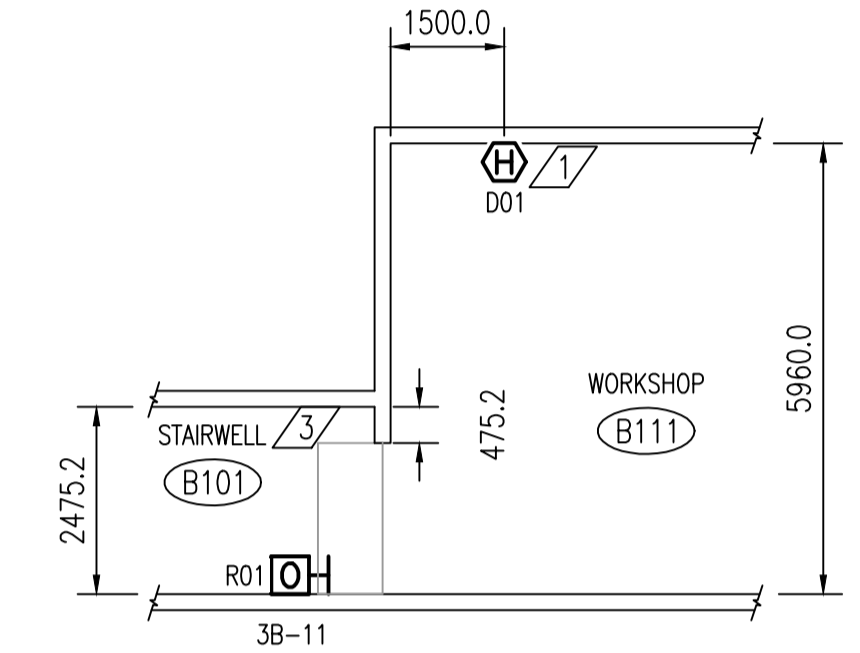
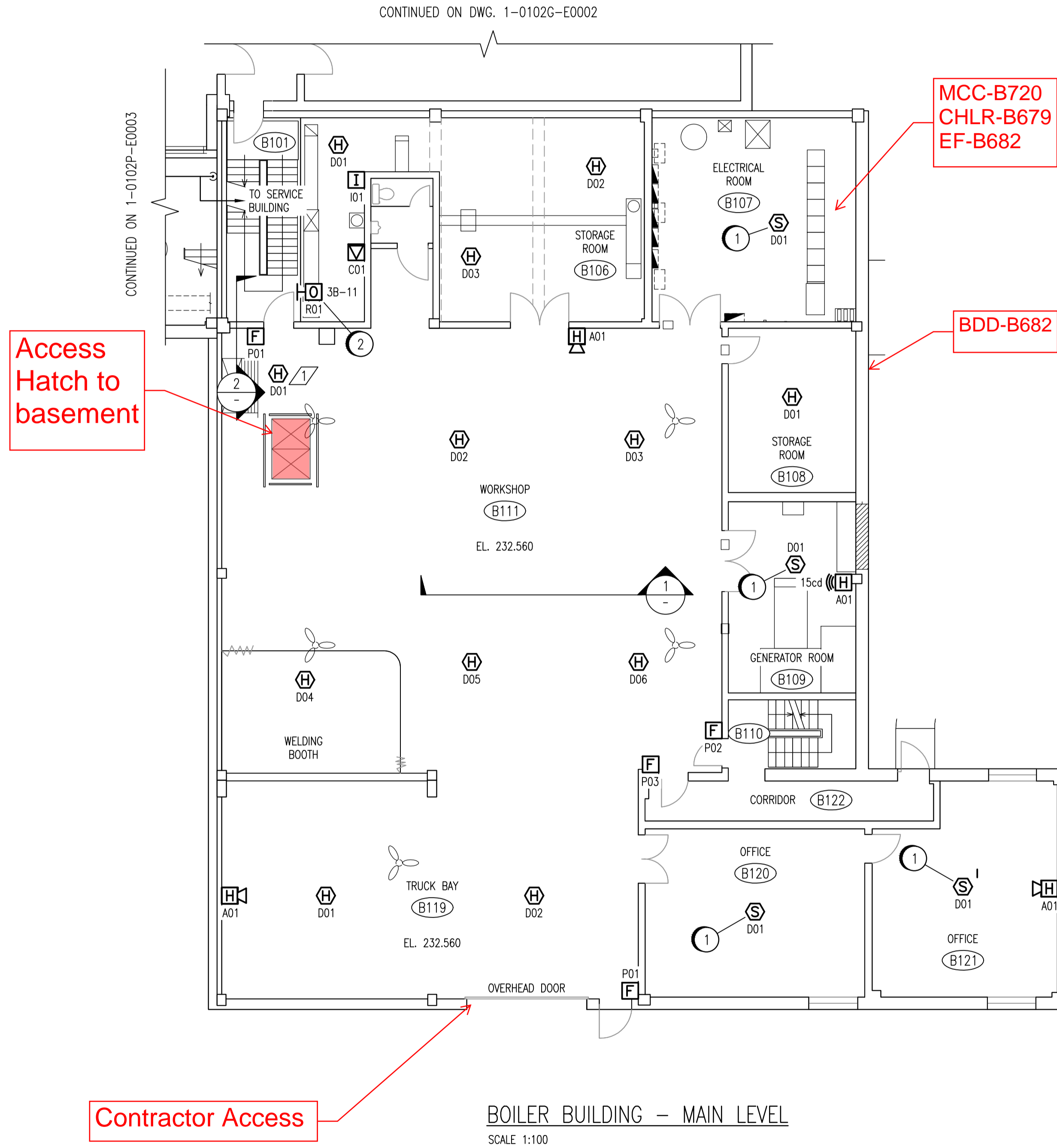


1 CEILING BEAM SECTION  
SCALE 1:50

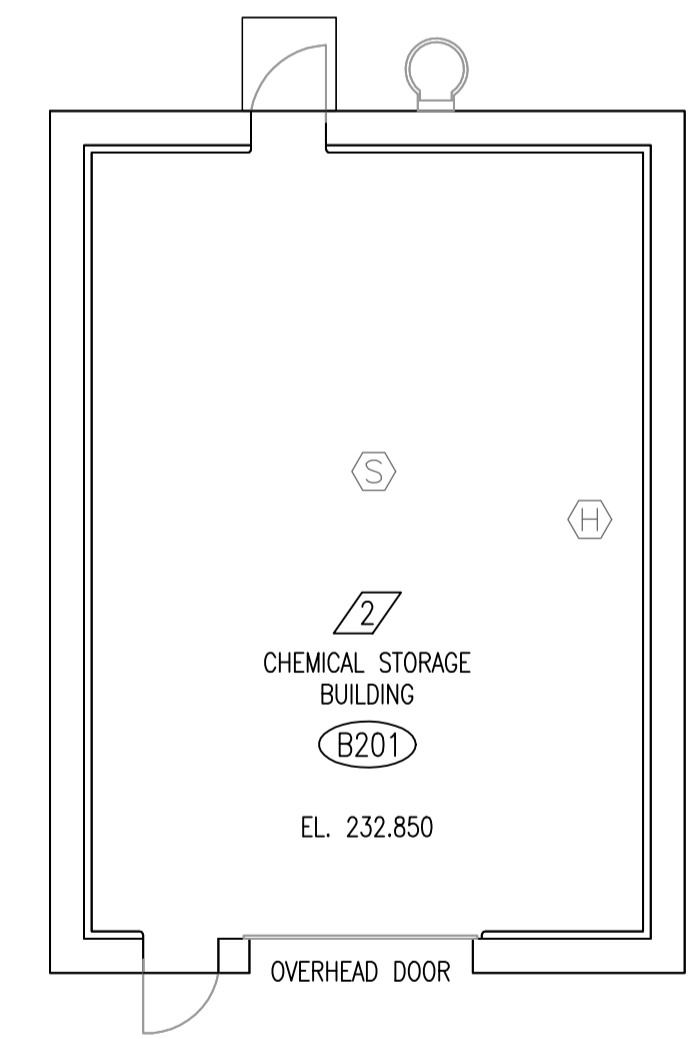
CONSTRUCTION NOTES	
1	REPLACE EXISTING DETECTORS. REMOVE ALL WIRING TO DCS.
2	INSTALL PENETRATIONS AS PER DETAILS 1 AND 2 OF 1-0102A-E0008.

ROOM DETAILS			
ROOM ID	HEIGHT	CEILING TYPE	REF DWG
B101	(<18m)	SEE DETAIL 1	-
B106	2.54m	CONCRETE (457mm DEEP BEAMS AS SHOWN)	SEP-870
B107	2.54m	CONCRETE	SEP-870
B108	2.60m	CONCRETE	-
B109	2.60m	CONCRETE	-
B110	(<18m)	SEE DETAIL 1	-
B111	5.96m	SEE DETAIL 1	SEP-891
B119	5.96m	CONCRETE	SEP-891
B120	2.42m	SUSPENDED ACOUSTIC TILE	SEP-891
B121	2.42m	SUSPENDED ACOUSTIC TILE	SEP-891
B201	4.20m	CONCRETE	SEP-926

DESIGN INTENT NOTES	
1	FAS-B111-D01 IS INTENDED TO ACTIVATE DOOR RELEASE FAS-B101-R01 IN THE EVENT OF A FIRE.
2	A FIRE ALARM SYSTEM WILL NOT BE INSTALLED IN THE CHEMICAL STORAGE BUILDING, AS IT WILL BE DEMOLISHED AS PART OF FUTURE PLANT UPGRADES.
3	AS THE DEPTH OF THE WALL SECTION ABOVE THE DOOR IS LESS < 600mm ON THE STAIRWELL SIDE OF THE DOOR, DETECTION FOR THE DOOR RELEASE IS NOT REQUIRED ON BOTH THE STAIRWELL AND WORKSHOP SIDE OF THE DOOR.



2 DOOR RELEASE SMOKE DETECTOR PLACEMENT  
SCALE 1:100

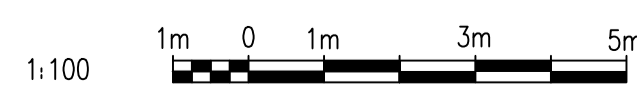


CHEMICAL STORAGE BUILDING  
SCALE 1:100

NOTES:  
1. DEVICE TAGS ARE SHOWN IN SHORTHAND NOTATION. FULL DEVICE TAG FORMAT IS FAS-Bxxx-yyy, WHERE xxx IS THE ROOM NUMBER, AND yyy IS THE DEVICE IDENTIFIER.

**AS-BUILT DRAWING**  
THIS DRAWING WAS PREPARED USING UNVERIFIED INFORMATION PROVIDED BY OTHERS AND THEREFORE NO WARRANTY OR CERTIFICATION IS PROVIDED.

**APEGM**  
Certificate of Authorization  
**SNC-Lavalin Inc.**  
No. 4489



NO.	REVISIONS	DATE	DESIGN	CHECK
01	AS-BUILT, BID OPP. 209-2011	2012/05/01	-	TMC
00	ISSUED FOR TENDER, BID OPP. 209-2011	2011/03/11	EFB	CJR

 SNC-LAVALIN INC. 148 Nature Park Way Winnipeg, MB, Canada R3P 0X7 204-786-8080	
DESIGNED BY: E. BOHNCKE	CHECKED BY: C. REIMER
DRAWN BY: E. BOHNCKE	APPROVED BY: C. REIMER
SCALE: AS SHOWN	RELEASED FOR CONSTRUCTION BY: N. HARRINGTON DATE: 2011/03/11
CONSULTANT NO.: 112577-0101-47DD-0031	

ENGINEER'S SEAL  
ORIGINAL DRAWING  
SEALED BY:  
C. J. REIMER  
SNC-LAVALIN  
MEMBER #21968  
2011/03/25  
REV. 00

**THE CITY OF WINNIPEG**  
WATER AND WASTE DEPARTMENT

SOUTH END WATER POLLUTION CONTROL CENTRE  
FIRE ALARM UPGRADE  
PLAN LAYOUT  
FIRE ALARM - SERVICE BUILDING  
MAIN LEVEL

CITY DRAWING NUMBER: 1-0102B-E0001  
SHEET: 001  
REV: 01  
SIZE: A1

DRAWING NUMBER	REFERENCE DRAWINGS
SEP-2135	SMOKE DETECTORS LOOPS B533/B542
SEP-2132	SMOKE DETECTORS LOOPS B504/B507/B508
SEP-906	LIGHTING & BUILDING SERVICES - FLOOR PLAN
1-0102B-E0006	PLAN LAYOUT - ELECTRICAL ROOM
1-0102B-E0008	PANEL SCHEDULE - SERVICE BUILDING
1-0102B-E0009	ELECTRICAL CLASSIFICATION PLAN
1-0102A-E0001	FIRE ALARM LEGEND AND DETAILS