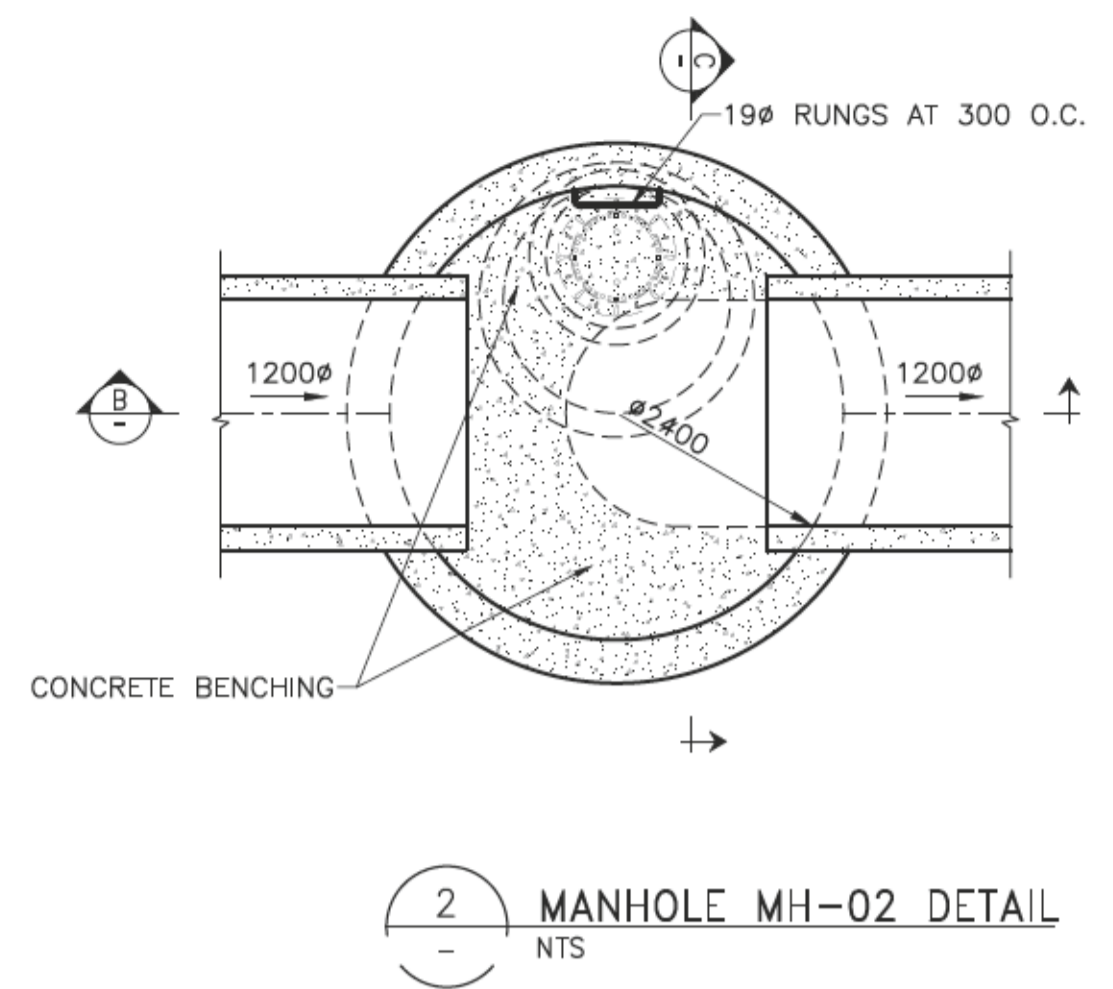
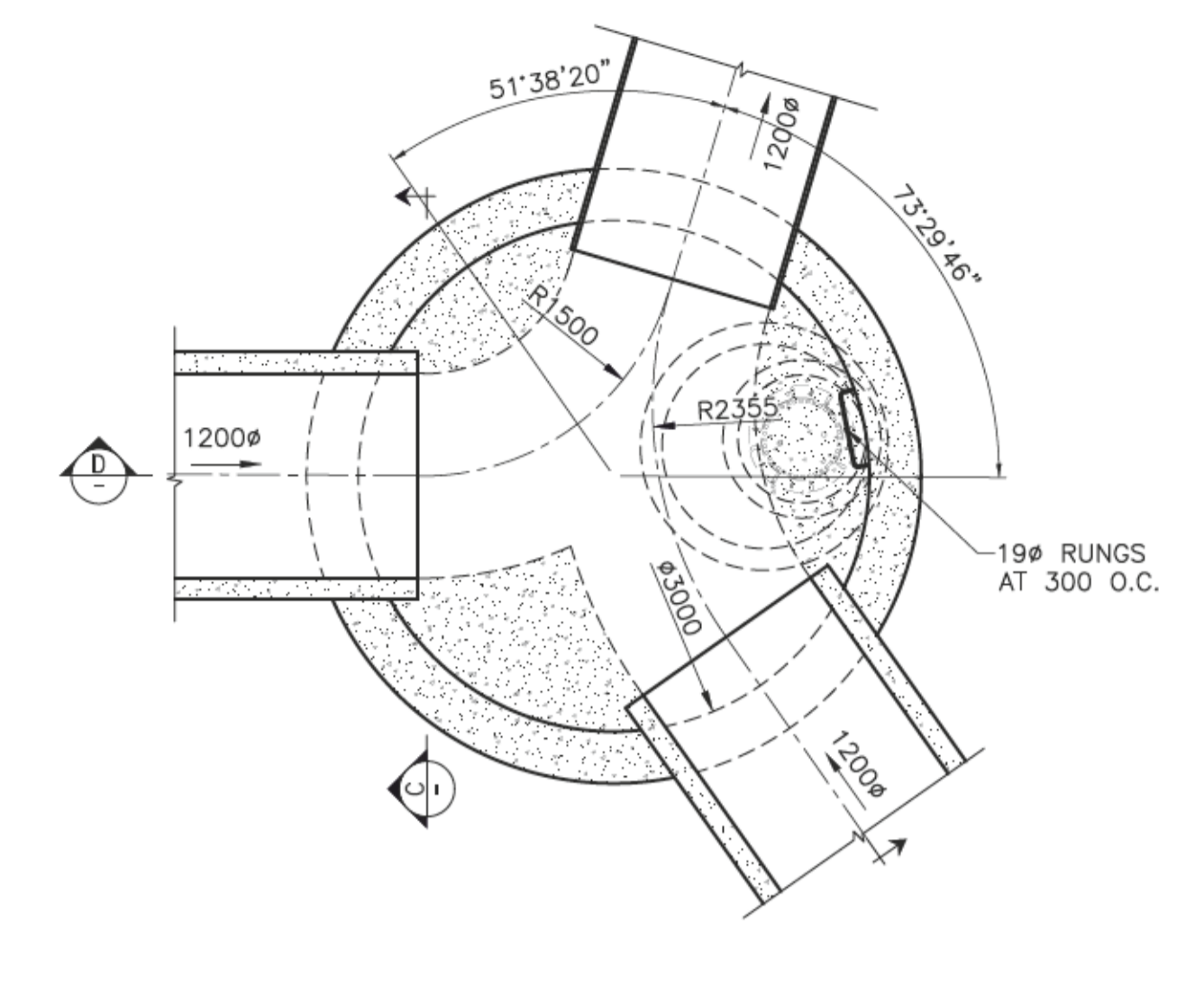


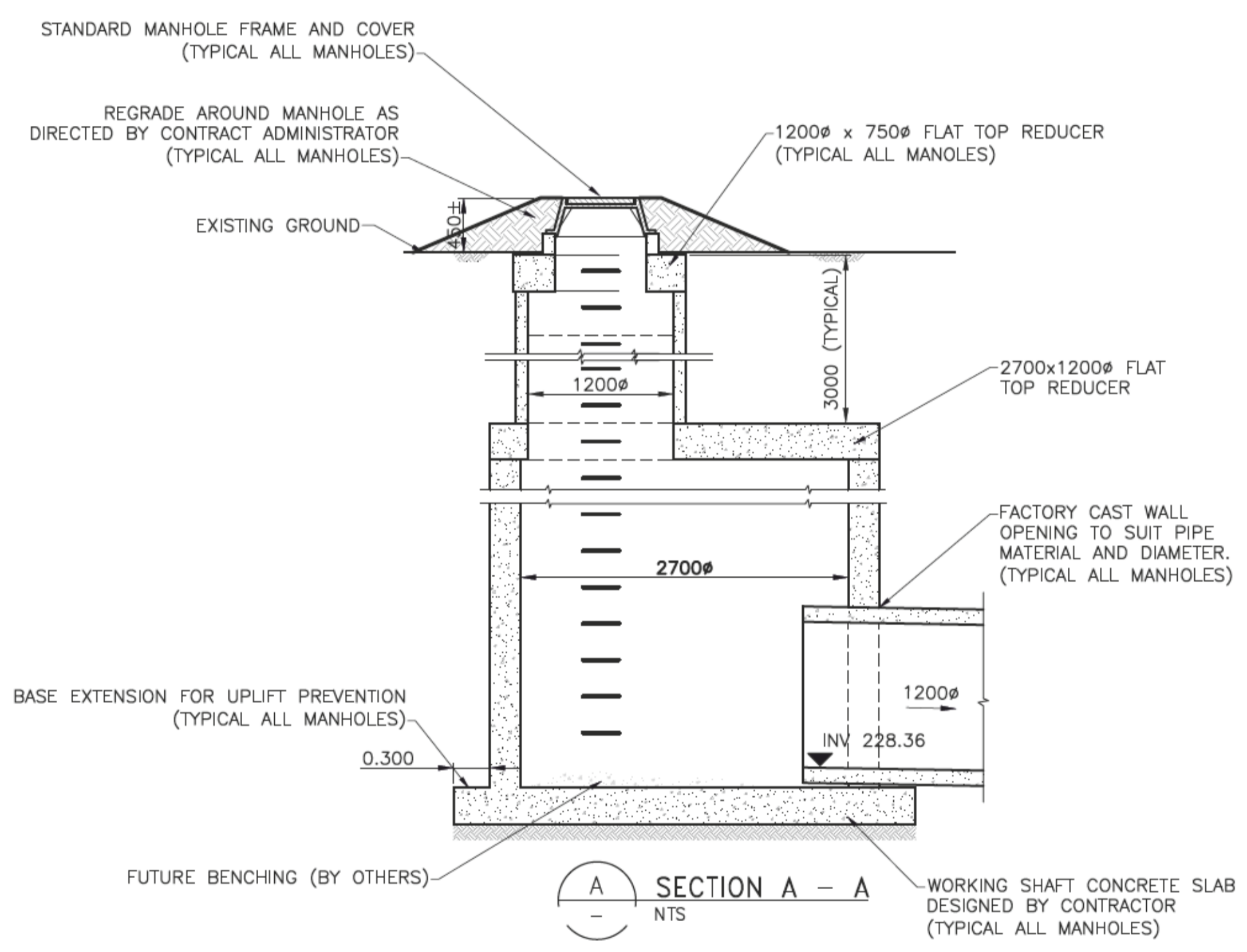
1 MANHOLE MH-01 & MH-04 DETAIL  
NTS



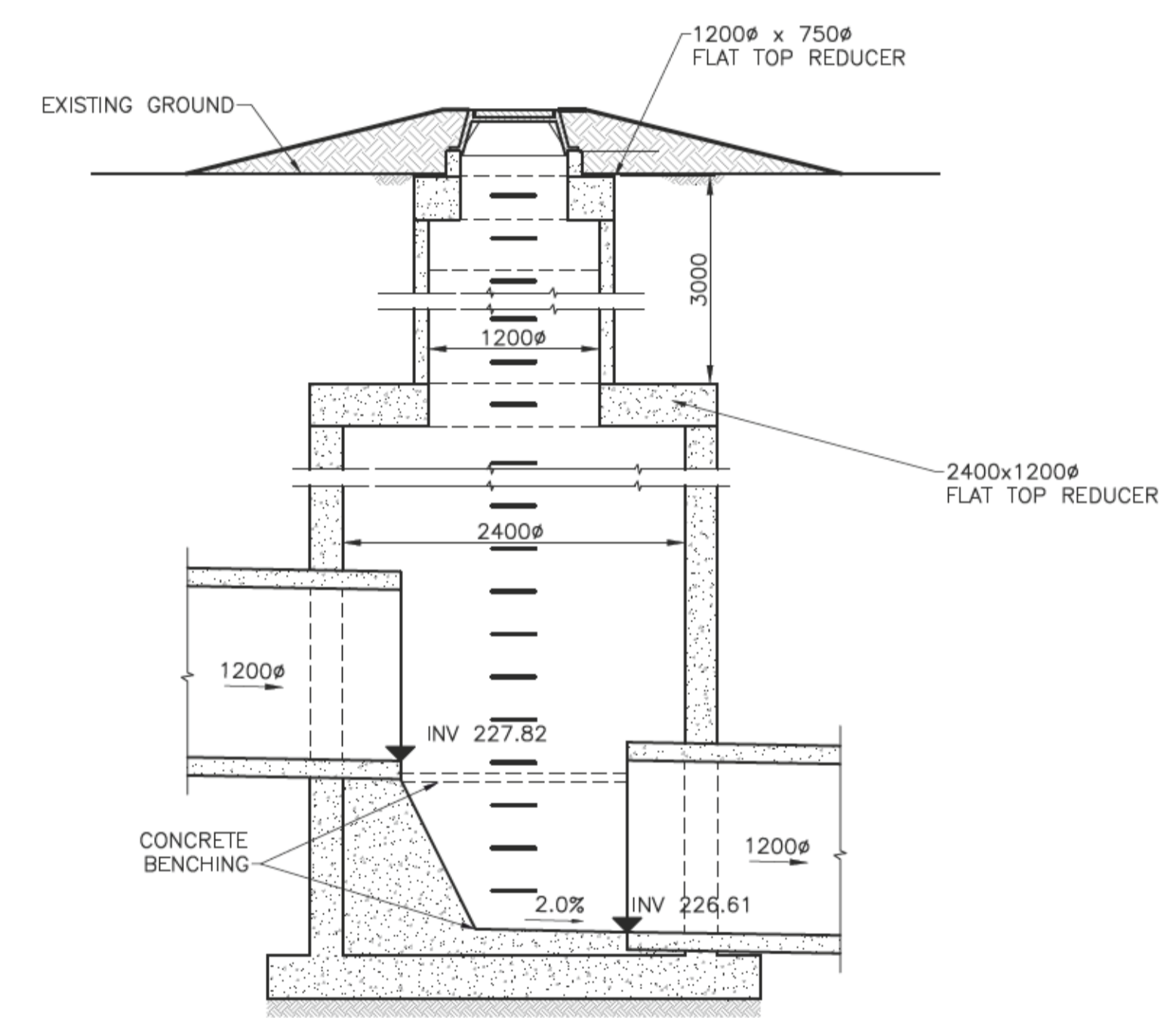
2 MANHOLE MH-02 DETAIL  
NTS



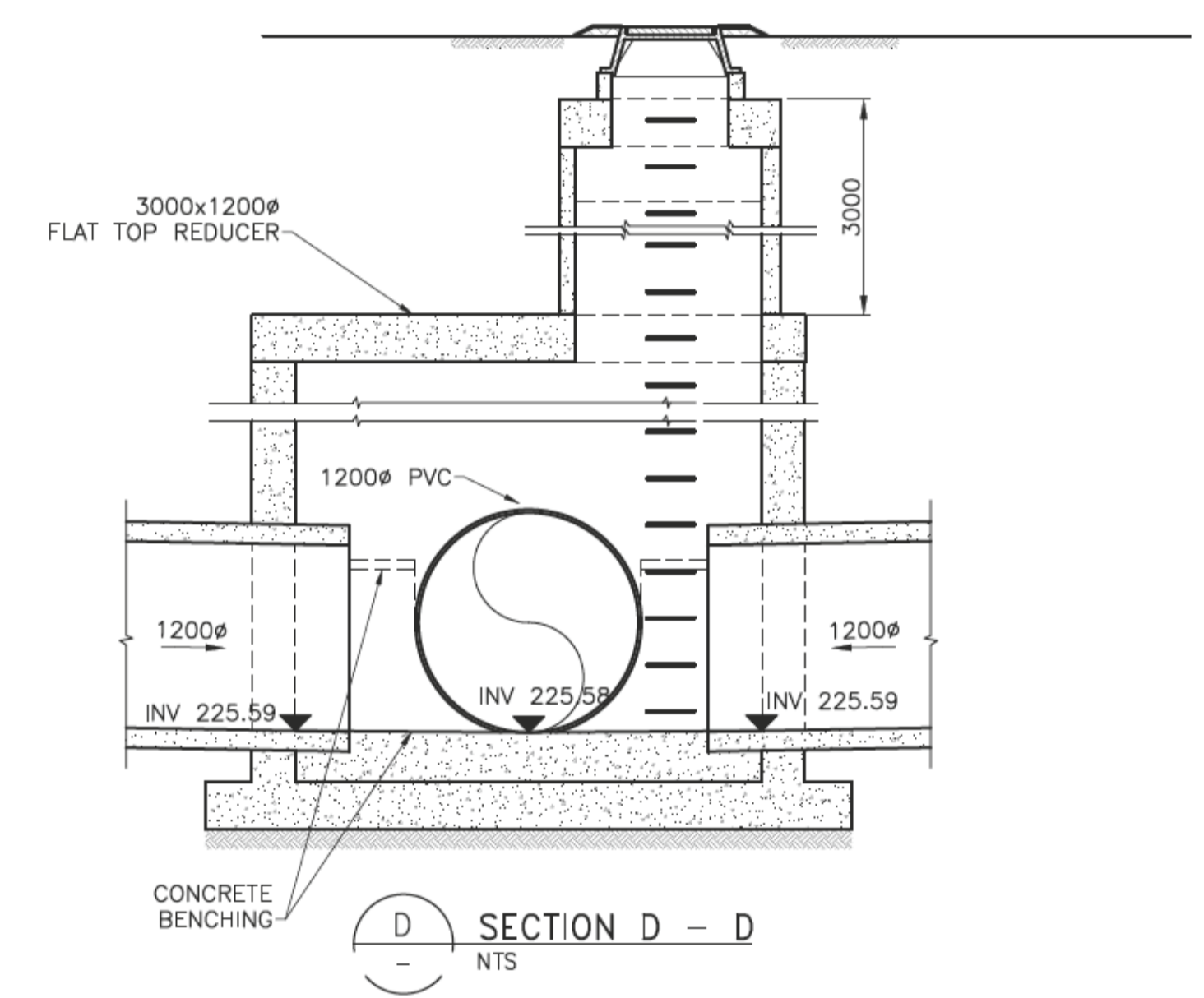
3 MANHOLE MH-03 DETAIL  
NTS



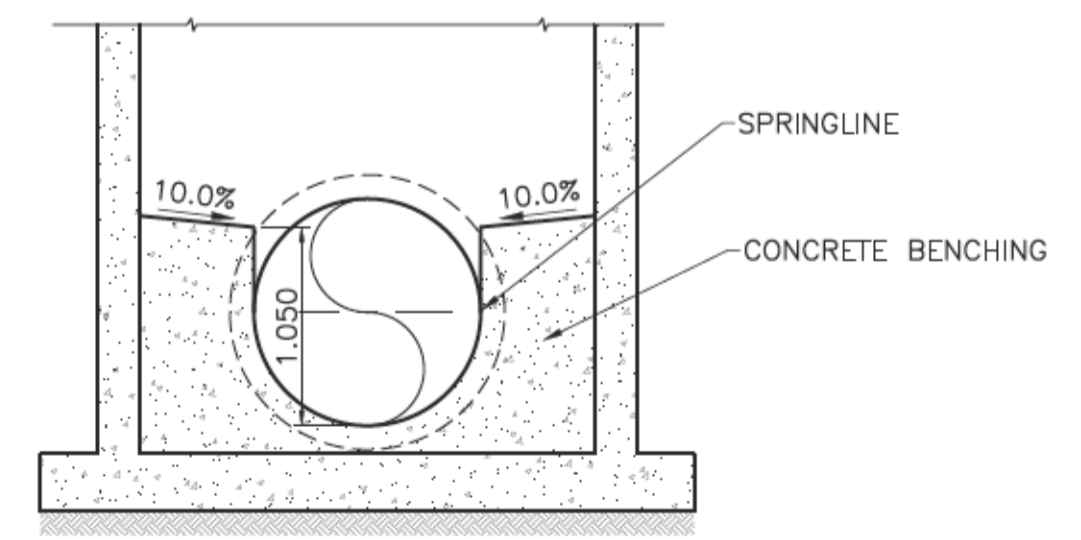
A SECTION A - A  
NTS



B SECTION B - B  
NTS



D SECTION D - D  
NTS



C SECTION C - C  
NTS

- TYPICAL MANHOLE NOTES:**  
**LADDER RUNGS:**  
 1. LADDER RUNGS TO BE POLYCOATED ALUMINUM, MSU MODEL 360 OR APPROVED EQUIVALENT.  
 2. DIMENSIONS AND SPACING TO CITY OF WINNIPEG STANDARD NO. CoW-SM-14.
- CONCRETE PROTECTION:**  
 3. MANHOLES TO BE HDPE LINED WITH 4mm THICK HDPE LINER TO BE IN ACCORDANCE WITH SPECIFICATION E23.  
 4. EPOXY COAT UNLINED MAHHPLE INTERIOR INCLUDING PRECAST RINGS, UNLINED JACKING PIPE ENDS, CAST-IN-PLACE CONCRETE BENCHING, AND MORTARED PIPE-TO-MANHOLE CONNECTIONS.  
 5. EPOXY COATING TO BE IN ACCORDANCE WITH SPECIFICATION 23.
- CAST-IN-PLACE MATERIALS:**  
 6. CAST-IN-PLACE CONCRETE BENCHING AND PIPE-TO-MANHOLE CONNECTIONS GROUT/MORTAR IN ACCORDANCE CW2160.
- BACKFILL:**  
 7. CEMENT STABILIZED FILL IN ACCORDANCE WITH CONTRACT SPECIFICATIONS.

- NOTES:**  
 1. REFER TO GENERAL NOTES PERTAINING TO PRECAST MAINTENANCE HOLES.



FOR INDEX SEE C-3-102

<b>PROPERTY LIMITS DELINEATION</b> DELINEATION OF PROPERTY LIMITS AS SHOWN ON THIS DWG DOES NOT REPRESENT A "LEGAL SURVEY". KGS GROUP AND ASSOCIATED ENGINEERING MAKES NO REPRESENTATION OR WARRANTY AS TO THE ACCURACY OF PROPERTY LIMITS DELINEATED ON THIS DWG, NOR ON THE DIMENSIONAL ACCURACY OF DWG FEATURES RELATIVE TO THOSE PROPERTY LIMITS.	<b>WARNING</b> IF POWER EQUIPMENT OR EXPLOSIVES ARE TO BE USED FOR EXCAVATION ON THIS PROJECT THE CONTRACTOR MUST: <b>1) NOTIFY THE GAS COMPANY OF THE PROPOSED LOCATION OF EXCAVATION.</b> <b>2) TAKE PRECAUTION TO AVOID DAMAGE TO GAS COMPANY INSTALLATIONS.</b> SEE PROVINCIAL REGULATION 210/72 FOR DETAILS	<b>LOCATION APPROVED UNDERGROUND STRUCTURES</b> SUPV. U/G STRUCTURES COMMITTEE DATE NOTE: LOCATION OF UNDERGROUND STRUCTURES AS SHOWN ARE BASED ON THE BEST INFORMATION AVAILABLE BUT NO GUARANTEE IS GIVEN THAT ALL EXISTING UTILITIES ARE SHOWN OR THAT THE GIVEN LOCATIONS ARE EXACT. CONFIRMATION OF EXISTENCE AND EXACT LOCATION OF ALL SERVICES MUST BE OBTAINED FROM THE INDIVIDUAL UTILITIES BEFORE PROCEEDING WITH CONSTRUCTION.	VERTICAL DATUM: CGVD28 (HT2.0 Geoid) HORIZONTAL DATUM: NAD83 (June 1990), Zone 14	<b>KGS GROUP</b> Associated Engineering	DESIGNED BY: CON CHECKED BY: JL DRAWN BY: GLG APPROVED BY: RBO SCALE: HORIZONTAL VERTICAL 2024-04-19 DATE: 2024 04 19	ENGINEER'S SEAL TUNNELLING WORKS ENGINEER'S SEAL CIVIL WORKS CONSULTANT DRAWING NUMBER: C-3-109	<b>THE CITY OF WINNIPEG</b> WATER AND WASTE DEPARTMENT ENGINEERING SERVICES DIVISION CENTREPORT SOUTH REGIONAL WATER AND WASTEWATER SERVICING - PHASE 1A (CONTRACT 3) <b>MISCELLANEOUS DETAILS</b> SHEET 2	SHEET 9 OF 9 CITY DRAWING NUMBER: 13447
			NO. REVISIONS DATE (YYYY/MM/DD) BY					