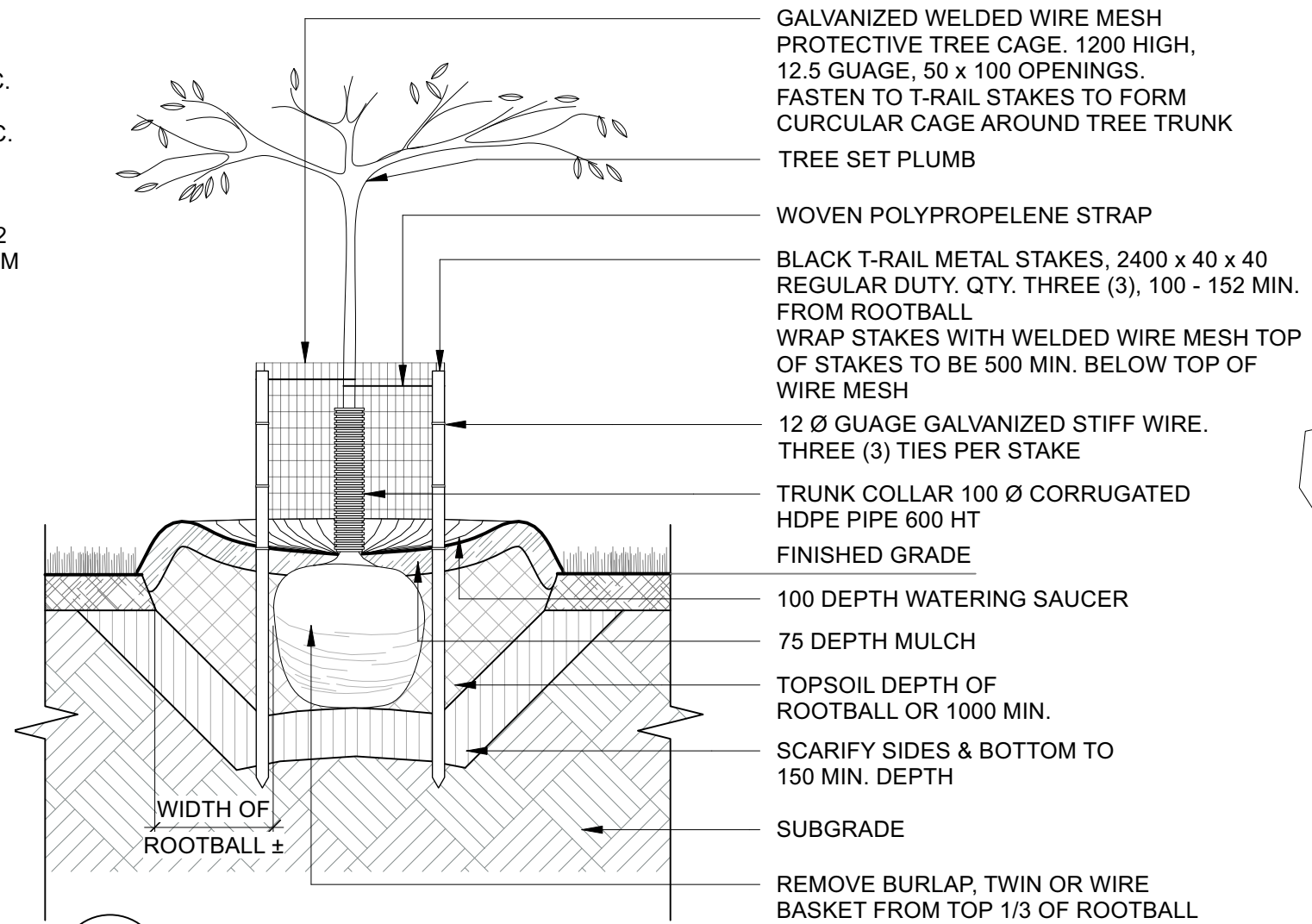
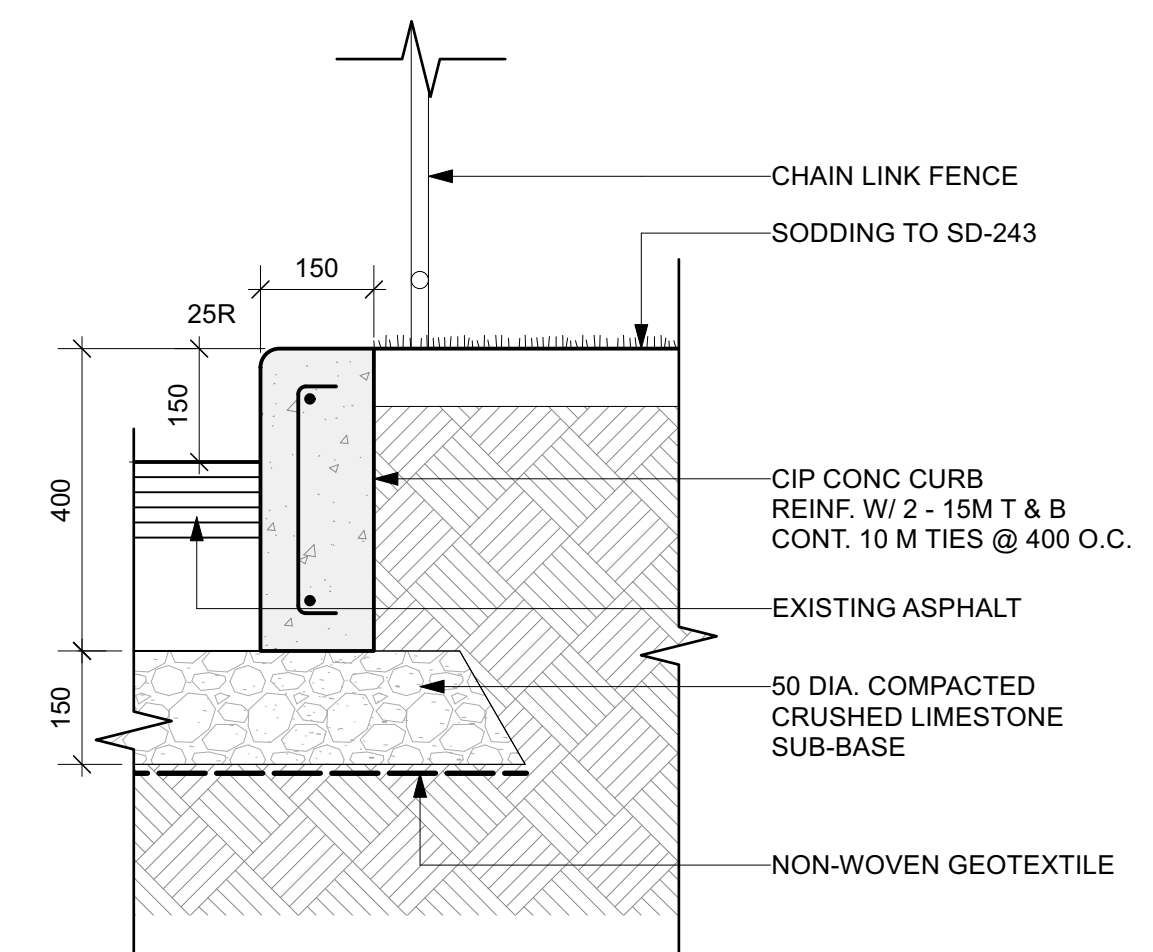
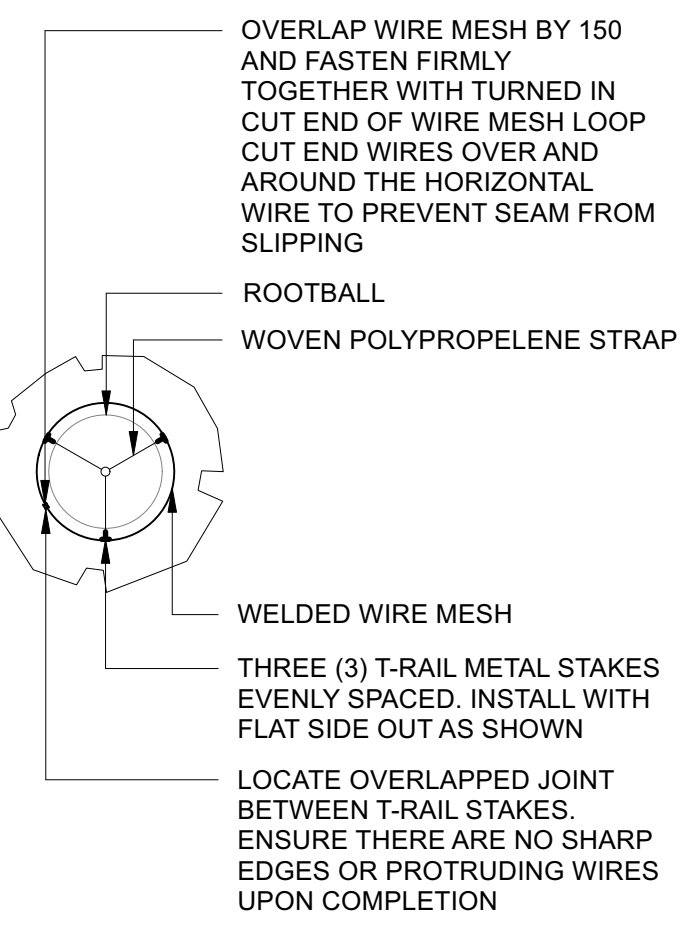


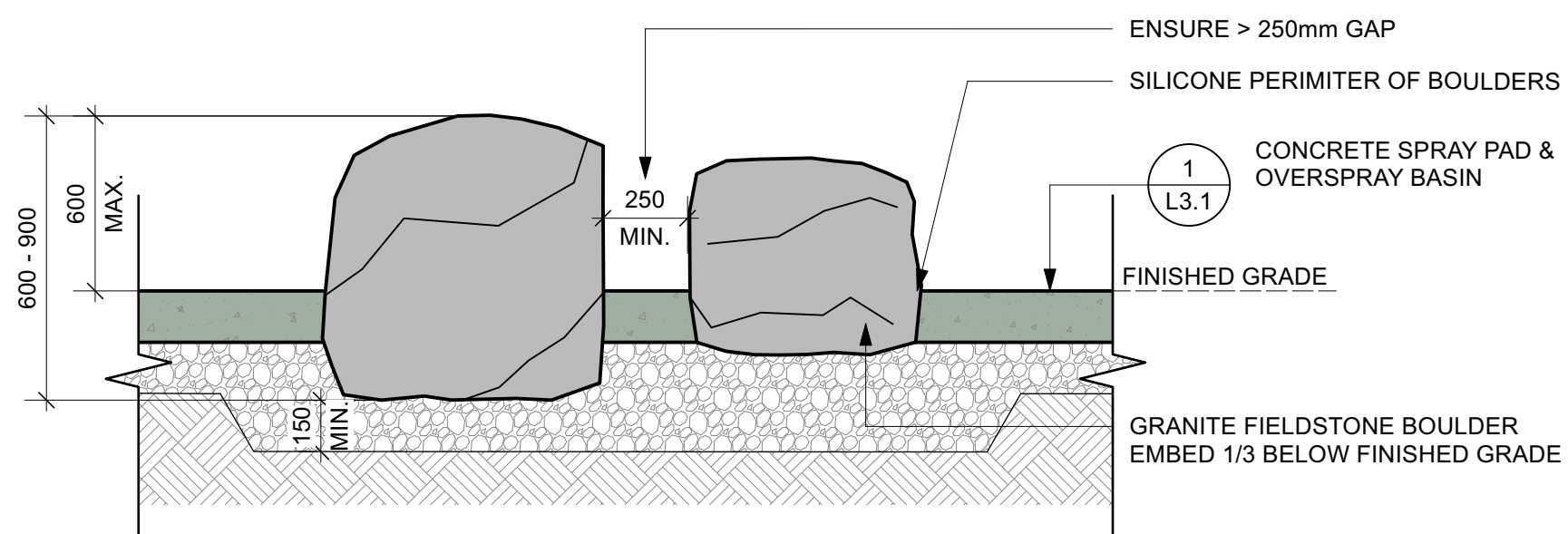
1 CONCRETE SPRAY PAD & OVERSPRAY BASIN
Scale: 1:20



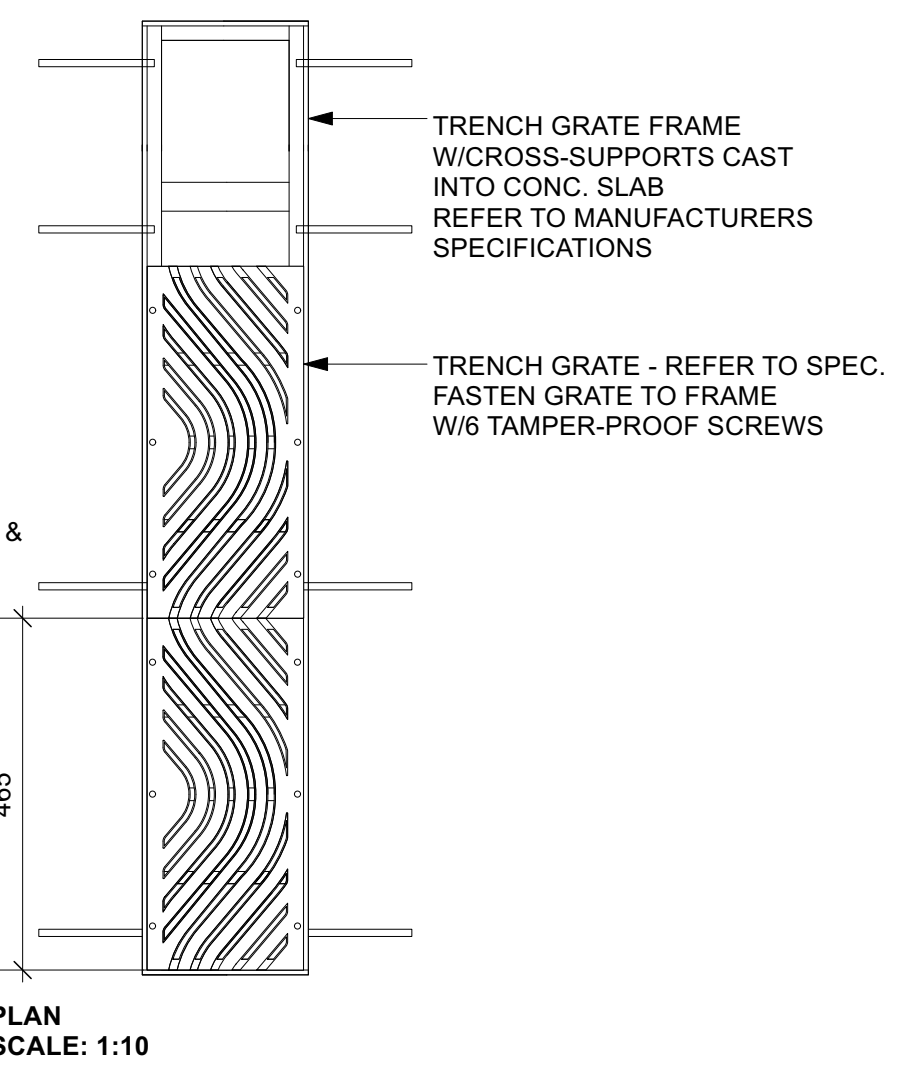
2 DECIDUOUS TREE PLANTING
Scale: 1:20



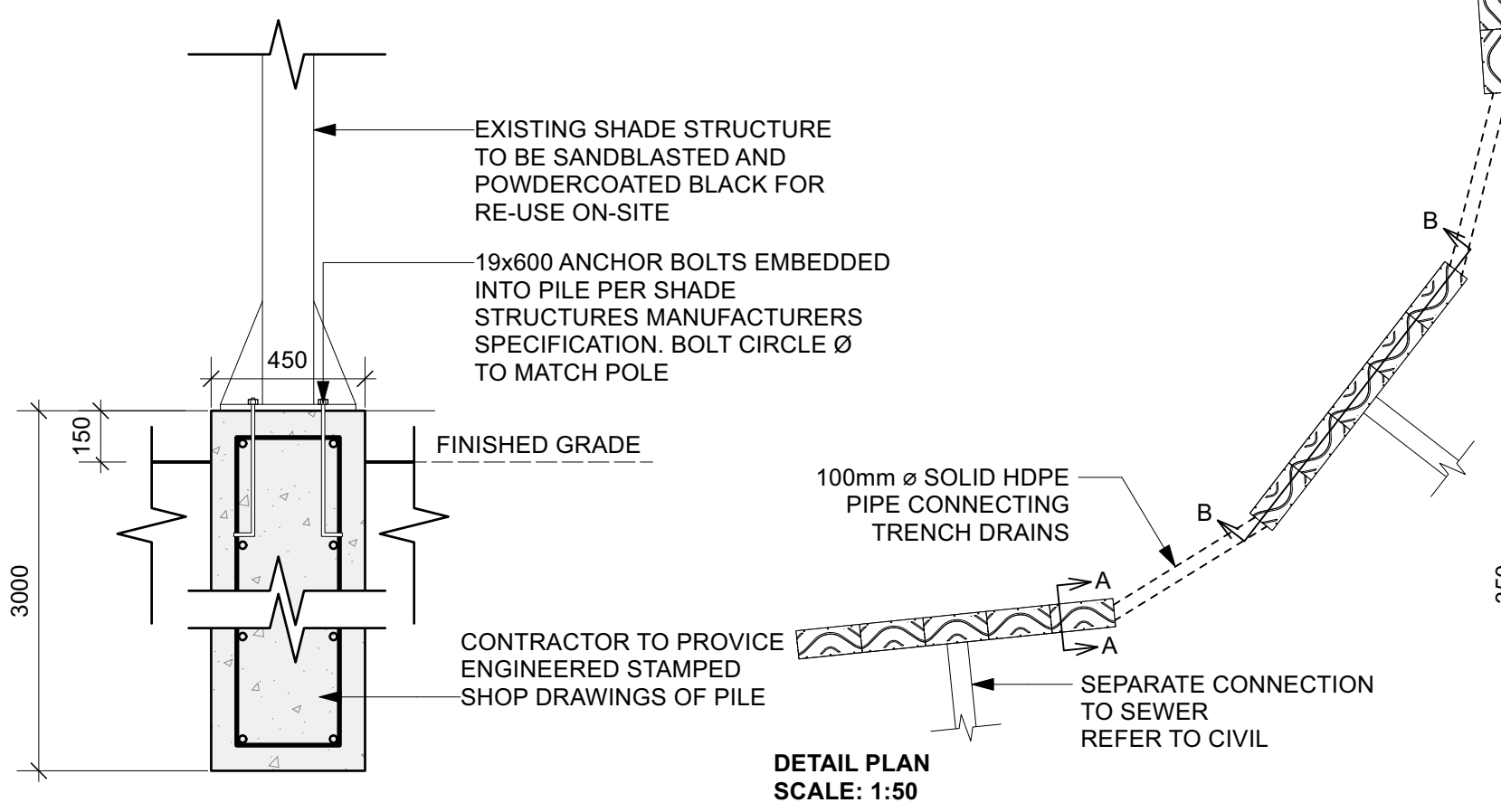
3 BARRIER CURB
Scale: 1:10



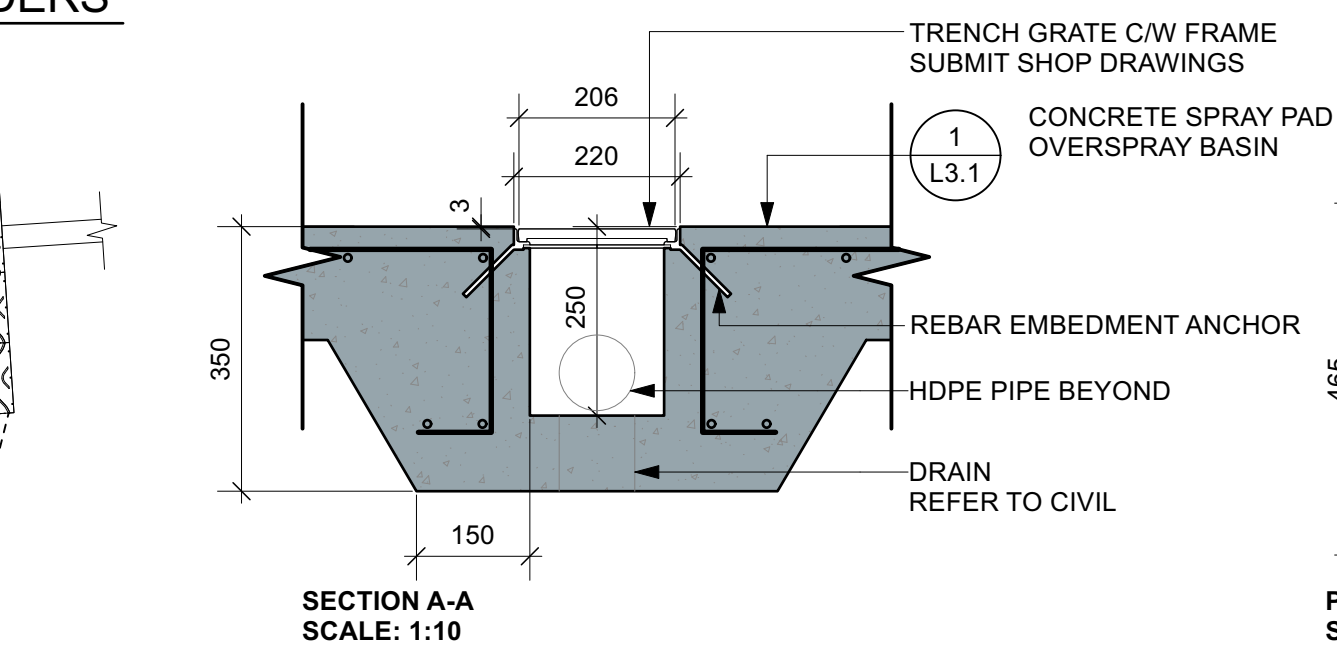
4 GRANITE BOULDERS
Scale: 1:20



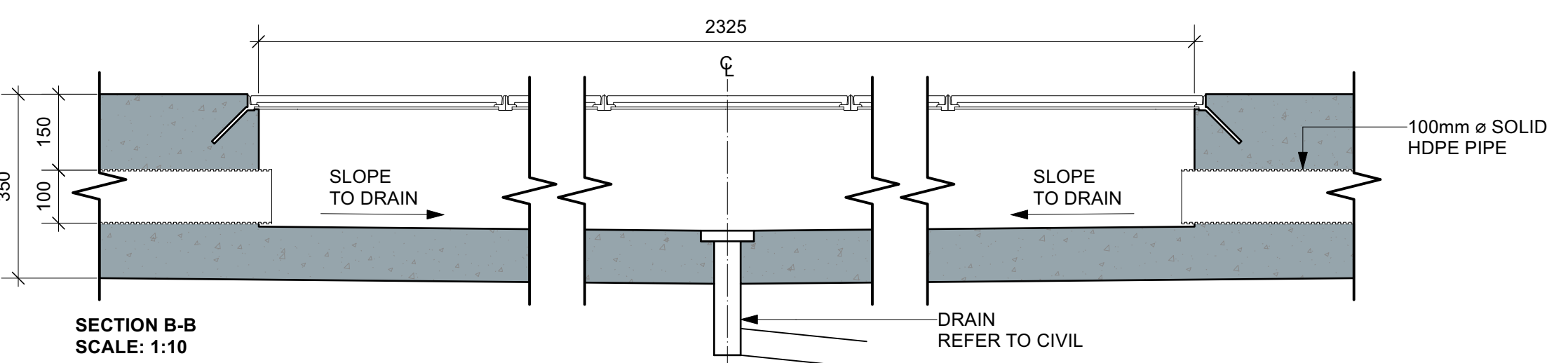
PLAN SCALE: 1:10



5 SHADE CANOPY & PILE
Scale: 1:20



SECTION A-A SCALE: 1:10



SECTION B-B SCALE: 1:10

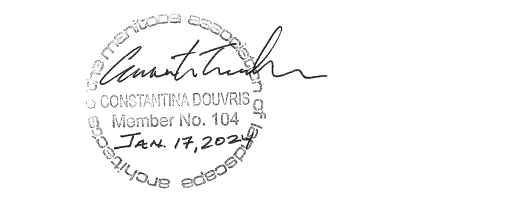
6 TRENCH DRAIN
Scale: AS SHOWN

GENERAL NOTES:
THIS DRAWING MUST NOT BE SCALED.
THE GENERAL CONTRACTOR SHALL VERIFY ALL DIMENSIONS, DATUMS AND LEVELS PRIOR TO COMMENCEMENT OF WORK. ALL ERRORS AND OMISSIONS TO BE REPORTED IMMEDIATELY TO THE LANDSCAPE ARCHITECT.
VARIATIONS & MODIFICATIONS TO WORK SHOWN ON THESE DRAWINGS SHALL NOT BE CARRIED OUT WITHOUT WRITTEN PERMISSION FROM THE LANDSCAPE ARCHITECT.
THIS DRAWING IS THE EXCLUSIVE PROPERTY OF THE LANDSCAPE ARCHITECTS AND CAN BE REPRODUCED ONLY WITH THE PERMISSION OF THE LANDSCAPE ARCHITECTS, IN WHICH CASE THE REPRODUCTION MUST BEAR THEIR NAME AS LANDSCAPE ARCHITECTS.

NOTES:

NO.	ISSUE NOTES	DATE
3	ISSUED FOR TENDER	2024-01-17
2	ISSUED FOR 99% SUBMISSION	2023-12-08
1	ISSUED FOR 66% SUBMISSION	2023-11-01

PROFESSIONAL SEAL



PROJECT TITLE
TURTLE ISLAND SPRAY PARK
WINNIPEG, MB
SHEET TITLE
DETAILS

DRAWN	REVIEWED	DRAWING NO.
XX	XX	L3.1
SCALE	PROJECT NO.	
1:1	22-078	

2022-11-24