

MATERIALS

COMPOSITE SLATS:

- 89mm x 89mm COMPOSITE BOARDS
- CEDAR TONE FINISH

METAL OPTIONS:

- **GALVANIZED** - Product # 52501071GLV

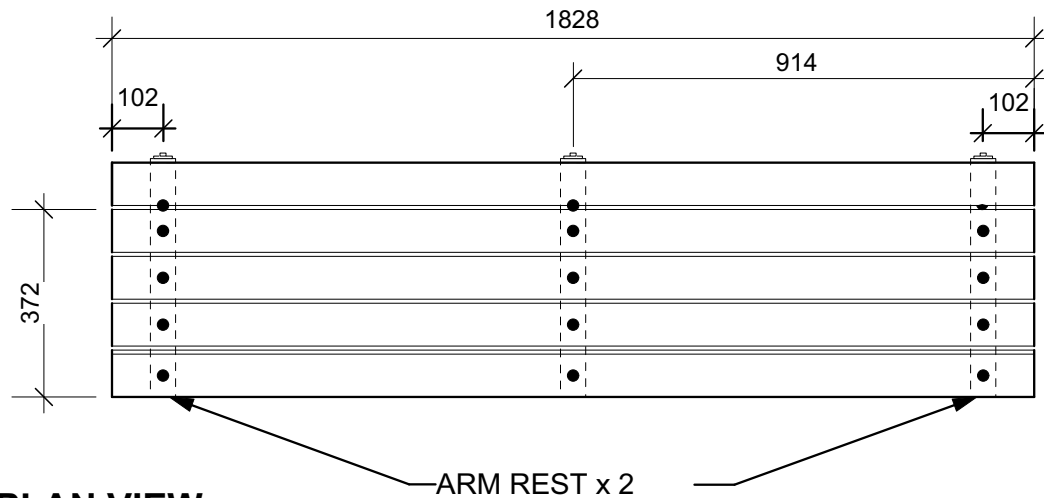
Drawing Title:

TACHE BENCH COMPOSITE WITH ARMS Surface Mount

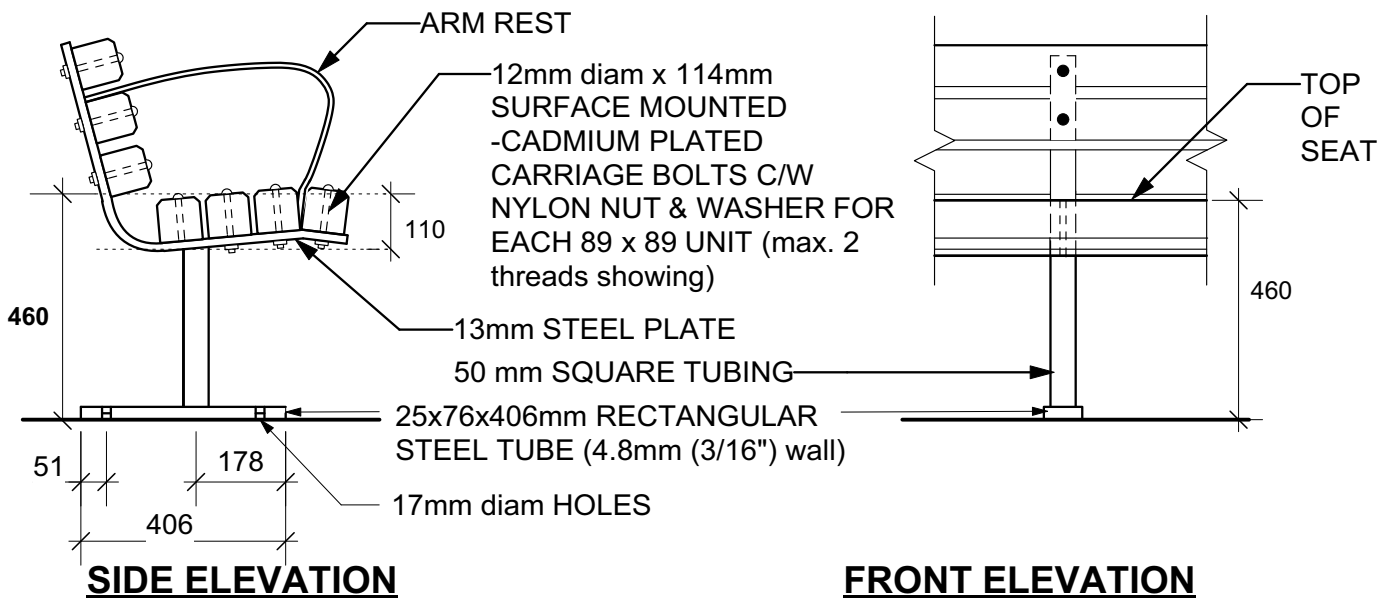
Drawing No:

SCD-121E

Anchor bench to concrete foundation using expansion bolts (not included)



PLAN VIEW



DIMENSIONS SHOWN ARE IN MILLIMETRES UNLESS OTHERWISE SPECIFIED

REVISION: 1
DATE: August 06, 2020
SCALE: NTS
DRAWN BY: GZ

The City of Winnipeg
Planning, Property and Development Department
Planning and Land Use Division
Unit 15 - 30 Fort Street, Winnipeg, MB, R3C 4X5

