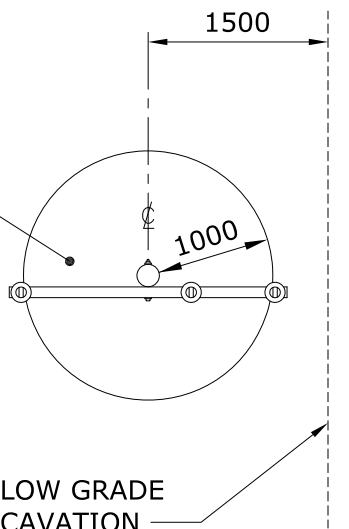


**APPENDIX 'J' – MANITOBA HYDRO ALLOWABLE EXCAVATION AROUND
EXISTING POLES: DRAWING CD 30-55**

FOR CHANGES IN GRADE,
THE MINIMUM AMOUNT OF
UNDISTURBED EARTH TO BE
LEFT ALL AROUND POLES
SHALL BE 1000mm

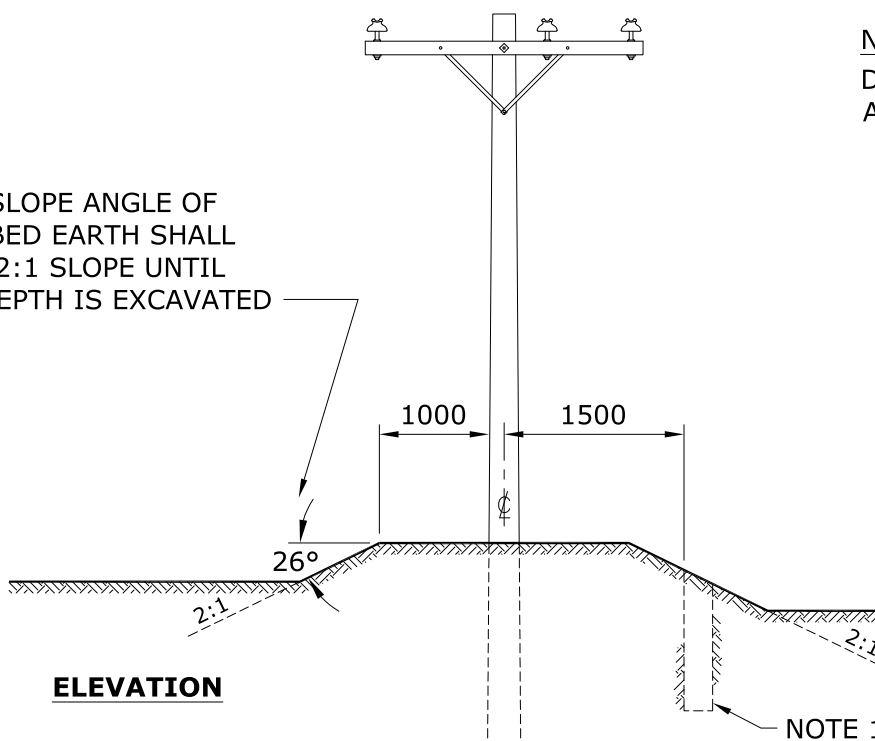


PLAN

BELOW GRADE
EXCAVATION

NOTE:
DIMENSIONS SHOWN
ARE MILLIMETRES.

MAXIMUM SLOPE ANGLE OF
UNDISTURBED EARTH SHALL
BE 26° OR 2:1 SLOPE UNTIL
DESIRED DEPTH IS EXCAVATED



ELEVATION

NOTE 1

NOTE:

1. THE MINIMUM SEPARATION (TO ANY SIDE OF A POLE) FOR EXCAVATIONS DEEPER THAN 500mm WITHOUT DISTRIBUTION ENGINEERING INVOLVEMENT SHALL BE 1500mm, EXCAVATIONS TO BE BACKFILLED & TAMPED TO MAINTAIN SLOPE. A CIVIL ENGINEER SHOULD BE CONSULTED FOR ANY LARGER (TEMPORARY OR PERMANENT) EXCAVATIONS.

SUPERCEDES ORIGINAL SEALED BY E. WIEBE ON 94-07-11

APPROVED		REVISIONS		MANITOBA HYDRO DISTRIBUTION STANDARDS	
ORIGINAL DRAWING SEALED BY D.R. ORR 19-05-17	19-04	3	REVISED NOTE 1, RESEALED	ALLOWABLE EXCAVATIONS AROUND EXISTING POLES	
	06-02	2	REVISED SLOPE & ADDED MORE EXPLANATION TO NOTES		
	95-04	1	MINIMUM SEPARATION ADDED		
DRAWN C.A.	CHECKED G.D.	DATE 19-04		CD 30-55	
				SHT 0001 OF 1	REV 03