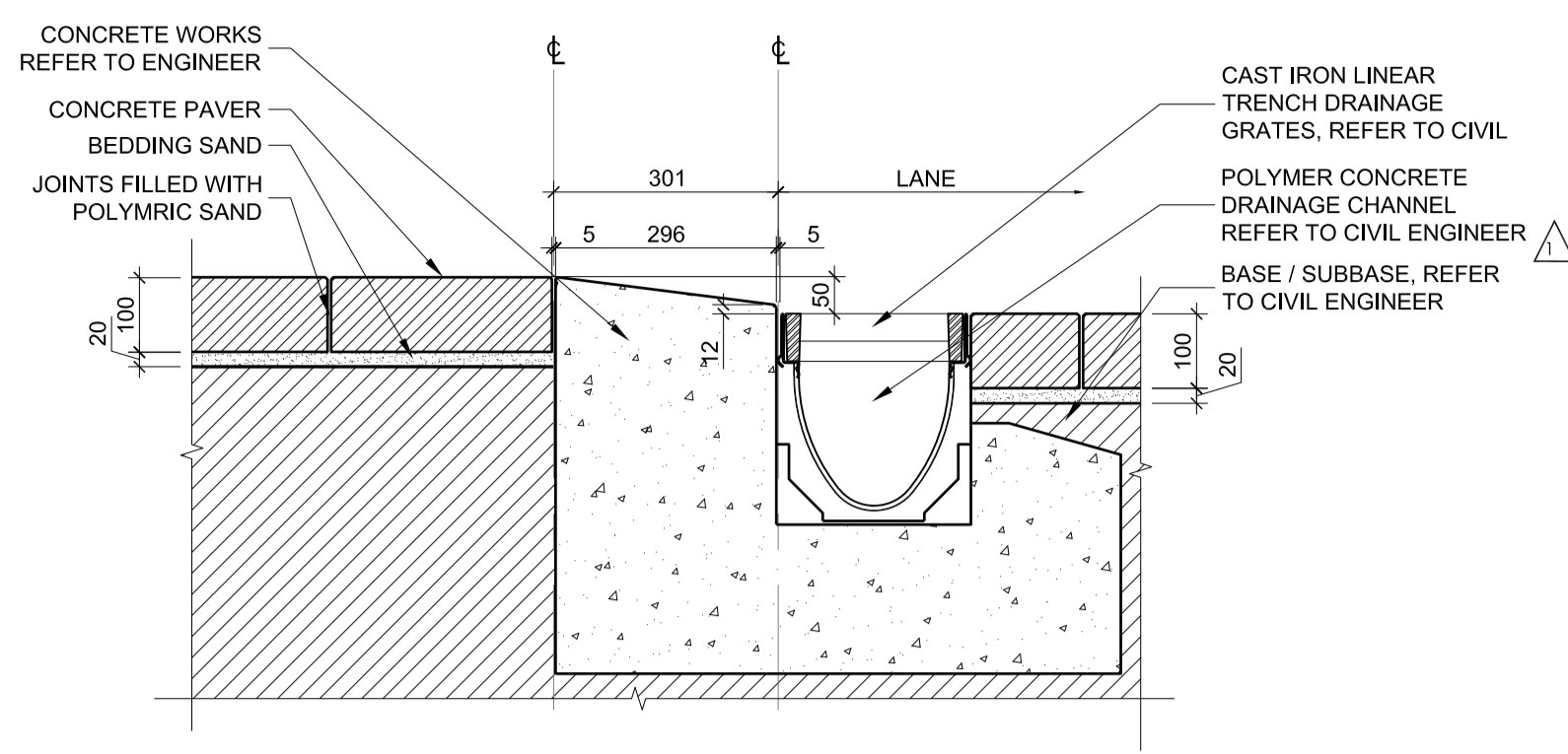
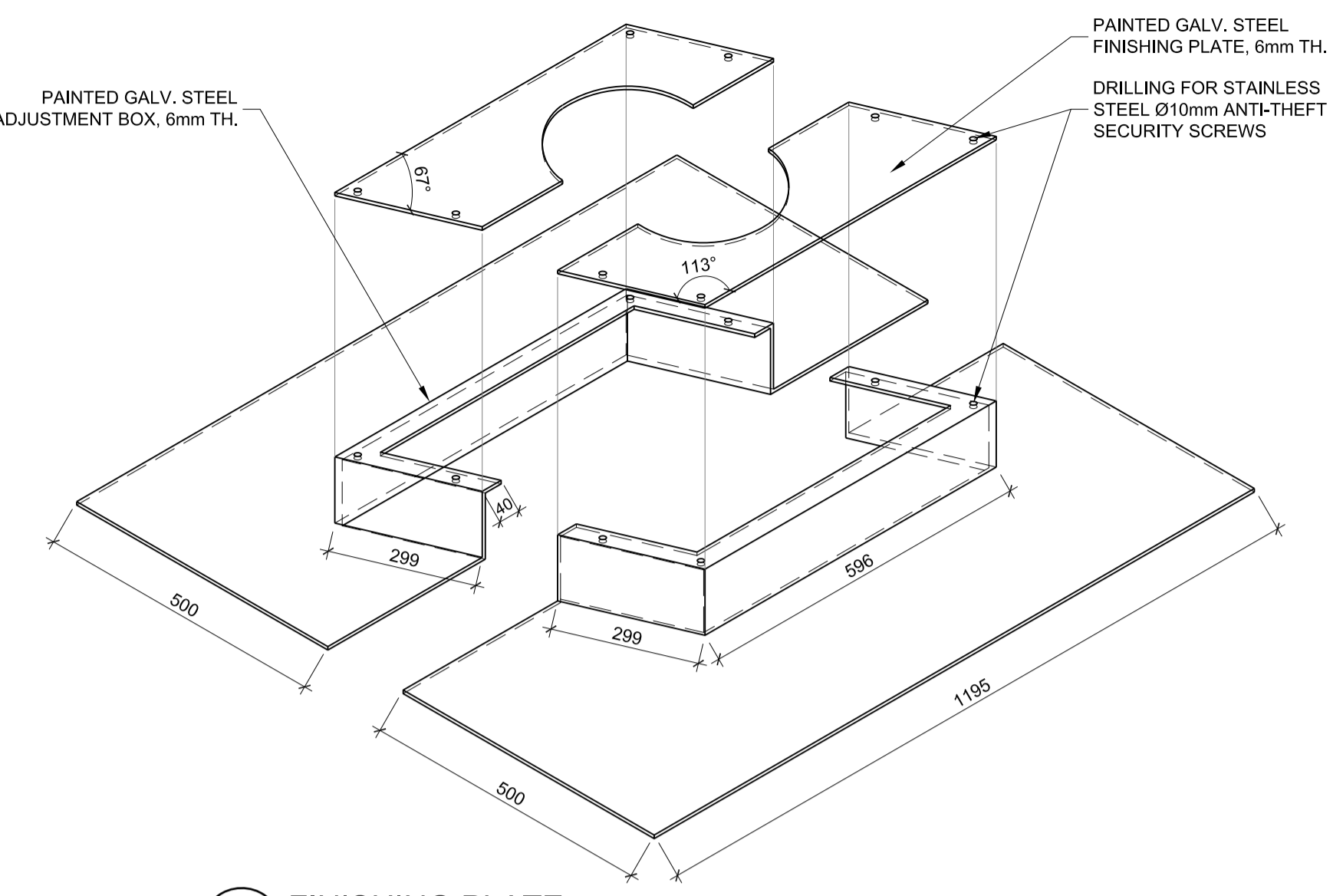


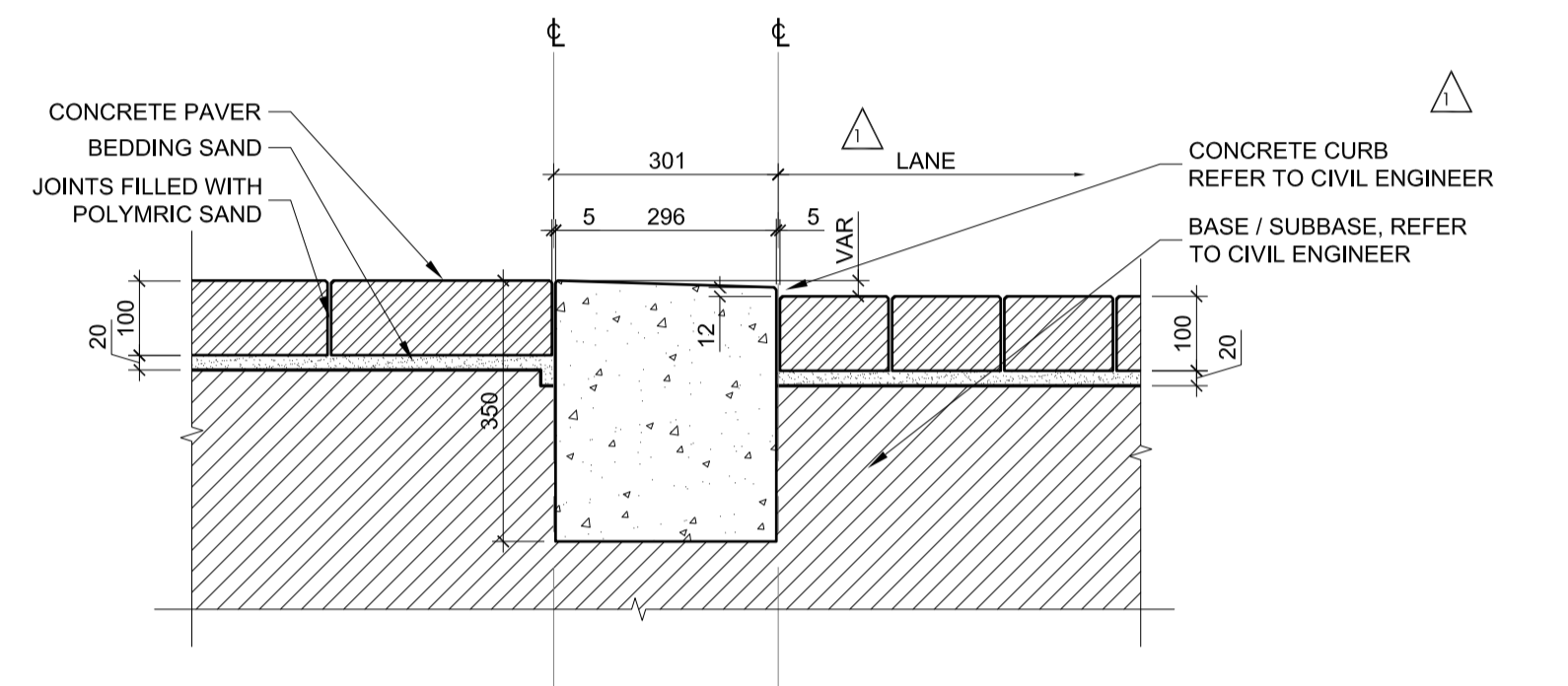
10 JUNCTION PLANTING AND CONCRETE PAVER
SECTION 1:10



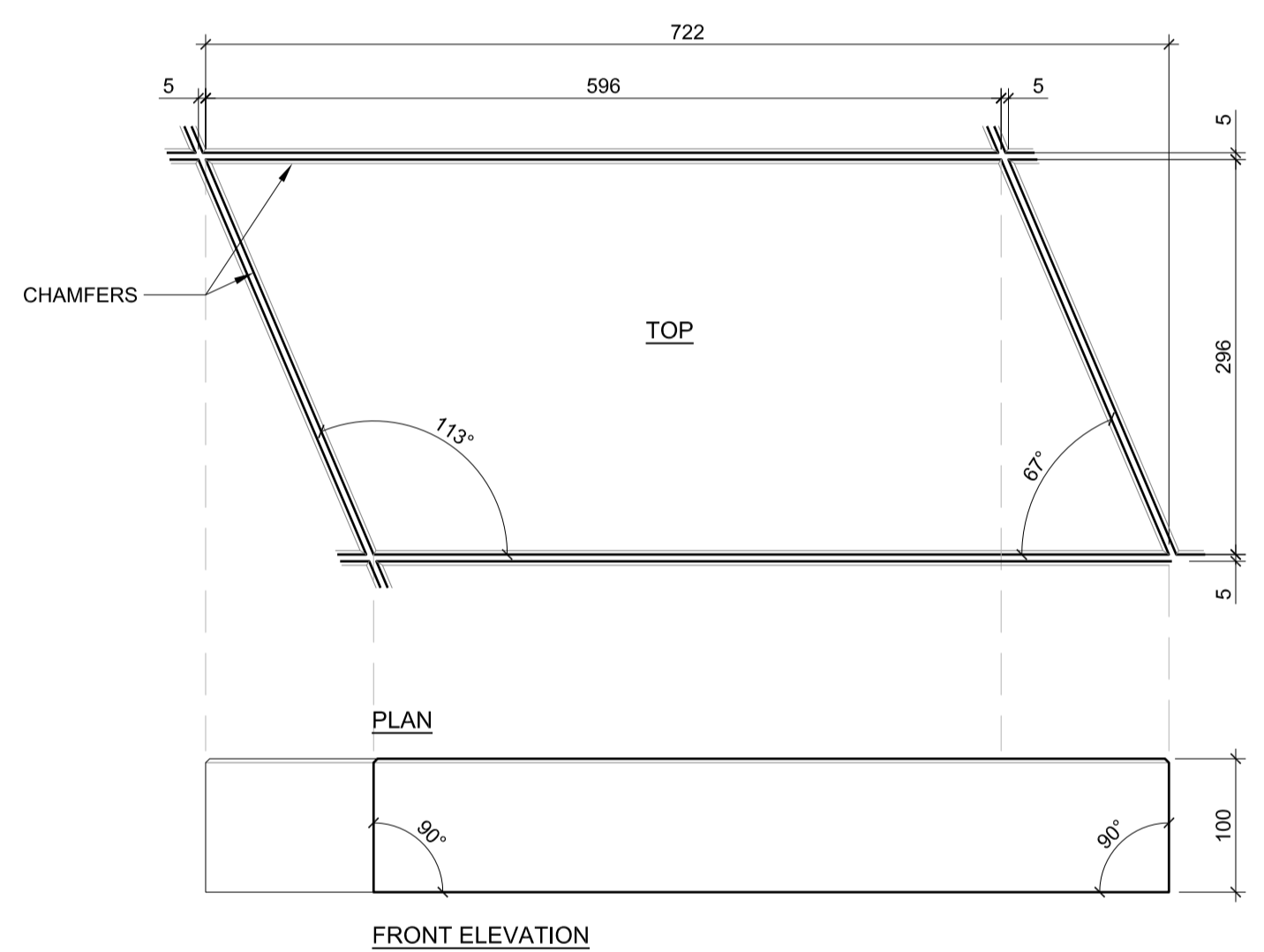
7 CONCRETE PAVER CURB DETAIL WITH LINEAR DRAIN - NORTH LANE
SECTION 1:10



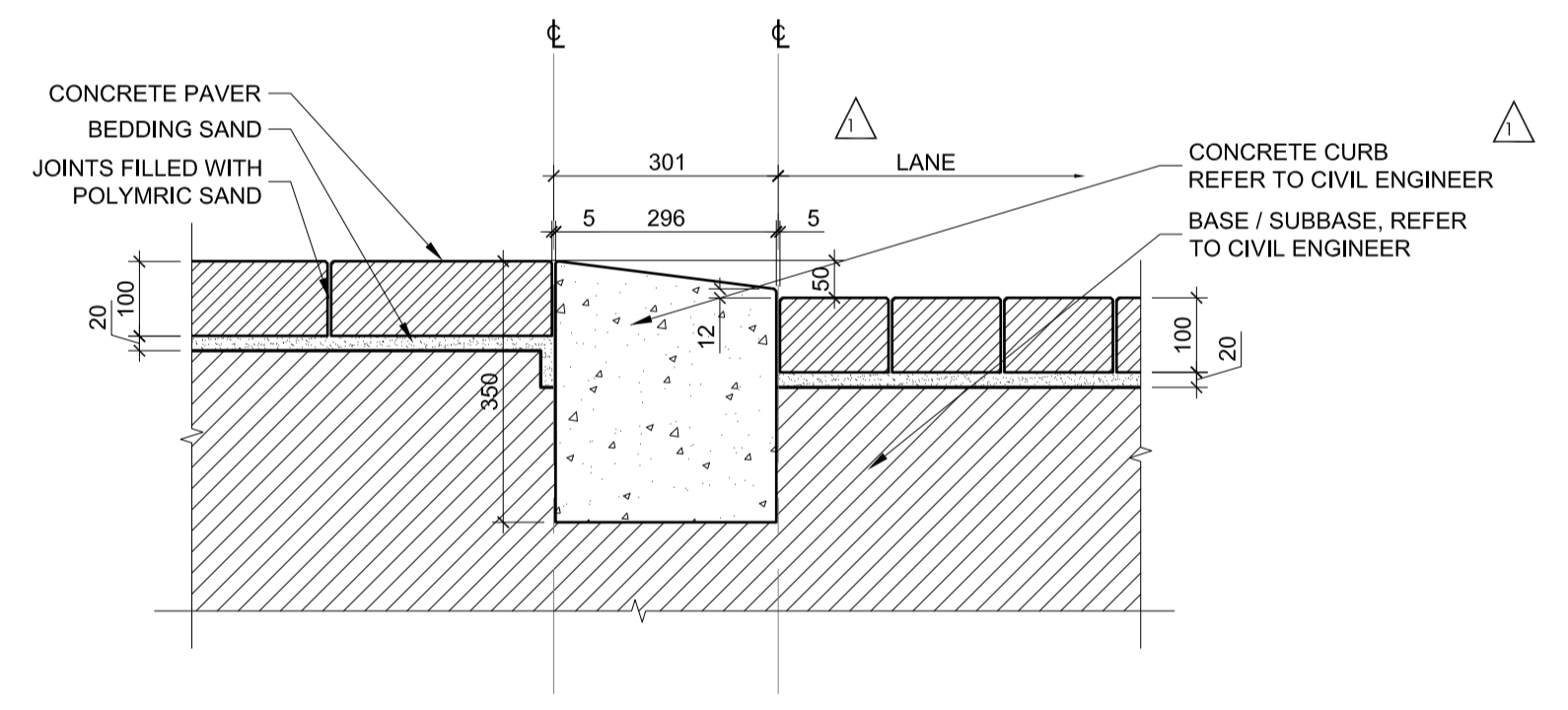
3 FINISHING PLATE
AXONOMETRY 1:10



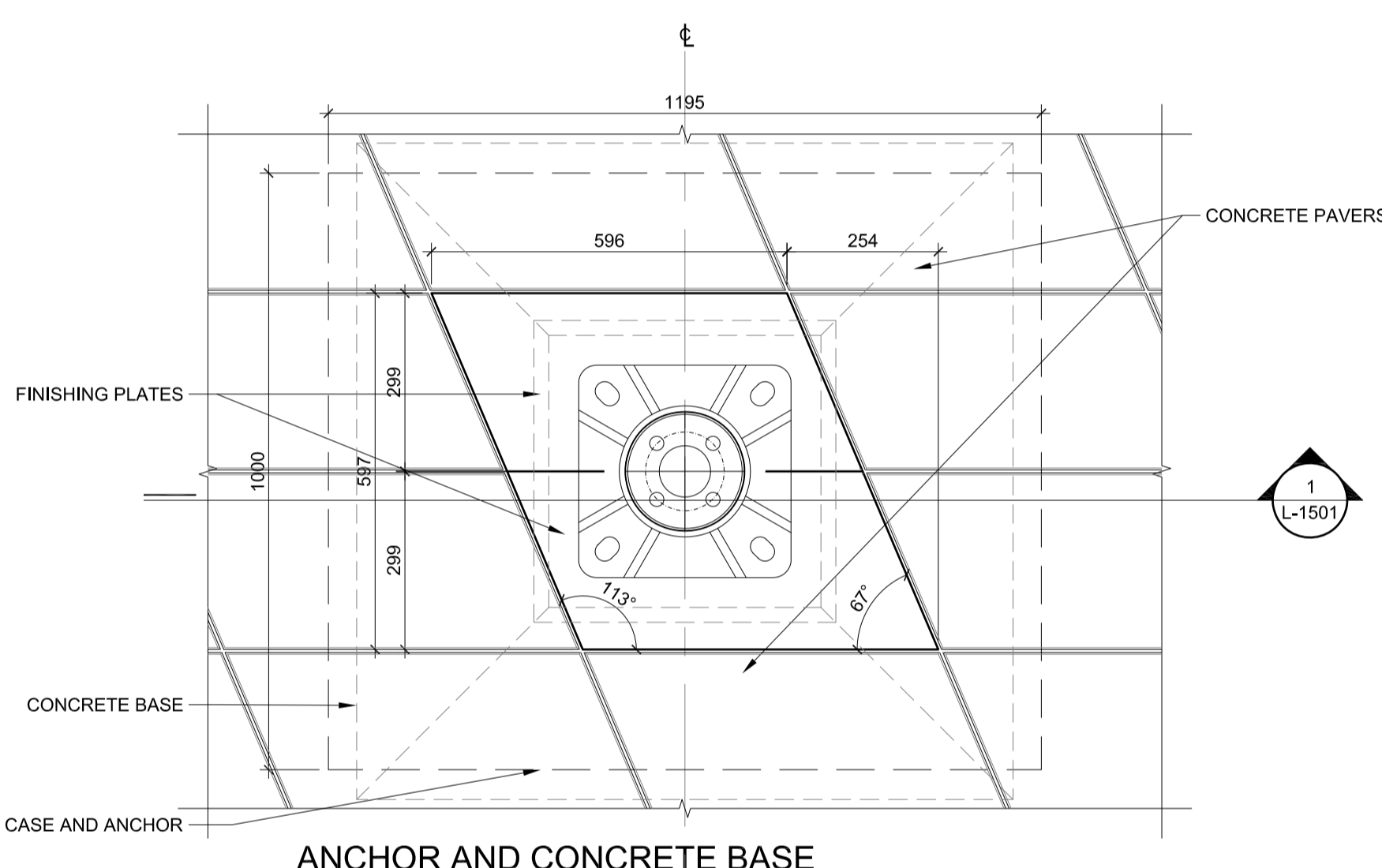
6 CONCRETE PAVER CURB DETAIL TRANSITION TO STREET - NORTH LANE
SECTION 1:10



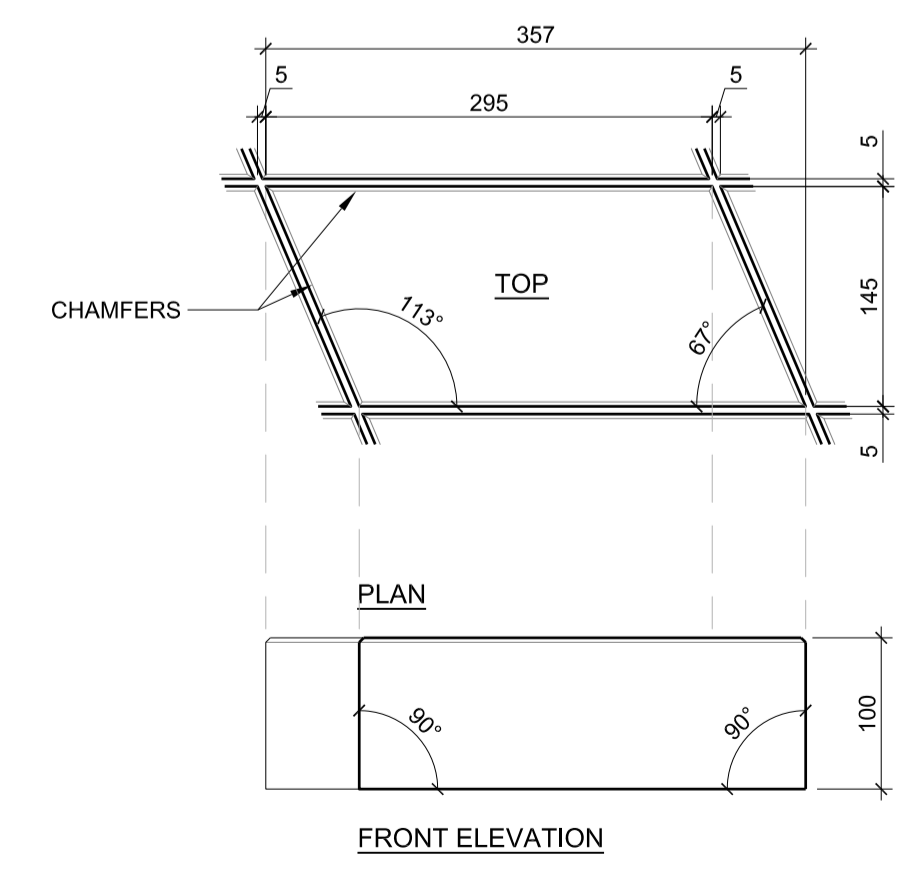
9 CUSTOM CONCRETE PAVER - TYPE A - PEDESTRIAN
PLAN AND ELEVATION 1:5



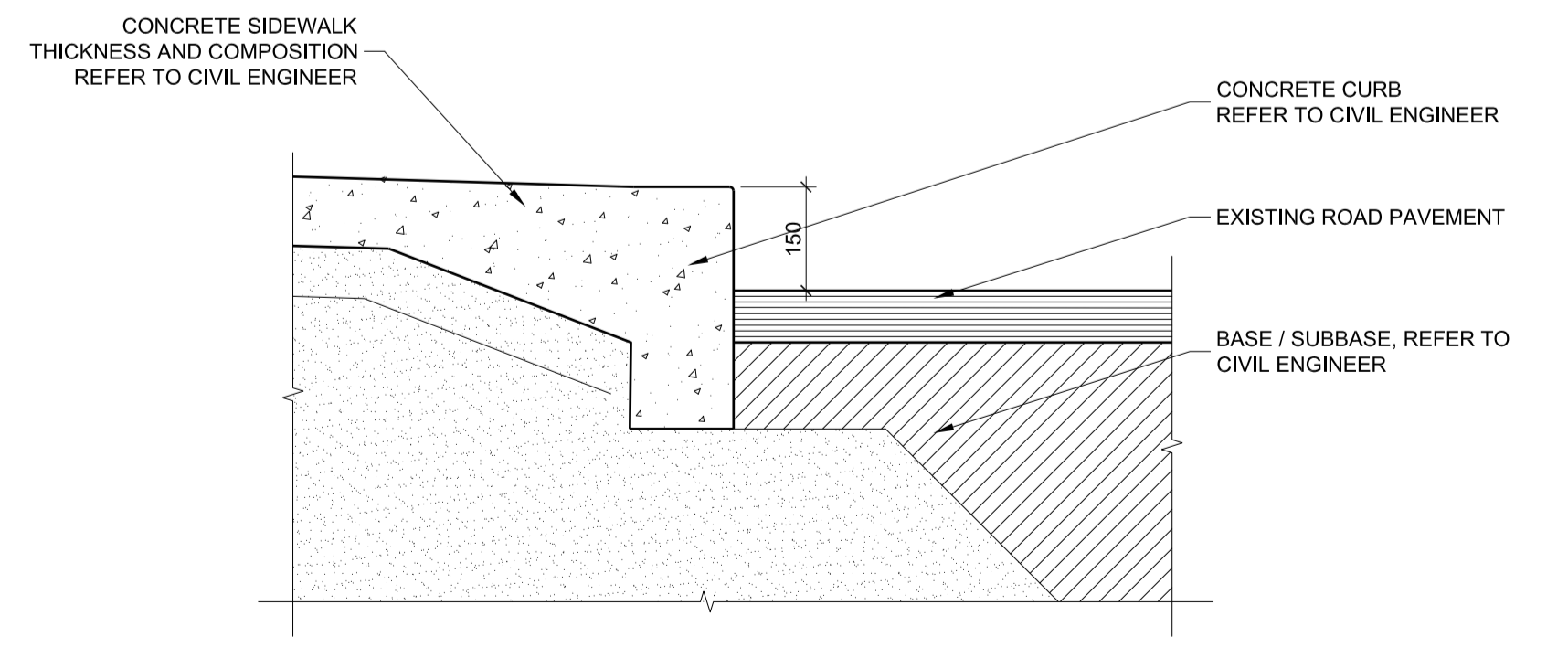
5 CONCRETE PAVER TYPICAL CURB DETAIL - NORTH LANE
SECTION 1:10



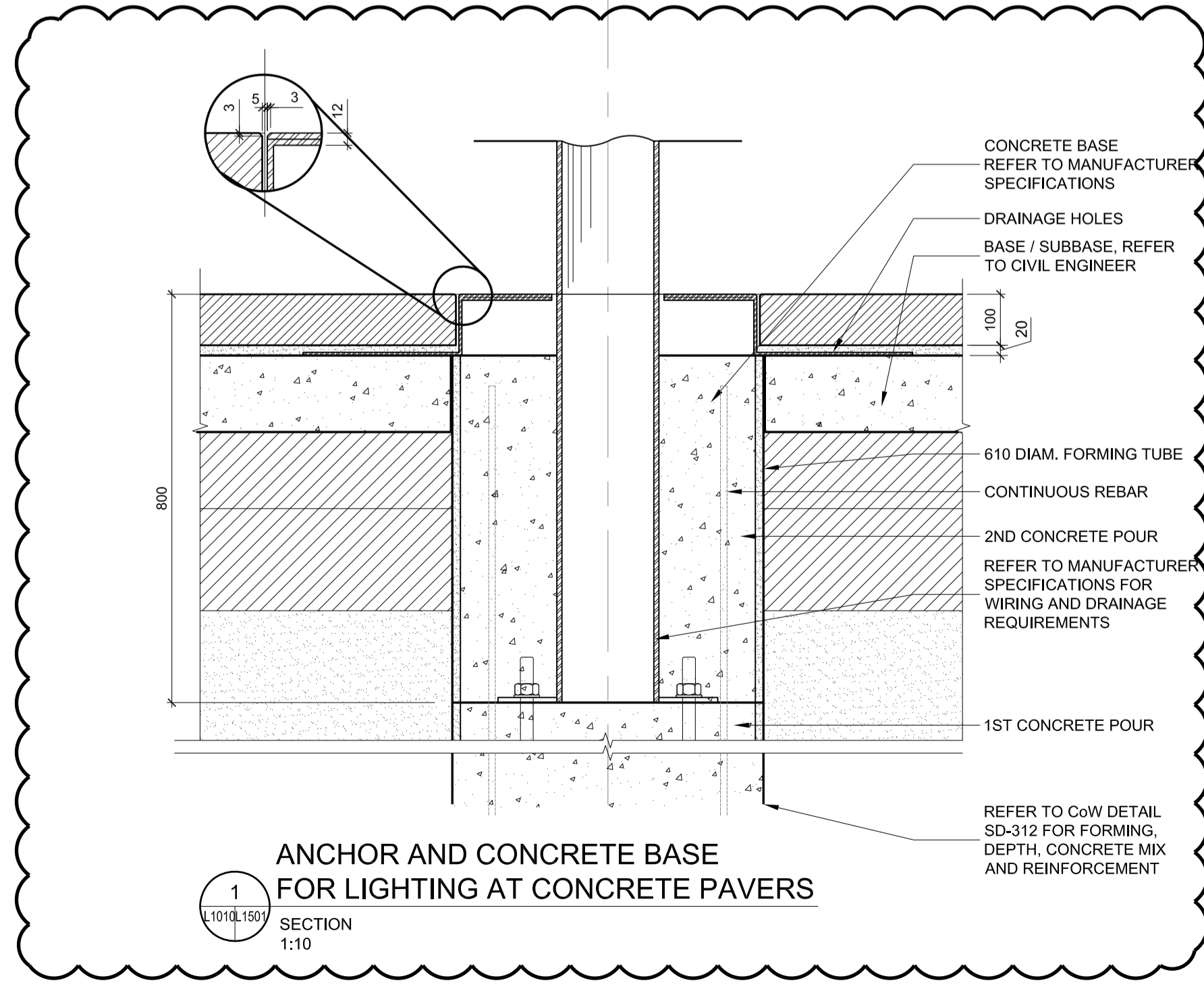
2 ANCHOR AND CONCRETE BASE FOR LIGHTING AT CONCRETE PAVERS
PLAN 1:10



8 CUSTOM CONCRETE PAVER - TYPE B - VEHICLE TRAFFIC
PLAN AND ELEVATION 1:5



4 CONCRETE PAVER CURB DETAIL - STREET
SECTION 1:10



1 ANCHOR AND CONCRETE BASE FOR LIGHTING AT CONCRETE PAVERS
SECTION 1:10

ALL DRAWINGS, SPECIFICATIONS AND RELATED DOCUMENTS ARE PROPERTY OF THE ARCHITECT. REPRODUCTION OF DRAWINGS, SPECIFICATIONS AND RELATED DOCUMENTS IN ANY FORM IS STRICTLY FORBIDDEN WITHOUT THE WRITTEN PERMISSION OF THE ARCHITECT.

CLIENT:
MARKET LANDS INC.

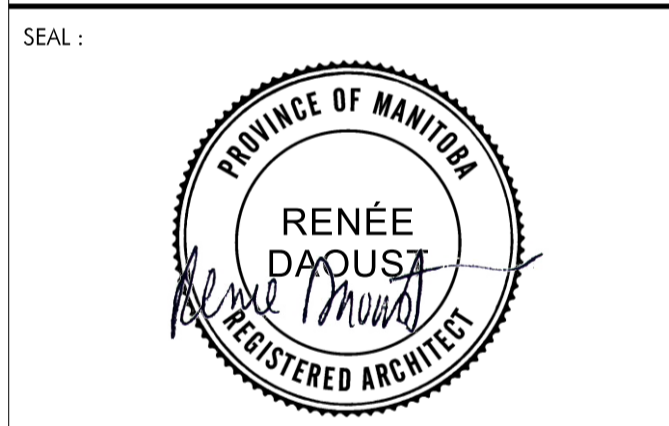
PROJECT:
MARKET LANDS MIXED USE BUILDING
WINNIPEG, MANITOBA

ARCHITECT:
DAOUST LESTAGE
3575 St-Laurent Blvd #710, Montreal QC, H2X 2T7
architecture - design urbain - paysage info@daoustlestage.com +1 514 982 0877
number 10 NUMBER TEN ARCHITECTURAL GROUP
310 - 115 Barnaby Ave, Winnipeg, MB, R2B 0R3
winnipeg@numberten.com +1 204 942 0981

ELECTRICAL CONSULTANT:
TETRA TECH
3475 East Foothill Blvd, Pasadena CA, 91107-4024
info@tetratech.com +1 626 351 4564

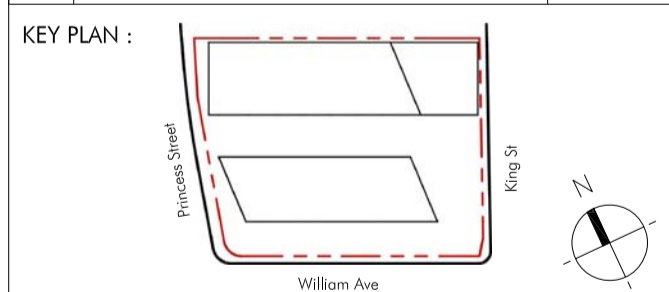
STRUCTURAL CONSULTANT:
ENTUITIVE ENTUITIVE
200 University Ave, 7th Floor, Toronto ON, M5H 3C4
entuitive.com +1 416 477 5832

CIVIL CONSULTANT:
WSP WSP CANADA INC.
1600 Buffalo Place, Winnipeg, Manitoba, R3T 6R6
info@wsp.com +1 204 259 1659



2	ISSUED FOR ADDENDA 2	2024-03-22
1	ISSUED FOR ADDENDA 1	2024-03-20
0	ISSUED FOR TENDER	2024-02-02
A	ISSUED FOR INFORMATION	2023-11-22

NO.	DESCRIPTION	DATE
-----	-------------	------



DISCIPLINE: **LANDSCAPE**
LOT: **SITE DEVELOPMENT**
TITLE: **GENERIC DETAILS**

DRAWN BY:	G.F.	FILE:	694-19
DEVELOPED BY:	R.S.	SCALE:	INDICATED
APPROVED BY:	R.D.	PAGE:	L-1501
PRINT DATE:	2024-02-02		