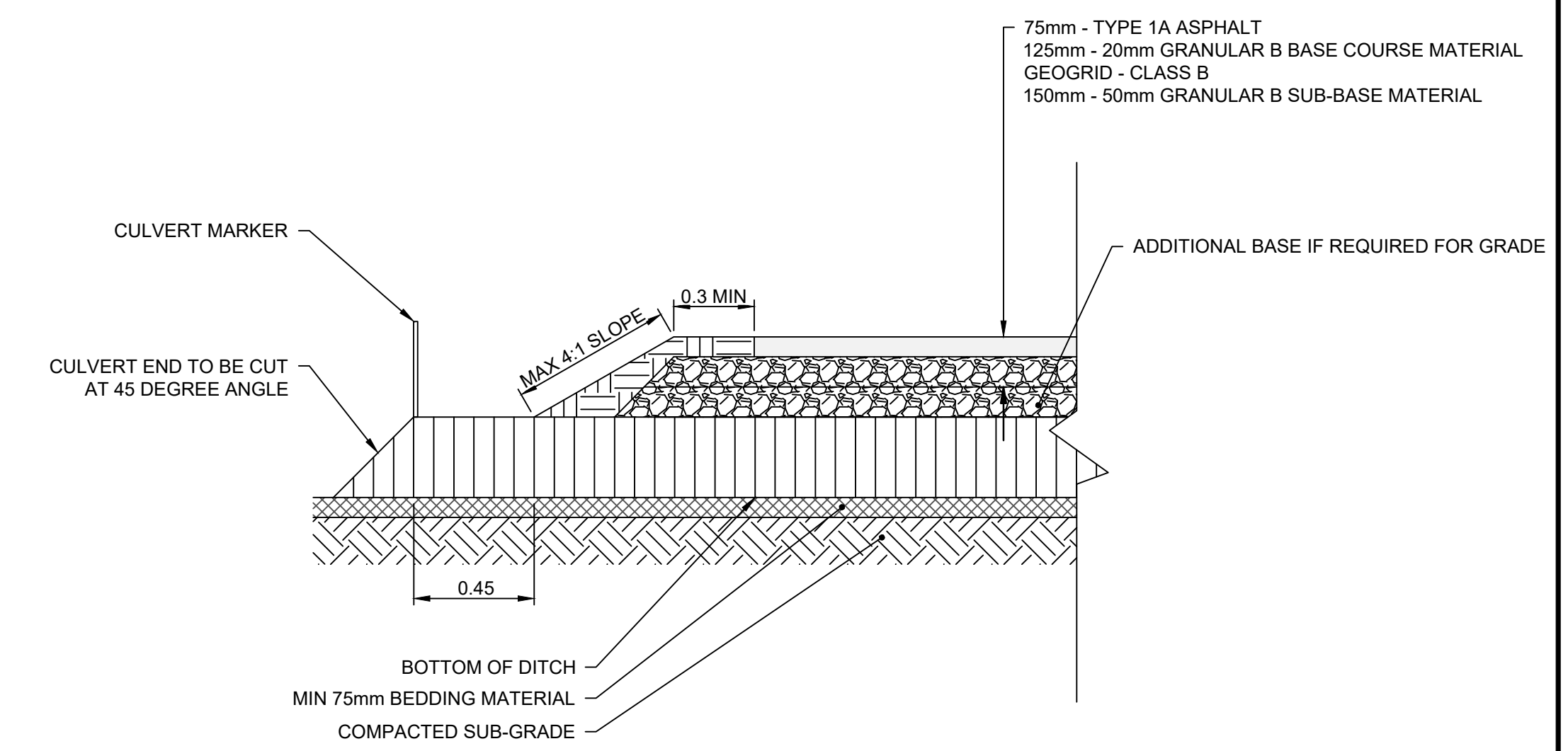


75mm - TYPE 1A ASPHALT  
 125mm - 20mm GRANULAR B BASE COURSE MATERIAL  
 GEOGRID - CLASS B  
 150mm - 50mm GRANULAR B SUB-BASE MATERIAL  
 GEOTEXTILE FABRIC - SEPARATION/FILTRATION  
 COMPACTED SUBGRADE

**TYPICAL CROSS SECTION**  
 N.T.S



**TYPICAL CULVERT INSTALLATION CROSS SECTION**  
 N.T.S

**CONSTRUCTION NOTES**

1. INSTALL NEW WOODEN POST BOLLARD (SCD-105B, E15)
2. REMOVE EXISTING TREE (E13)
3. REMOVE EXISTING PATHWAY AND CONSTRUCT NEW 80mm ASPHALT PATHWAY AS PER TYPICAL CROSS SECTION
4. RENEW EXISTING ASPHALT
5. RE-GRADE EXISTING DITCH
6. CONSTRUCT NEW CONCRETE CURB RAMP (SD-229D)
7. CONSTRUCT NEW 100mm CONCRETE SIDEWALK (SD-228A)
8. REMOVE EXISTING CULVERT AND INSTALL NEW CULVERT AS PER CW 3610
9. REMOVE EXISTING WOODEN POST BOLLARD (E16)
10. RENEW EXISTING 150mm REINFORCED CONCRETE PAVEMENT
11. INSTALL LIFTER RING AND ADJUST TO GRADE
12. INSTALL NEW CULVERT AS PER CW 3610
13. REMOVE EXISTING CONCRETE PAVEMENT AND CONSTRUCT NEW 150mm REINFORCED CONCRETE
14. REMOVE EXISTING PAVEMENT AND CONSTRUCT NEW 150mm REINFORCED CONCRETE SIDEWALK
15. ADJUST MANHOLE FRAME TO GRADE
16. INSTALL NEW MANHOLE FRAME (AP-006) AND NEW GRATED COVER (AP-008)
17. RENEW EXISTING MODIFIED LIP CURB (SD-202C)
18. CONSTRUCT NEW DITCHING

**GENERAL NOTES**

- A. PAVEMENT DIMENSIONS ARE TO BACK OF CURB
- B. ALL CURB RADII UNDER 15.0m SHALL BE MODIFIED
- C. CURB REPLACEMENT AS DIRECTED BY CONTRACT ADMINISTRATOR
- D. CONTRACTOR TO CONFIRM THE LOCATION OF ALL UTILITIES/SERVICES IN THE FIELD PRIOR TO CONSTRUCTION

**ISSUED FOR TENDER**  
 NOT TO BE USED FOR CONSTRUCTION

**METRIC**  
 WHOLE NUMBERS INDICATE MILLIMETERS  
 DECIMALIZED NUMBERS INDICATE METERS

TENDER NO. 13-2024

EXISTING	LEGEND - PLAN	PROPOSED	EXISTING	LEGEND - PLAN	PROPOSED	EXISTING	LEGEND - PROFILE	PROPOSED
⊕	HYDRANT	◆	---	LDS/WWS	---	▨	CONCRETE	▨
⊗	VALVE	◆	---	WATERMAIN	---	▨	CONCRETE SIDEWALK	▨
⊙	CURB STOP	●	---	GAS	---	▨	ASPHALT	▨
○	MANHOLE	●	---	TRAFFIC SIGNALS	---	▨	ASPHALT RENEWAL	▨
□	CATCH BASIN	●	---	HYDRO/STREET LIGHT	---	▨	CULVERT	▨
△	CURB INLET	▲	---	MTS/SHAW	---	▨	DITCH FLOW	▨
○	HYDRO POLE	●	---	BACK OF CURB/APPROACH	---	▨	TOP OF DITCH	▨
○	LIGHT STANDARD	●	---	PROPERTY LINE	---	▨	WOOD FENCE	▨
○	TRAFFIC SIGNAL POLE	●	---	RAMP CURB	---	▨	EDGE OF PATH	▨
⊕	SURVEY BAR	◆	---	ELEVATIONS	(31.000)	○	BOLLARD	○
⊕	UTILITY BOX	◆	---	TREE	---	○	TREE LINE	○

**LOCATION APPROVED UNDERGROUND STRUCTURES**

DATE: \_\_\_\_\_

COMMITTEE: \_\_\_\_\_

**NOTE:**  
 LOCATION OF UNDERGROUND STRUCTURES AS SHOWN ARE BASED ON THE BEST INFORMATION AVAILABLE. BUT NO GUARANTEE IS GIVEN THAT ALL EXISTING UTILITIES ARE SHOWN OR THAT THE GIVEN LOCATIONS ARE EXACT. CONFIRMATION OF EXISTENCE AND EXACT LOCATION OF ALL SERVICES MUST BE OBTAINED FROM THE INDIVIDUAL UTILITIES BEFORE PROCEEDING WITH CONSTRUCTION.

NO.	REVISIONS	DATE	BY
2.	ISSUED FOR TENDER	2024/05/07	D.PEN
1.	SUBMIT FOR PLAN APPROVAL	2024/02/16	D.PEN

**ENGINEERING DIVISION**  
**TECHNOLOGY SERVICES BRANCH**  
 106 - 1155 PACIFIC AVE

DESIGNED BY: D.PEN  
 CHECKED BY: R.W. G.K. T.G.

DRAWN BY: D.PEN  
 APPROVED BY: \_\_\_\_\_

HOR. SCALE: 1 : 250  
 VERTICAL: \_\_\_\_\_

DATE: 2024/11/27

**THE CITY OF WINNIPEG**  
**PUBLIC WORKS DEPARTMENT**

**OSCAR PAULSON PARK**  
 FROM HUDDERSFIELD PL TO "T" PATH  
 ASPHALT RECONSTRUCTION AND ASSOCIATED WORKS  
 FROM STA. 1+00 TO STA. 2+35

CITY DRAWING NUMBER SE-24-19  
 SHEET 3 OF 14

1