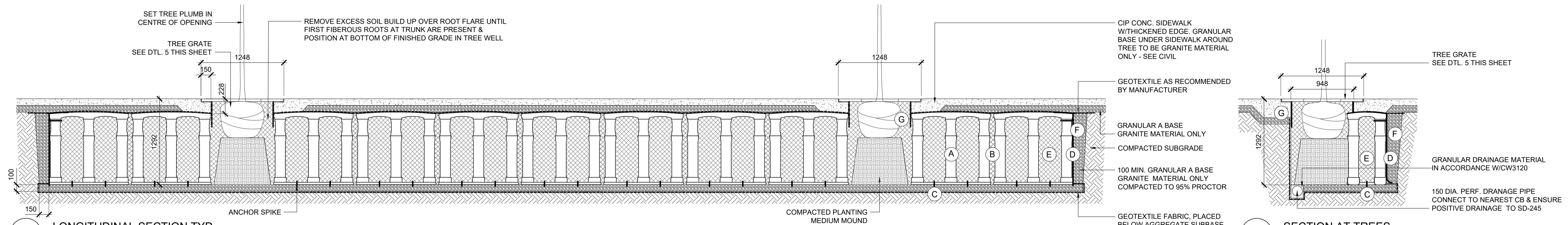
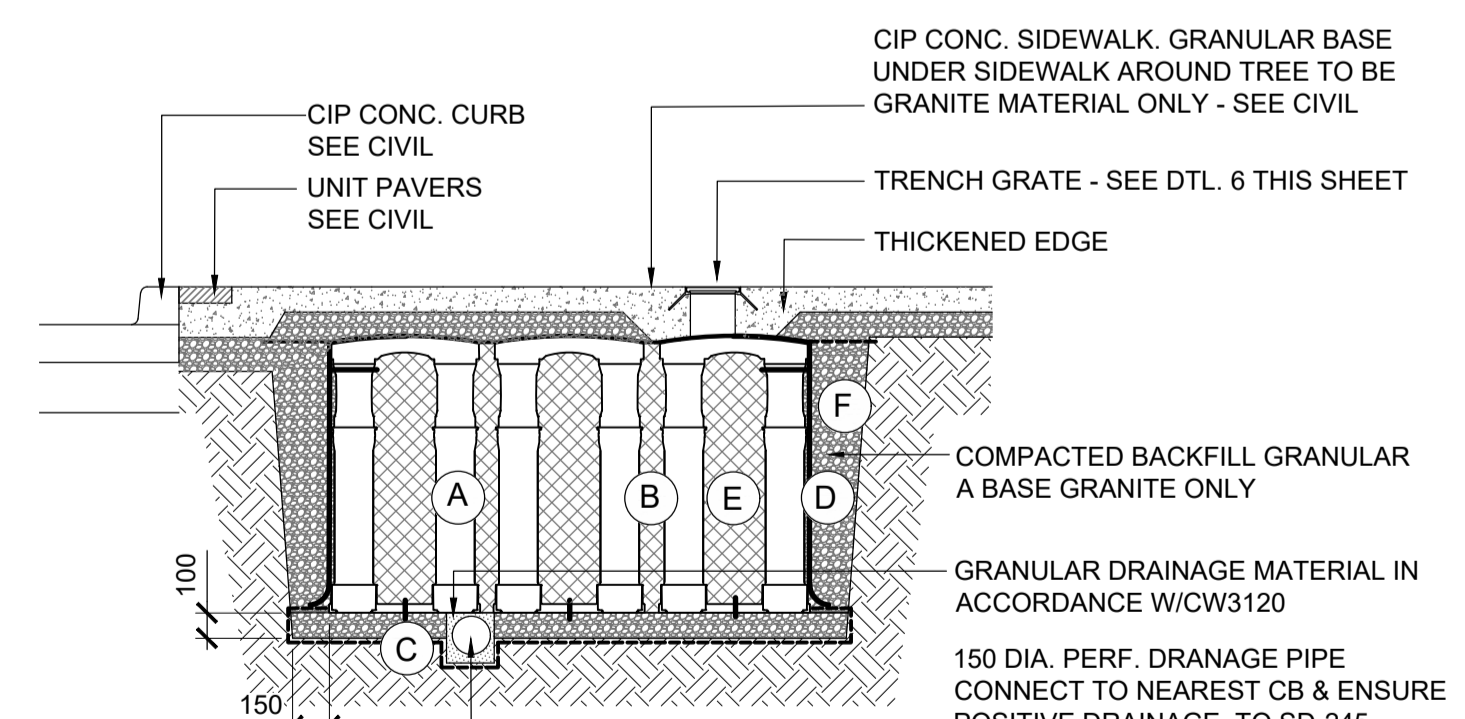


1 TYPE 1 SOIL CELL LAYOUT - DRAIN PIPE TO CB  
SCALE: 1:30

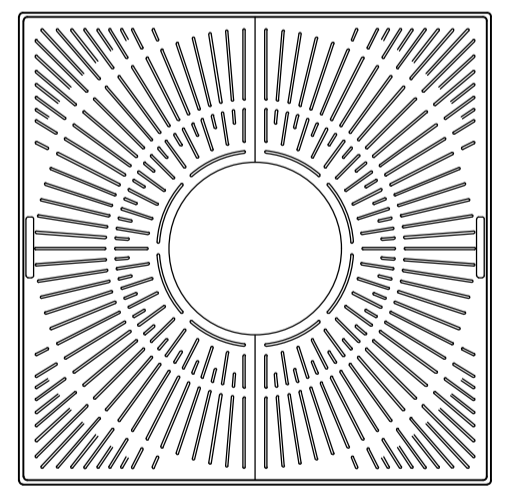


2 LONGITUDINAL SECTION TYP.  
SCALE: 1:30

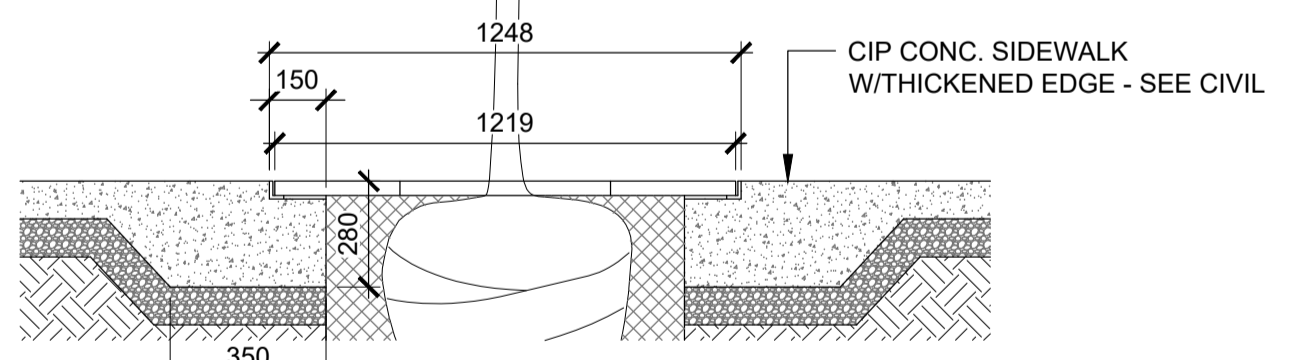
3 SECTION AT TREES  
SCALE: 1:30



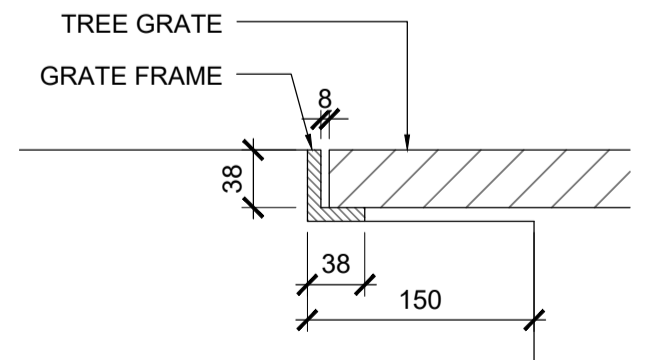
4 SECTION AT SOIL CELLS  
SCALE: 1:30



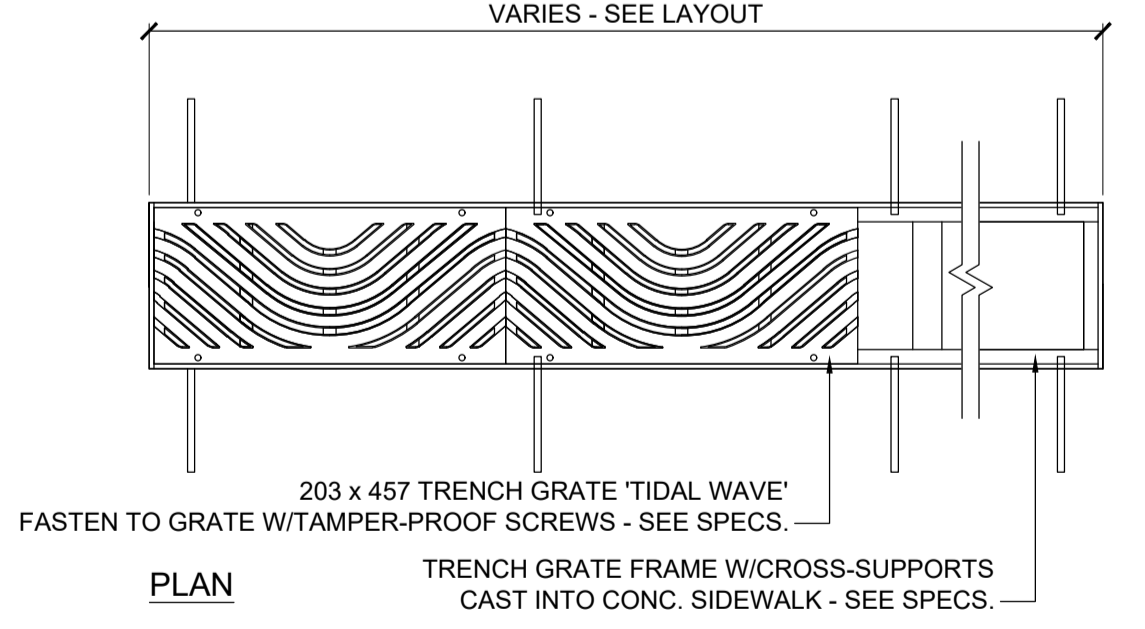
5 TREE GRATE  
SCALE AS SHOWN



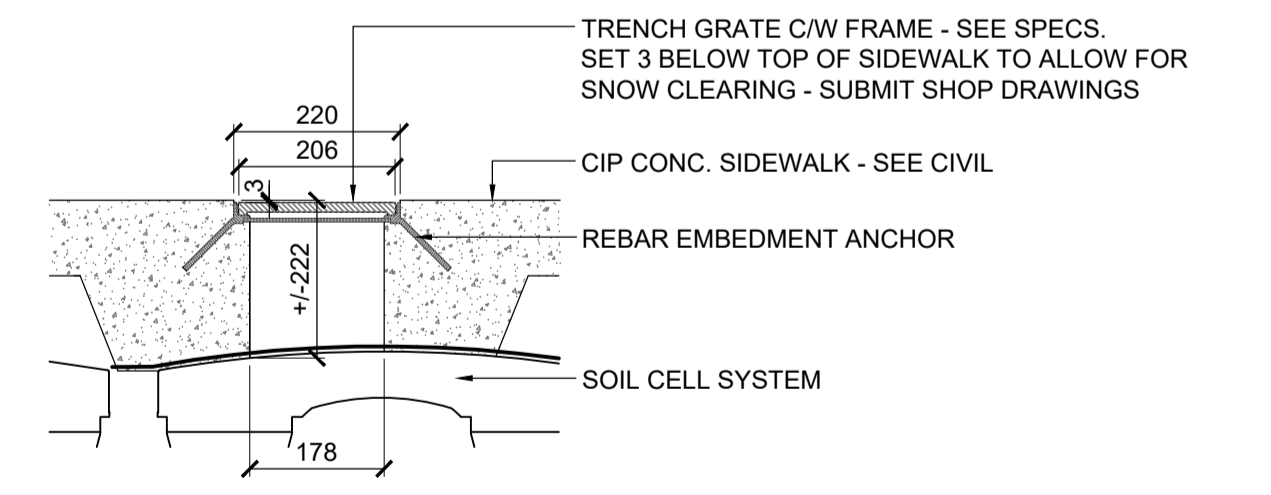
CROSS SECTION - SCALE 1:20



ENLARGED SECTION - SCALE 1:5



6 TRENCH GRATE  
SCALE 1:10



CROSS SECTION - OPEN BOTTOM UNDER SOIL CELL

**STRUCTURAL SOIL CELL - LEGEND:**

(A) SOIL CELL SYSTEM (DECK, BASE & POSTS)	(E) PLANTING MEDIUM - SEE SPECS.
(B) 50 GAP B/T SOIL CELLS AT BASE	(F) COMPACTED BACKFILL GRANULAR A BASE GRANITE MATERIAL ONLY
(C) ANCHORING SPIKES 300 LONG GALVANIZED	(G) DEEPROOT BARRIER 400 DEPTH, INSTALL DIRECTLY ADJACENT TO CONCRETE EDGE RESTRAINT
(D) GEOGRID, WRAPPED AROUND PERIMETER OF SOIL CELL SYSTEM W/150 TOE (OUTWARD FROM BASE) & 300 EXCESS (OVER TOP OF DECK)	

UNDERGROUND STRUCTURES		B.M. ELEV.	DESIGNED BY	JH		ENGINEER'S SEAL			
SUPPLY U/G STRUCTURES		DATE	DRAWN BY	SW				REGIONAL STREET RENEWAL PROGRAM	
LOCATION OF UNDERGROUND STRUCTURES AS SHOWN ARE BASED ON THE BEST INFORMATION AVAILABLE BUT NO GUARANTEE IS GIVEN THAT ALL EXISTING UTILITIES ARE SHOWN OR THAT THE GIVEN LOCATIONS ARE EXACT. CONFIRMATION OF EXISTENCE AND EXACT LOCATION OF ALL SERVICES MUST BE OBTAINED FROM THE INDIVIDUAL UTILITIES BEFORE PROCEEDING WITH CONSTRUCTION.			CHECKED BY	JH				2024-05-14	2024 PROVENCHEUR STREET REHABILITATION
			APPROVED BY	JH					CITY DRAWING NUMBER
			HOR. SCALE	VERTICAL	2024-05-14		CONSULTANT PROJECT NUMBER		
			NO. REVISIONS	DATE	DATE	24-022	SOIL CELL TYPE 1 & DETAILS		
							CONSULTANT DRAWING NUMBER		
							L2		

P:\2024\24-022 Provencher Sidewalk Reconstruction\07 CAD\24-022 Sections & Details.dwg