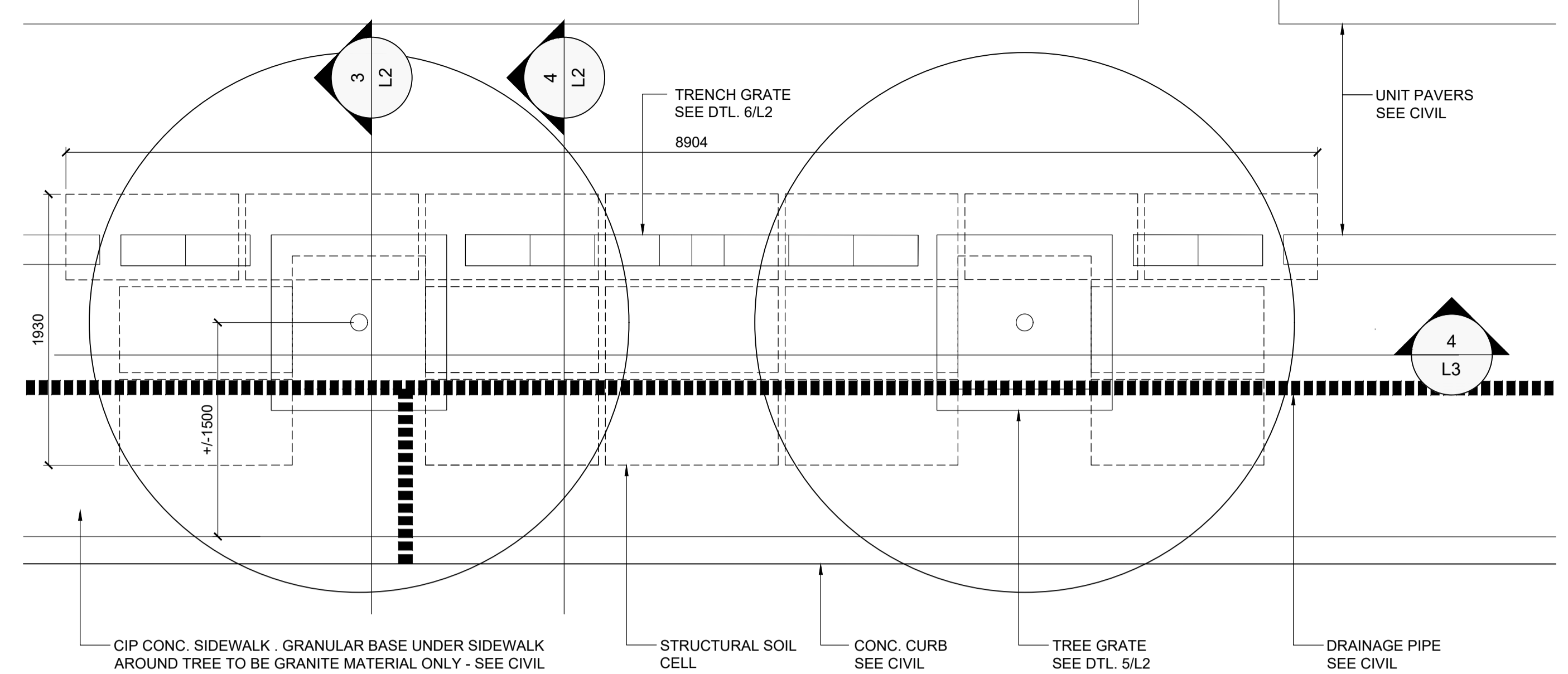
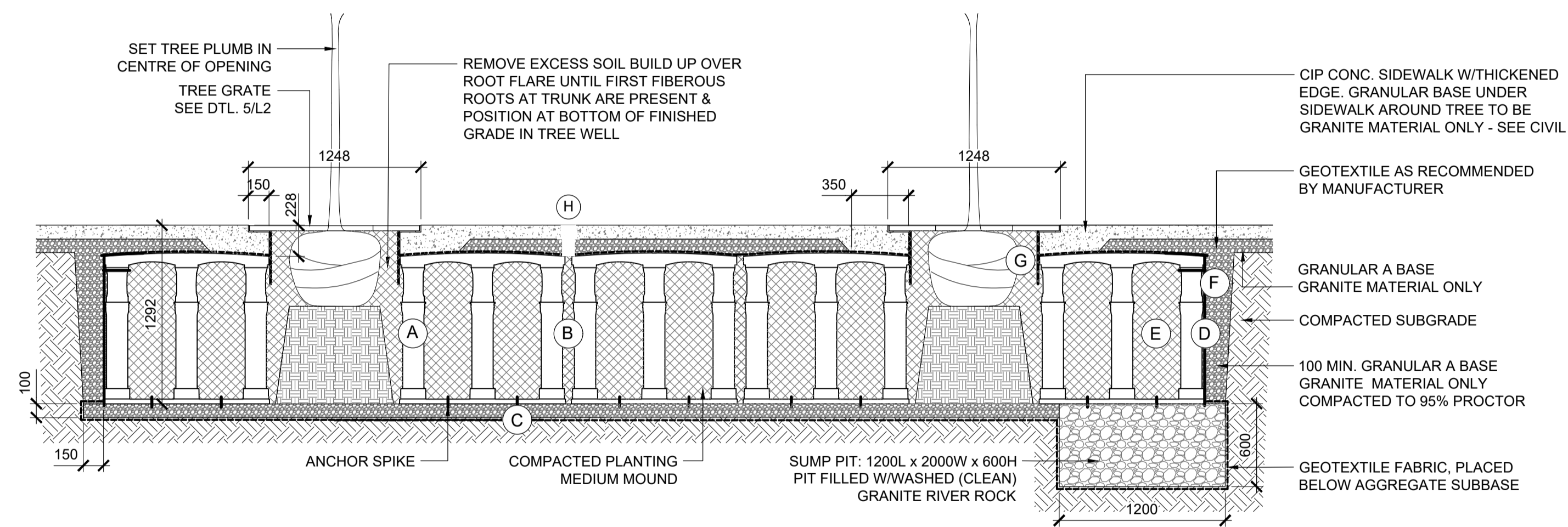


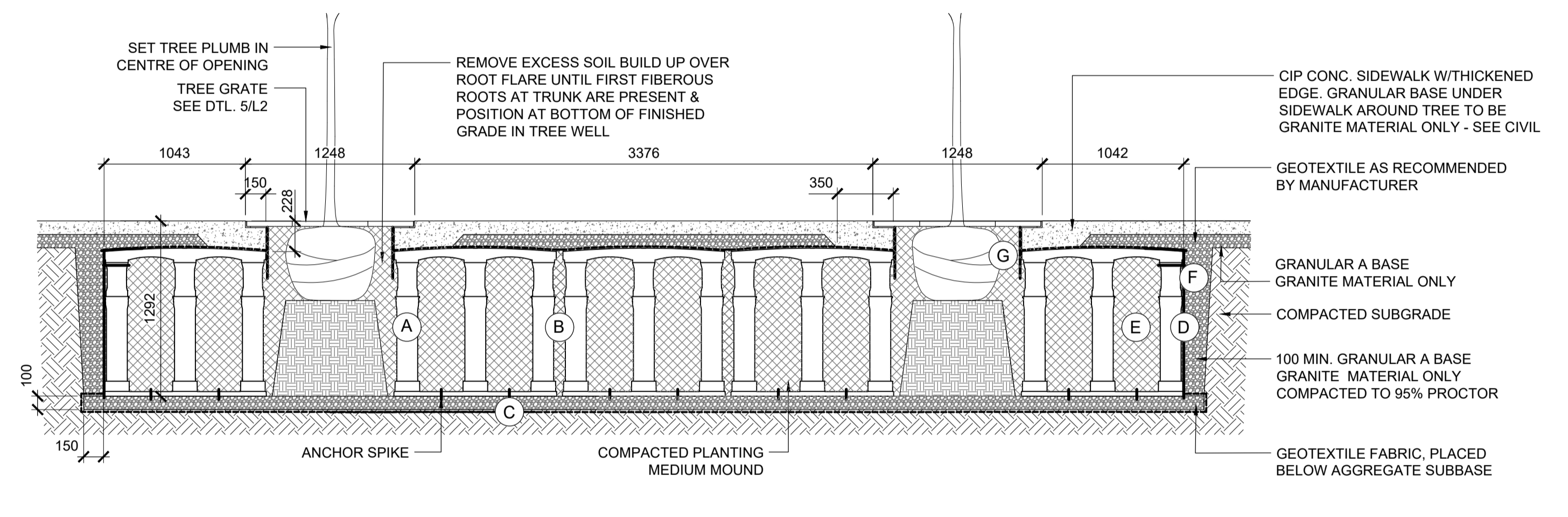
1 TYPE 2A SOIL CELL LAYOUT - SUMP PIT
L3 SCALE: 1:30



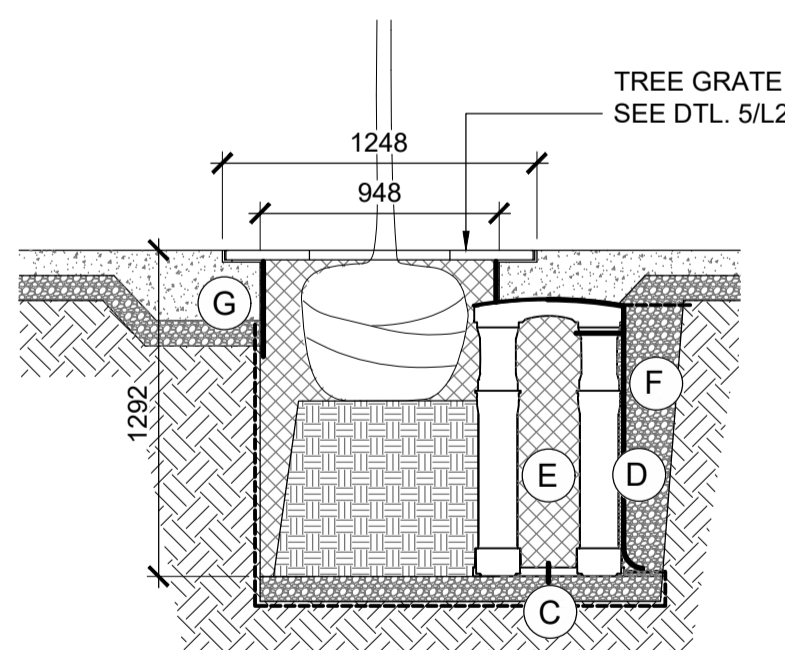
2 TYPE 2B SOIL CELL LAYOUT - DRAIN PIPE TO CB
L3 SCALE: 1:30



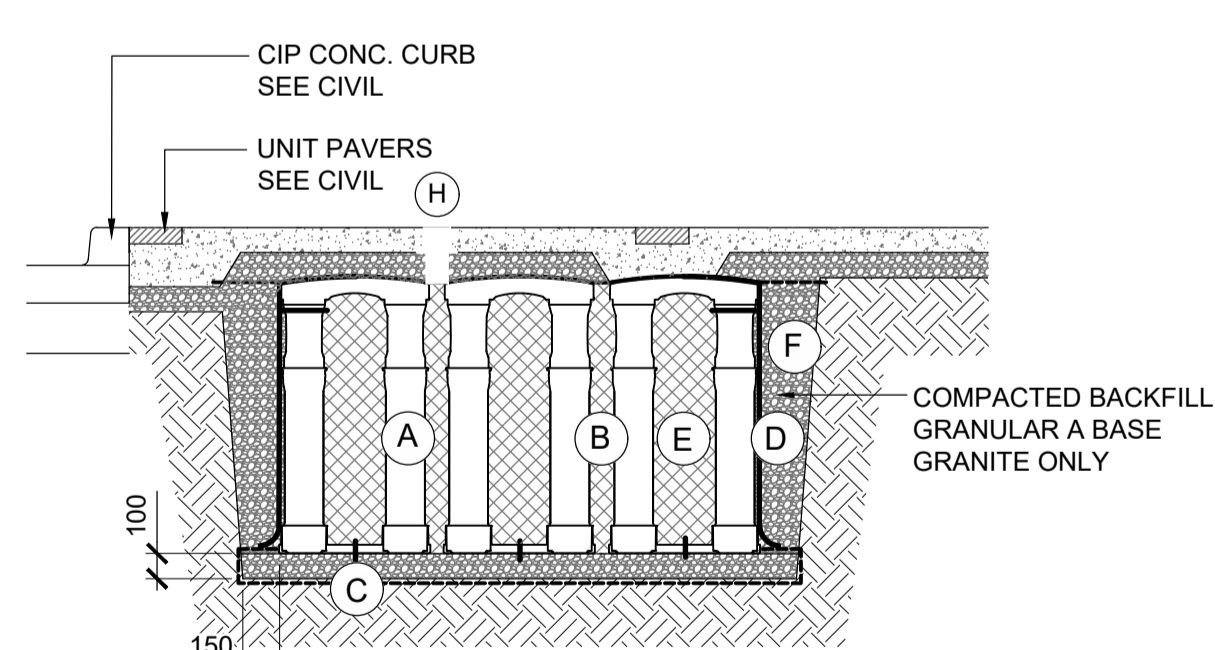
3 LONGITUDINAL SECTION TYP.
L3 SCALE: 1:30



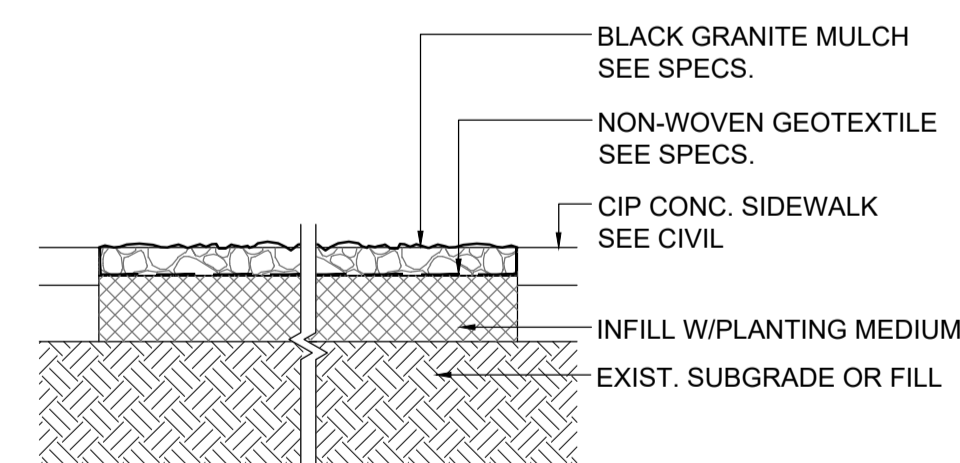
4 LONGITUDINAL SECTION TYP.
L3 SCALE: 1:30



5 SECTION AT TREES
L3 SCALE: 1:30



6 SECTION AT SOIL CELLS
L3 SCALE: 1:30



7 BLACK GRANITE MULCH BED
L3 SCALE: 1:20

STRUCTURAL SOIL CELL - LEGEND:

- (A) SOIL CELL SYSTEM (DECK, BASE & POSTS)
- (B) 50 GAP B/T SOIL CELLS AT BASE
- (C) ANCHORING SPIKES 300 LONG GALVANIZED
- (D) GEOGRID, WRAPPED AROUND PERIMETER OF SOIL CELL SYSTEM W/150 TOE (OUTWARD FROM BASE) & 300 EXCESS (OVER TOP OF DECK)
- (E) PLANTING MEDIUM - SEE SPECS.
- (F) COMPACTED BACKFILL GRANULAR A BASE GRANITE MATERIAL ONLY
- (G) DEEPROOT BARRIER 400 DEPTH, INSTALL DIRECTLY ADJACENT TO CONCRETE EDGE RESTRAINT
- (H) DEEPROOT WATER & VENT - SILVA CELLS

UNDERGROUND STRUCTURES		B.M. ELEV.
SUPV. U/G STRUCTURES	DATE	
LOCATION OF UNDERGROUND STRUCTURES AS SHOWN ARE BASED ON THE BEST INFORMATION AVAILABLE. BUT NO GUARANTEE IS GIVEN THAT ALL EXISTING UTILITIES ARE SHOWN OR THAT THE GIVEN LOCATIONS ARE EXACT. CONFIRMATION OF EXISTENCE AND EXACT LOCATION OF ALL SERVICES MUST BE OBTAINED FROM THE INDIVIDUAL UTILITIES BEFORE PROCEEDING WITH CONSTRUCTION.		

NO.	REVISIONS	DATE	BY	DATE	2024-05-14
1	ISSUE FOR ADDENDUM 1	2024-05-14	JH		

DESIGNED BY	JH
DRAWN BY	SW
CHECKED BY	JH
APPROVED BY	JH
HOR. SCALE	RELEASED FOR CONSTRUCTION
VERTICAL	DATE

HTFC
PLANNING & DESIGN
500-115 St. James Avenue East, Winnipeg, MB R2S 9S3
PHONE 204-944-9907

ENGINEER'S SEAL
JAMES HUDSON
Member No. 186
2024-05-14

THE CITY OF WINNIPEG
PUBLIC WORKS DEPARTMENT

REGIONAL STREET RENEWAL PROGRAM
2024 PROVENCHEUR STREET REHABILITATION

SOIL CELL TYPE 2A & 2B & DETAILS

CITY DRAWING NUMBER
CONSULTANT DRAWING NUMBER
L3