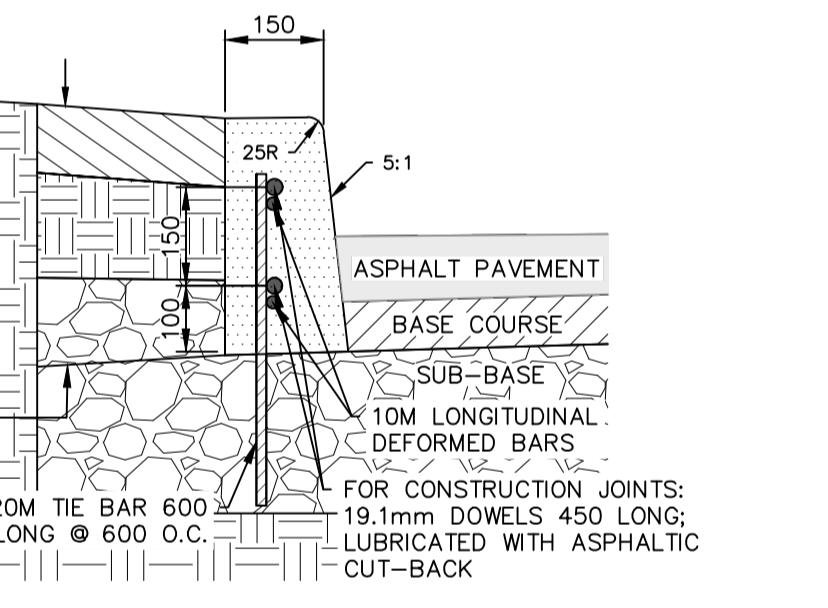
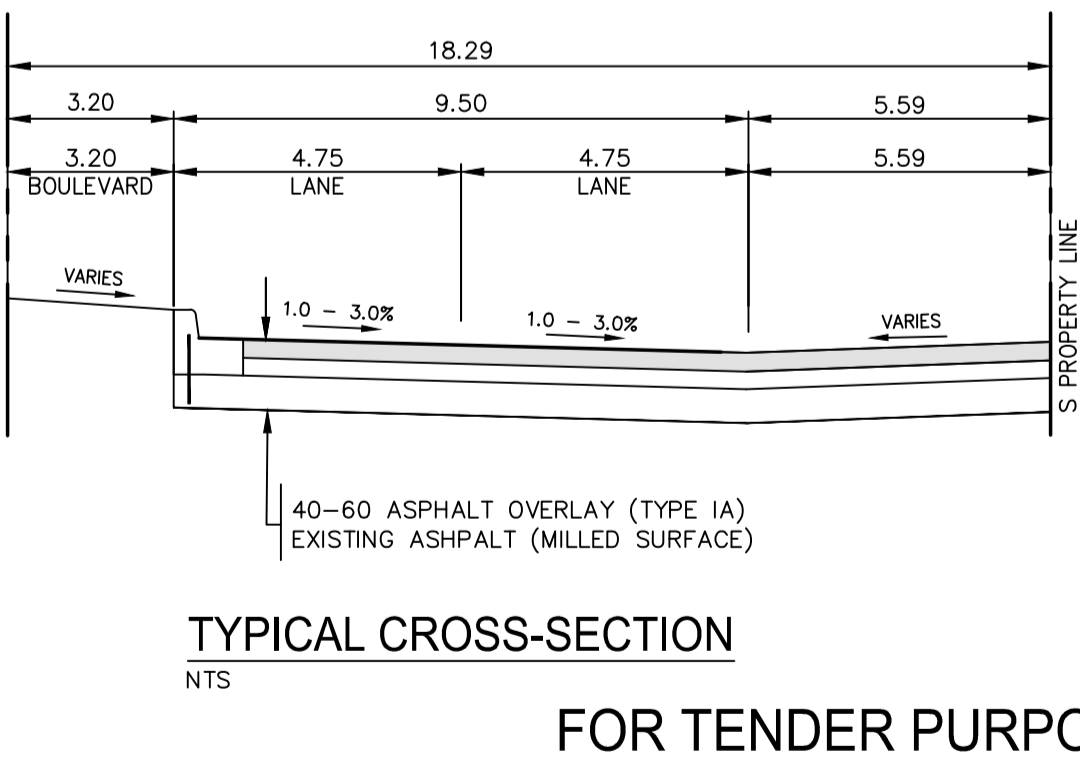
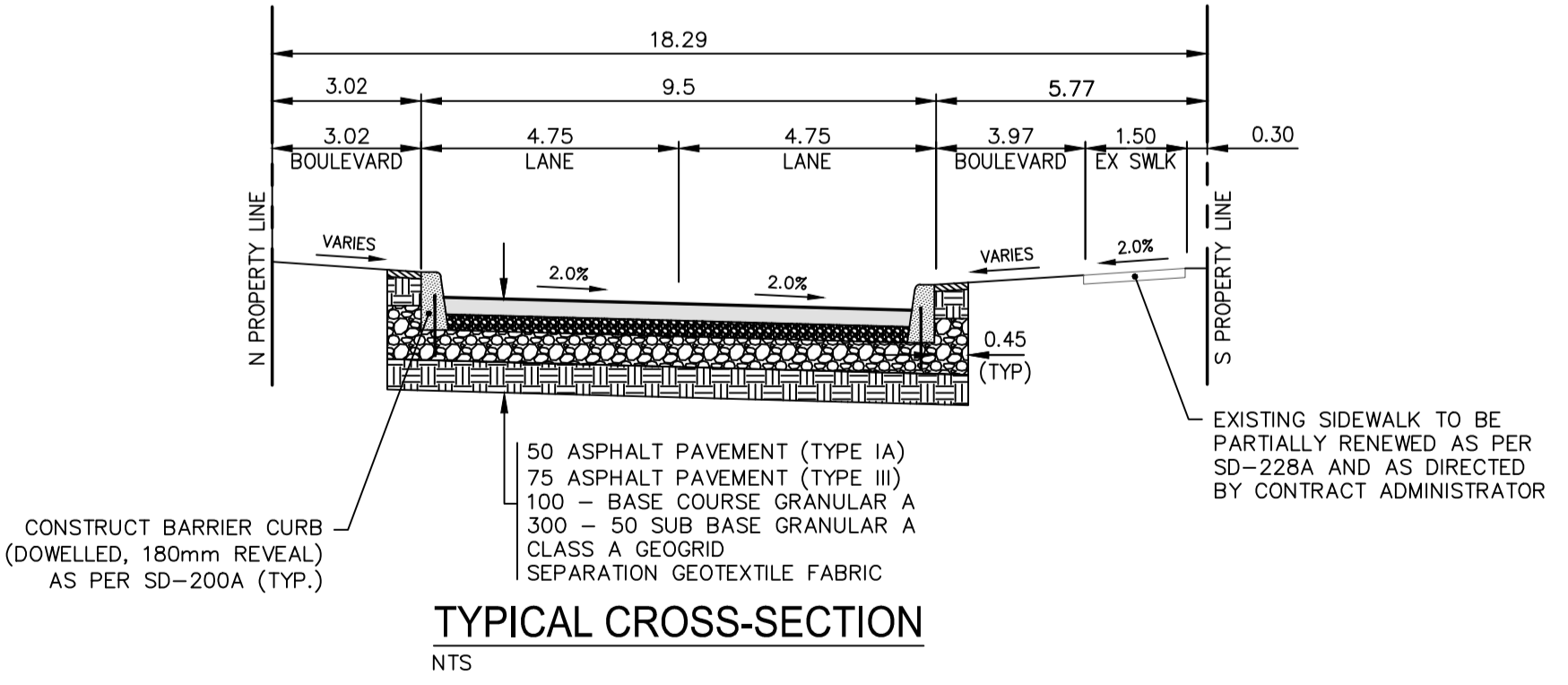


- NOTES:**
1. ALL WORK AND MATERIALS TO BE IN ACCORDANCE WITH THE LATEST REVISION OF THE CITY OF WINNIPEG STANDARD CONSTRUCTION SPECIFICATIONS.
  2. CONTRACTOR TO CONFIRM THE LOCATION OF ALL UTILITIES/SERVICES IN THE FIELD PRIOR TO CONSTRUCTION.
  3. ALL ROADWAY DIMENSIONS SHOWN ARE TO BACK OF CURB.
  4. EXISTING ASPHALT TO BE PLANED AS SHOWN OR AS DIRECTED BY CONTRACT ADMINISTRATOR.
  5. EXISTING SIDEWALK TO BE RENEWED AS PER SD-228A AND AS DIRECTED BY CONTRACT ADMINISTRATOR.
  6. CURB TO BE RENEWED AS DIRECTED BY CONTRACT ADMINISTRATOR.
  7. ALL PRIVATE WALKWAYS TO BE ADJUSTED TO NEW SIDEWALK OR TOP OF CURB ELEVATION, AS DIRECTED BY THE CONTRACT ADMINISTRATOR.
  8. EXISTING LIP CURB AT PRIVATE APPROACHES TO BE RENEWED AS DIRECTED BY CONTRACT ADMINISTRATOR.
  9. MODIFIED BARRIER CURB TO BE CONSTRUCTED AT ALL INTERSECTION RADII AND ALLEY RADII.
  10. CONSTRUCT FULL DEPTH ASPHALT PATCHES AS SHOWN OR AS DIRECTED BY CONTRACT ADMINISTRATOR.
  11. CONTRACTORS TO TAKE PRECAUTIONARY STEPS TO PROTECT EXISTING TREES WITHIN THE LIMITS OF CONSTRUCTION FROM DAMAGE FROM CONSTRUCTION ACTIVITIES AS OUTLINED IN THE SPECIFICATIONS.
  12. LAMP STANDARDS, HYDRO POLES, AND ANCHORS THAT REQUIRE TEMPORARY SUPPORT, REMOVAL OR REPLACEMENT, TO BE DONE SO AT THE EXPENSE OF THE CONTRACTOR AS NECESSARY.
  13. ALL BOULEVARDS TO BE SODDED UNLESS OTHERWISE NOTED.
  14. ADJUST ALL WATER VALVES, HYDRANTS, MANHOLES, AND CATCH BASINS IN WORK AREA TO GRADE.

EXISTING	LEGEND-PLAN	PROPOSED	EXISTING	LEGEND-PLAN	PROPOSED	EXISTING	LEGEND-PROFILE	PROPOSED
---	WATER MAIN	---	---	ANCHOR	---	---		
---	LAND DRAINAGE SEWER	---	---	HYDRO POLE & LIGHT STANDARD	---	---		
---	WASTE WATER SEWER	---	---	LIGHT STANDARD OR TRAFFIC SIGNAL	---	---		
---	HYDRO	---	---	HYDRO POLE	---	---		
---	BELL/MTS	---	---	CURB RAMP	---	---		
---	GAS	---	---	DETECTABLE WARNING SURFACE TILE	---	---		
---	SIGNALS	---	---	EDGE OF SIDEWALK	---	---		
---	MANHOLE	---	---	FENCE	---	---		
---	CATCH BASIN	---	---	PROPERTY LINE	---	---		
---	CURB INLET	---	---	EDGE OF ASPHALT	---	---		
---	UTILITIES ADJUSTED	---	---	EDGE OF CONCRETE	---	---		
---	PLUG	---	---	MODIFIED BARRIER CURB	---	---		
---	HYDRANT	---	---	BARRIER CURB	---	---		
---	VALVE	---	---	BARRIER CURB AND GUTTER	---	---		
---	CURB STOP	---	---	CONC SIDEWALK	---	---		
---	IRON BAR	---	---	CONCRETE SLAB	---	---		
#111	CIVIC ADDRESS	---	---	ASPHALT	---	---		
(231.00)	PAVEMENT GRADE	(231.000)	---	MILLED SURFACE	---	---		
230.99	GROUND GRADE	---	---	PAVEMENT REPAIR FABRIC	---	---		
---	EXISTING	---	---	---	---	---		



**LOCATIONS APPROVED UNDERGROUND STRUCTURES**

SIGNED BY: \_\_\_\_\_ DATE: \_\_\_\_\_

NO. REVISIONS: \_\_\_\_\_ DATE: \_\_\_\_\_ BY: \_\_\_\_\_

LOCATION OF UNDERGROUND STRUCTURES AS SHOWN ARE BASED ON THE BEST INFORMATION AVAILABLE BUT NO GUARANTEE IS GIVEN THAT ALL EXISTING UTILITIES ARE SHOWN OR THAT THE GIVEN LOCATIONS ARE EXACT CONFIRMATION OF EXISTENCE AND EXACT LOCATION OF ALL SERVICES MUST BE OBTAINED FROM THE INDIVIDUAL UTILITIES BEFORE PROCEEDING

**wsp**

DESIGNED BY: N.T. CHECKED BY: R.H.

DRAWN BY: N.T. APPROVED BY: S.S.

HOR. SCALE: 1:250

VERTICAL SCALE: 1:10

NO. 1 ISSUED FOR TENDER

DATE: DECEMBER 2023

WSP Canada Inc.  
1600 Buffalo Place  
Winnipeg, MB R3T 6B8  
t. 204.477.6650  
f. 204.474.2864  
www.wsp.com

ENGINEER'S SEAL

S.C. MINY  
REGISTERED PROFESSIONAL ENGINEER

2024-03-25

CONSULTANT ACAD DWG. NO.  
CA0017599.2194-02

**THE CITY OF WINNIPEG**  
PUBLIC WORKS DEPARTMENT  
ENGINEERING SERVICES DIVISION

2024 LOCAL STREET RENEWALS

ADAMAR ROAD

ASPHALT RECONSTRUCTION  
STA. 2+05 TO STA. 3+17.45

CITY DRAWING NUMBER  
SHEET 02 OF 15

TENDER NO.  
192-2024

Mar 22, 2024 - 1:25pm  
 P:\2023\CA0017599.2194 - 2024 Local Street Renewals\_751-2023\05.07 Drawings\03\_Work\_Dwg\CA0017599.2194\_Adamar\_Rd\_Plan&Profile.dwg - tab:192-2024\_Drawing\_CA0017599.2194-02-R0