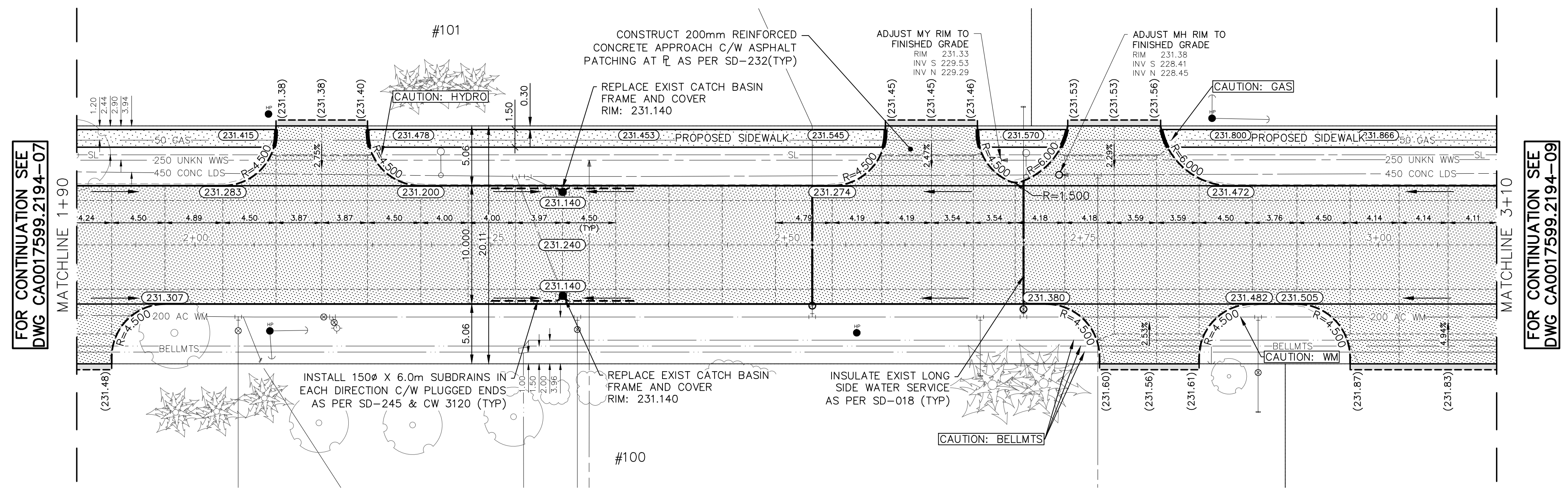


IRENE STREET



- NOTES:
1. ALL WORK AND MATERIALS TO BE IN ACCORDANCE WITH THE LATEST REVISION OF THE CITY OF WINNIPEG STANDARD CONSTRUCTION SPECIFICATIONS.
 2. CONTRACTOR TO CONFIRM THE LOCATION OF ALL UTILITIES/SERVICES IN THE FIELD PRIOR TO CONSTRUCTION.
 3. ALL ROADWAY DIMENSIONS SHOWN ARE TO BACK OF CURB.
 4. EXISTING ASPHALT TO BE PLANED AS SHOWN OR AS DIRECTED BY CONTRACT ADMINISTRATOR.
 5. 200mm PARTIAL CONCRETE SLAB PATCHES SHOWN ARE ONLY A REPRESENTATIVE APPROXIMATION OF THE TENDERED QUANTITIES.
 6. CONSTRUCT 200mm CONCRETE COMMERCIAL APPROACHES WITH 75mm OF GRANULAR A BASE, 300mm OF 50mm GRANULAR A SUBBASE AND SEPARATION/FILTRATION GEOTEXTILE FABRIC AS DIRECTED BY CONTRACT ADMINISTRATOR.
 7. PROPOSED SIDEWALK TO BE INSTALLED AS PER SD-228A AND AS DIRECTED BY CONTRACT ADMINISTRATOR.
 8. REMOVE/PLANE EXISTING CURB AND CONSTRUCT BARRIER CURB AS PER SD-206A AND AS DIRECTED BY CONTRACT ADMINISTRATOR.
 9. ALL PRIVATE WALKWAYS TO BE ADJUSTED TO NEW SIDEWALK OR TOP OF CURB ELEVATION, AS DIRECTED BY THE CONTRACT ADMINISTRATOR.
 10. PAVEMENT REPAIR FABRIC TO BE INSTALLED AS SHOWN OR AS DIRECTED BY CONTRACT ADMINISTRATOR.
 11. MODIFIED BARRIER CURBS TO BE CONSTRUCTED AT ALL INTERSECTION RADII AND ALLEY RADII.
 12. CONTRACTORS TO TAKE PRECAUTIONARY STEPS TO PROTECT EXISTING TREES WITHIN THE LIMITS OF CONSTRUCTION FROM DAMAGE FROM CONSTRUCTION ACTIVITIES AS OUTLINED IN THE SPECIFICATIONS.
 13. LAMP STANDARDS, HYDRO POLES, AND ANCHORS THAT REQUIRE TEMPORARY SUPPORT, REMOVAL OR REPLACEMENT, TO BE DONE SO AT THE EXPENSE OF THE CONTRACTOR AS NECESSARY.
 14. ALL BOULEVARDS TO BE SODDED UNLESS OTHERWISE NOTED.
 15. ADJUST ALL WATER VALVES, HYDRANTS, MANHOLES, AND CATCH BASINS IN WORK AREA TO GRADE.

EXISTING	LEGEND-PLAN	PROPOSED	EXISTING	LEGEND-PLAN	PROPOSED	EXISTING	LEGEND-PROFILE	PROPOSED
---	WATER MAIN	---	---	ANCHOR	---	---	---	---
---	LAND DRAINAGE SEWER	---	---	HYDRO POLE & LIGHT STANDARD	---	---	---	---
---	WASTE WATER SEWER	---	---	LIGHT STANDARD OR TRAFFIC SIGNAL	---	---	---	---
---	HYDRO	---	---	HYDRO POLE	---	---	---	---
---	BELL/MTS	---	---	CURB RAMP	---	---	---	---
---	GAS	---	---	DETECTABLE WARNING SURFACE TILE	---	---	---	---
---	SIGNALS	---	---	EDGE OF SIDEWALK	---	---	---	---
---	MANHOLE	---	---	FENCE	---	---	---	---
---	CATCH BASIN	---	---	PROPERTY LINE	---	---	---	---
---	CURB INLET	---	---	EDGE OF ASPHALT	---	---	---	---
---	UTILITIES ADJUSTED	---	---	EDGE OF CONCRETE	---	---	---	---
---	PLUG	---	---	MODIFIED BARRIER CURB	---	---	---	---
---	HYDRANT	---	---	BARRIER CURB	---	---	---	---
---	VALVE	---	---	BARRIER CURB AND GUTTER	---	---	---	---
---	CURB STOP	---	---	CONC SIDEWALK	---	---	---	---
---	IRON BAR	---	---	CONCRETE SLAB	---	---	---	---
#111	CIVIC ADDRESS	---	---	ASPHALT	---	---	---	---
(231.00)	PAVEMENT GRADE	(231.000)	---	MILLED SURFACE	---	---	---	---
230.99	GROUND GRADE	---	---	PAVEMENT REPAIR FABRIC	---	---	---	---
---	EXISTING	---	---	---	---	---	---	---

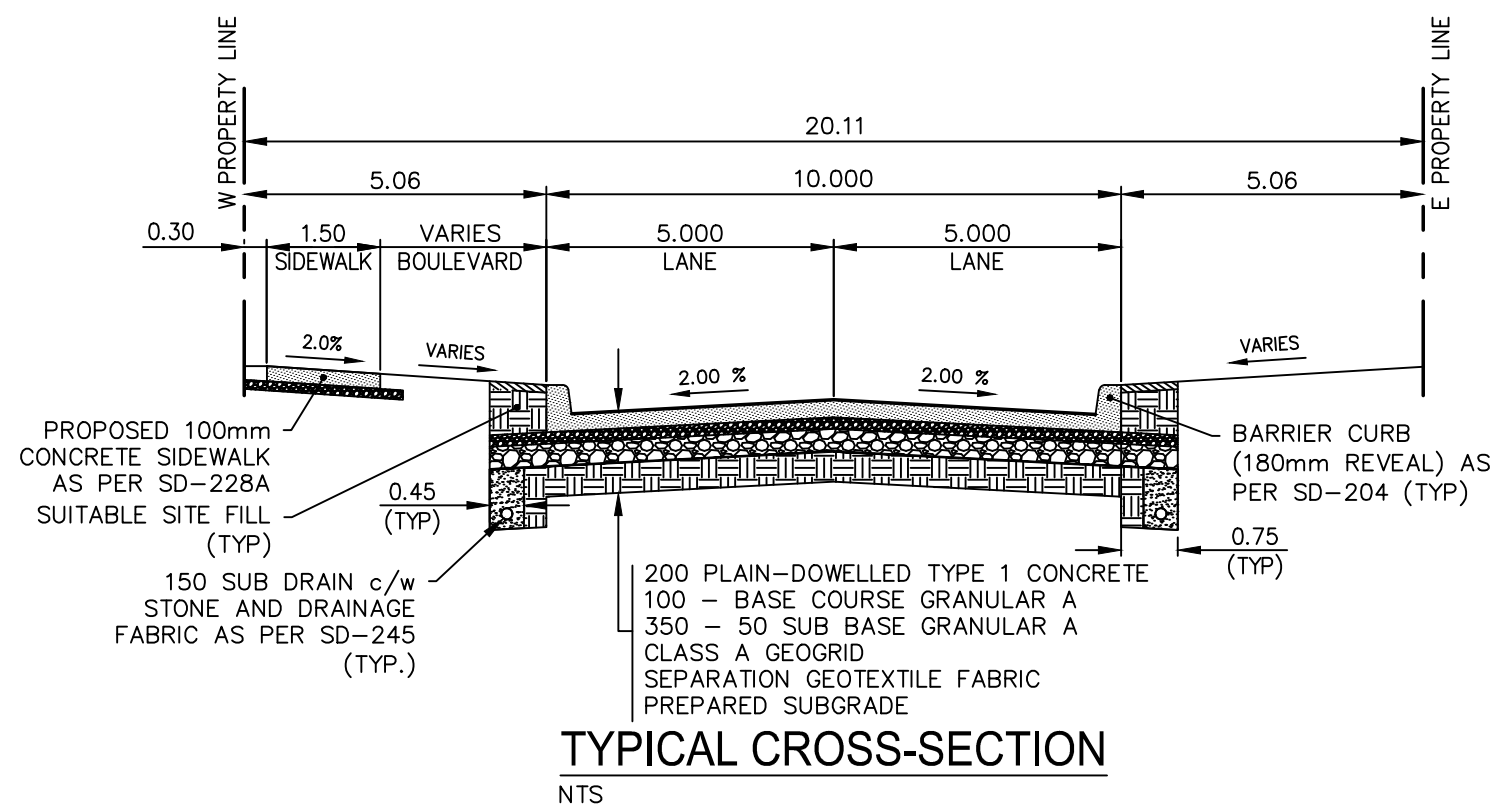
LOCATIONS APPROVED UNDERGROUND STRUCTURES

SIGNED BY: _____ DATE: _____

SUPV UG STRUCTURES

LOCATION OF UNDERGROUND STRUCTURES AS SHOWN ARE BASED ON THE BEST INFORMATION AVAILABLE BUT NO GUARANTEE IS GIVEN THAT ALL EXISTING UTILITIES ARE SHOWN OR THAT THE GIVEN LOCATIONS ARE EXACT CONFIRMATION OF EXISTENCE AND EXACT LOCATION OF ALL SERVICES MUST BE OBTAINED FROM THE INDIVIDUAL UTILITIES BEFORE PROCEEDING

NO.	REVISIONS	DATE	BY
7			
6			
5			
4			
3			
2			
1			
0	ISSUED FOR TENDER	2024/03/22	R.H.



METRIC
WHOLE NUMBERS INDICATE MILLIMETRES
DECIMALIZED NUMBERS INDICATE METRES

ENGINEERS GEOSCIENTISTS MANITOBA
Certificate of Authorization
WSP Canada Inc.
No. 5750

FOR TENDER PURPOSES ONLY
NOT FOR CONSTRUCTION

Mar 22, 2024 - 2:58pm
P:\2023\CA0017599.2194 - 2024 Local Street Renewals\751-2023\05.07 Drawings\03_Work_Dwg\CA0017599.2194_Irene_St_Plan&Profile.dwg - Job:192-2024_Drawing_CA0017599.2194-08-00

ENGINEER'S SEAL

S.C. MINY
REGISTERED PROFESSIONAL ENGINEER
2024-03-25

CONSULTANT ACAD DWG. NO.
CA0017599.2194-08

THE CITY OF WINNIPEG
PUBLIC WORKS DEPARTMENT
ENGINEERING SERVICES DIVISION

2024 LOCAL STREET RENEWALS
IRENE STREET
CONCRETE RECONSTRUCTION AND MAJOR REHABILITATION
STA. 1+90 TO STA. 3+10

CITY DRAWING NUMBER
SHEET 08 OF 15

TENDER NO.
192-2024