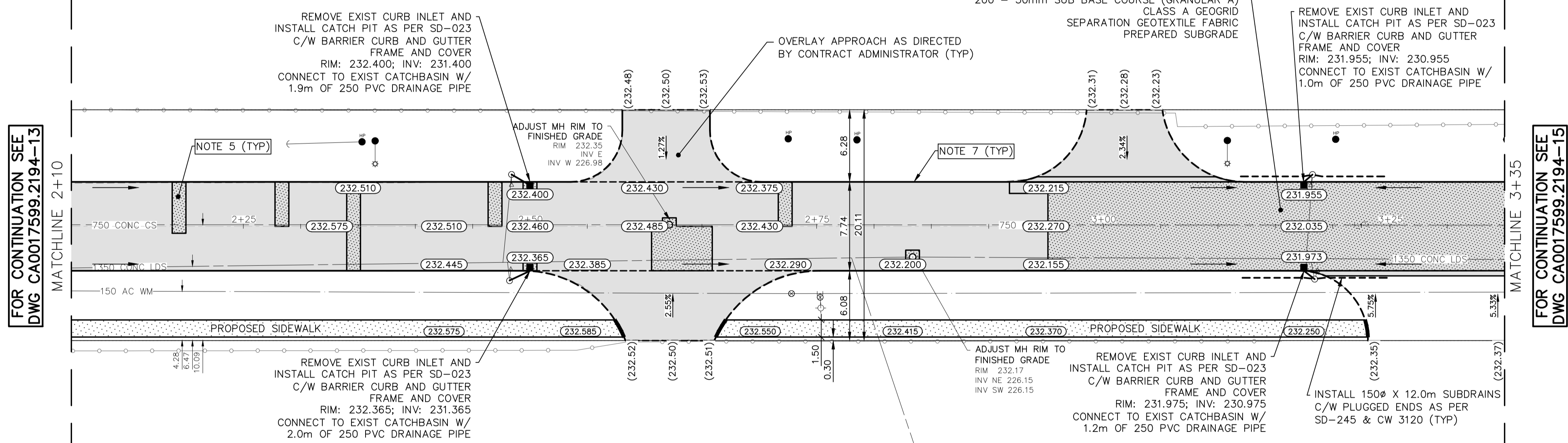


SPARLING AVENUE



- NOTES:
1. ALL WORK AND MATERIALS TO BE IN ACCORDANCE WITH THE LATEST REVISION OF THE CITY OF WINNIPEG STANDARD CONSTRUCTION SPECIFICATIONS.
 2. CONTRACTOR TO CONFIRM THE LOCATION OF ALL UTILITIES/SERVICES IN THE FIELD PRIOR TO CONSTRUCTION.
 3. ALL ROADWAY DIMENSIONS SHOWN ARE TO BACK OF CURB.
 4. EXISTING ASPHALT TO BE PLANED AS SHOWN OR AS DIRECTED BY CONTRACT ADMINISTRATOR.
 5. 150mm PARTIAL CONCRETE SLAB PATCHES SHOWN ARE ONLY A REPRESENTATIVE APPROXIMATION OF THE TENDERED QUANTITIES.
 6. PROPOSED SIDEWALK TO BE INSTALLED AS PER SD-228A AND AS DIRECTED BY CONTRACT ADMINISTRATOR.
 7. PLANE/REMOVE EXISTING CURB AND CONSTRUCT BARRIER CURB AS PER SD-206A AND AS DIRECTED BY CONTRACT ADMINISTRATOR.
 8. ALL PRIVATE WALKWAYS TO BE ADJUSTED TO NEW SIDEWALK OR TOP OF CURB ELEVATION, AS DIRECTED BY THE CONTRACT ADMINISTRATOR.
 9. PAVEMENT REPAIR FABRIC TO BE INSTALLED AS SHOWN OR AS DIRECTED BY CONTRACT ADMINISTRATOR.
 10. MODIFIED BARRIER CURB TO BE CONSTRUCTED AT ALL INTERSECTION RADII AND ALLEY RADII.
 11. LAMP STANDARDS, HYDRO POLES, AND ANCHORS THAT REQUIRE TEMPORARY SUPPORT, REMOVAL OR REPLACEMENT, TO BE DONE SO AT THE EXPENSE OF THE CONTRACTOR AS NECESSARY.
 12. ALL BOULEVARDS TO BE SODDED UNLESS OTHERWISE NOTED.
 13. ADJUST ALL WATER VALVES, HYDRANTS, MANHOLES, AND CATCH BASINS IN WORK AREA TO GRADE.

EXISTING	LEGEND-PLAN	PROPOSED	EXISTING	LEGEND-PROFILE	PROPOSED
---	WATER MAIN	---	---	ANCHOR	---
---	LAND DRAINAGE SEWER	---	---	HYDRO POLE & LIGHT STANDARD	---
---	WASTE WATER SEWER	---	---	LIGHT STANDARD OR TRAFFIC SIGNAL	---
---	HYDRO	---	---	HYDRO POLE	---
---	BELL/MTS	---	---	CURB RAMP	---
---	GAS	---	---	DETECTABLE WARNING SURFACE TILE	---
---	SIGNALS	---	---	EDGE OF SIDEWALK	---
○	MANHOLE	●	---	FENCE	---
□	CATCH BASIN	■	---	PROPERTY LINE	---
△	CURB INLET	▽	---	EDGE OF ASPHALT	---
---	UTILITIES ADJUSTED	△ □ ○	---	EDGE OF CONCRETE	---
⌋	PLUG	⌋	---	MODIFIED BARRIER CURB	---
◇	HYDRANT	◆	---	BARRIER CURB	---
⊕	VALVE	⊕	---	BARRIER CURB AND GUTTER	---
⊙	CURB STOP	⊙	---	CONC SIDEWALK	---
⊕	IRON BAR	⊕	---	CONCRETE SLAB	---
#111	CIVIC ADDRESS	#111	---	ASPHALT	---
(231.00)	PAVEMENT GRADE	(231.00)	---	MILLED SURFACE	---
230.99	GROUND GRADE	230.99	---	PAVEMENT REPAIR FABRIC	---
---	EXISTING	---	---	---	---

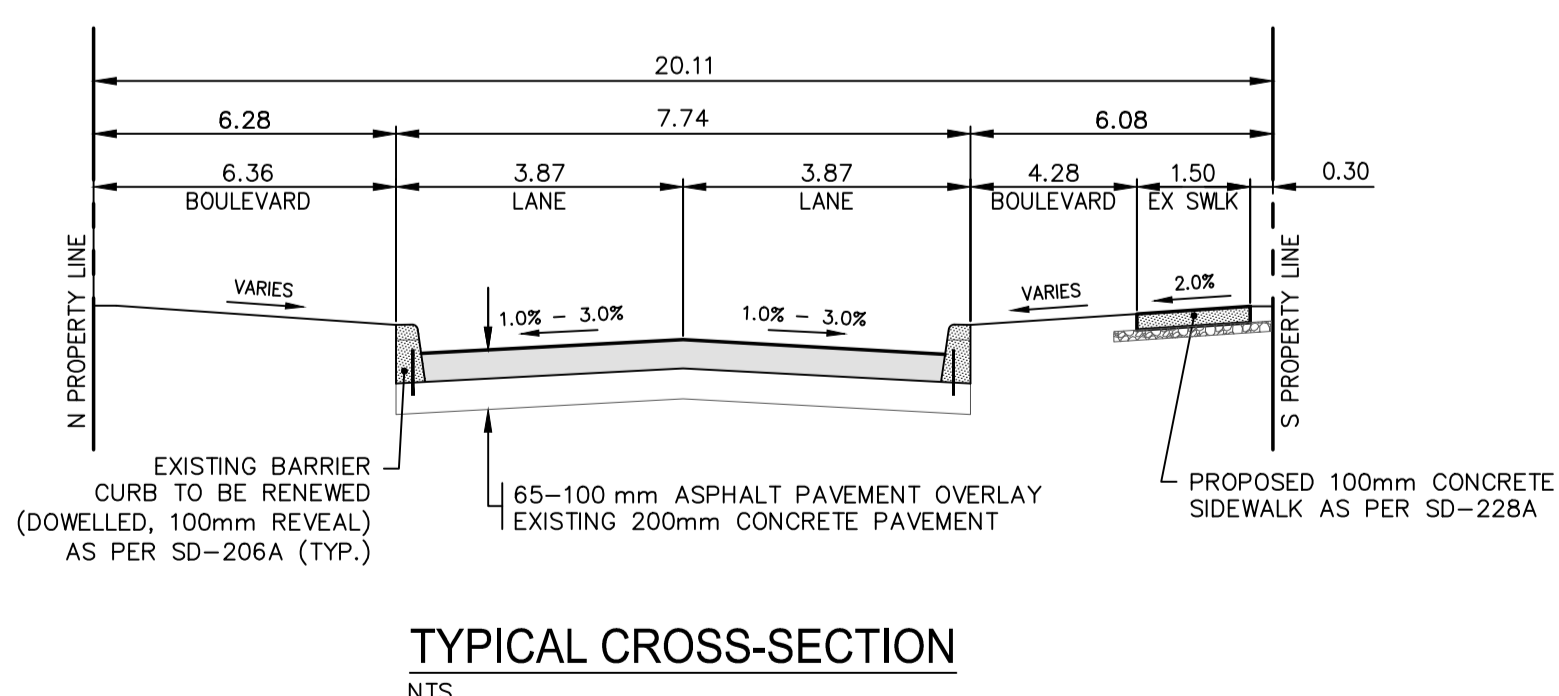
LOCATIONS APPROVED UNDERGROUND STRUCTURES

SIGNED BY: _____ DATE: _____

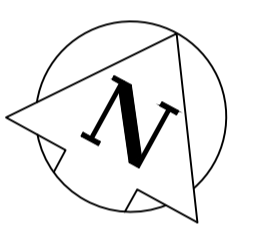
SUPV UG STRUCTURES

LOCATION OF UNDERGROUND STRUCTURES AS SHOWN ARE BASED ON THE BEST INFORMATION AVAILABLE BUT NO GUARANTEE IS GIVEN THAT ALL EXISTING UTILITIES ARE SHOWN OR THAT THE GIVEN LOCATIONS ARE EXACT CONFIRMATION OF EXISTENCE AND EXACT LOCATION OF ALL SERVICES MUST BE OBTAINED FROM THE INDIVIDUAL UTILITIES BEFORE PROCEEDING

NO.	REVISIONS	DATE	BY
7			
6			
5			
4			
3			
2			
1			
0	ISSUED FOR TENDER	20240302	R.H.



TYPICAL CROSS-SECTION NTS



FOR CONTINUATION SEE DWG CA0017599.2194-13

FOR CONTINUATION SEE DWG CA0017599.2194-15

METRIC
WHOLE NUMBERS INDICATE MILLIMETRES
DECIMALIZED NUMBERS INDICATE METRES

ENGINEERS GEOSCIENTISTS MANITOBA
Certificate of Authorization
WSP Canada Inc.
No. 5750

FOR TENDER PURPOSES ONLY
NOT FOR CONSTRUCTION

Mar 22, 2024 - 3:16pm
P:\2023\CA0017599.2194 - 2024 Local Street Renewals_751-2023\05.07 Drawings\03_Work_Dwg\CA0017599.2194_Sparling_Ave_Plan&Profile.dwg - tab:192-2024_Drawing_CA0017599.2194-14-R0

WSP Canada Inc.
1600 Buffalo Place
Winnipeg, MB R3T 6B8
t. 204.477.6650
f. 204.474.2864
www.wsp.com

THE CITY OF WINNIPEG
PUBLIC WORKS DEPARTMENT
ENGINEERING SERVICES DIVISION

2024 LOCAL STREET RENEWALS
SPARLING AVENUE
MAJOR REHABILITATION
STA. 2+10 TO STA. 3+35

CITY DRAWING NUMBER
SHEET 14 OF 15
TENDER NO. 192-2024