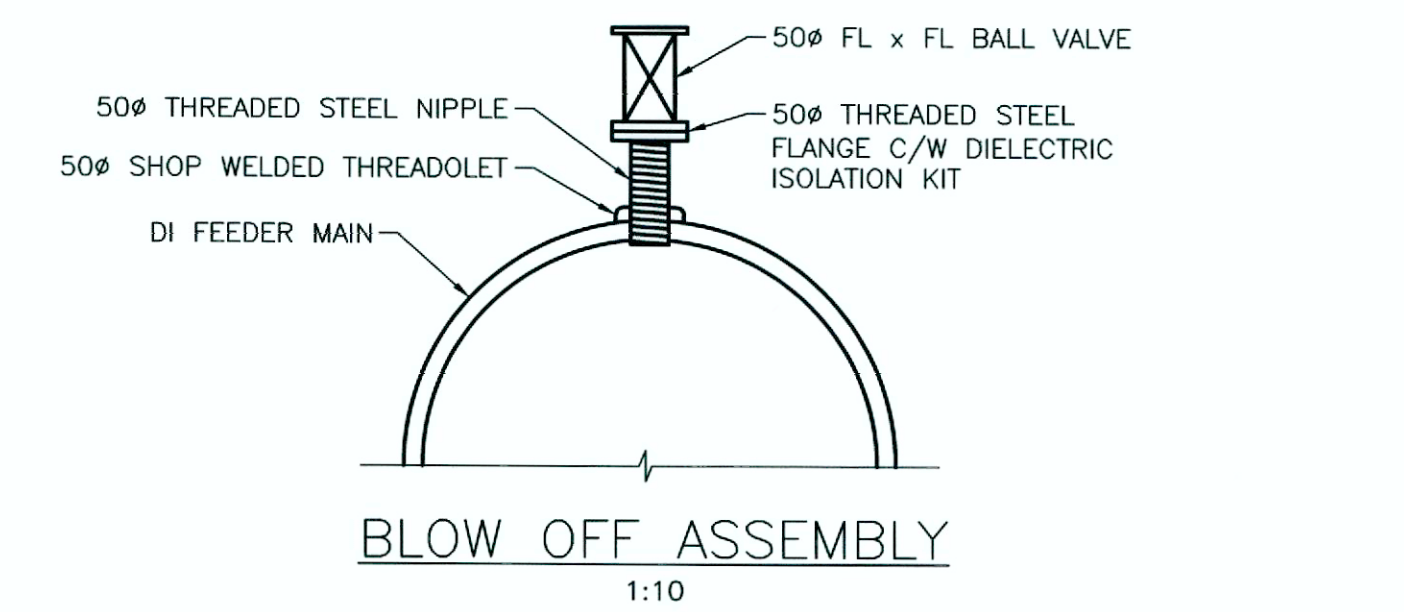


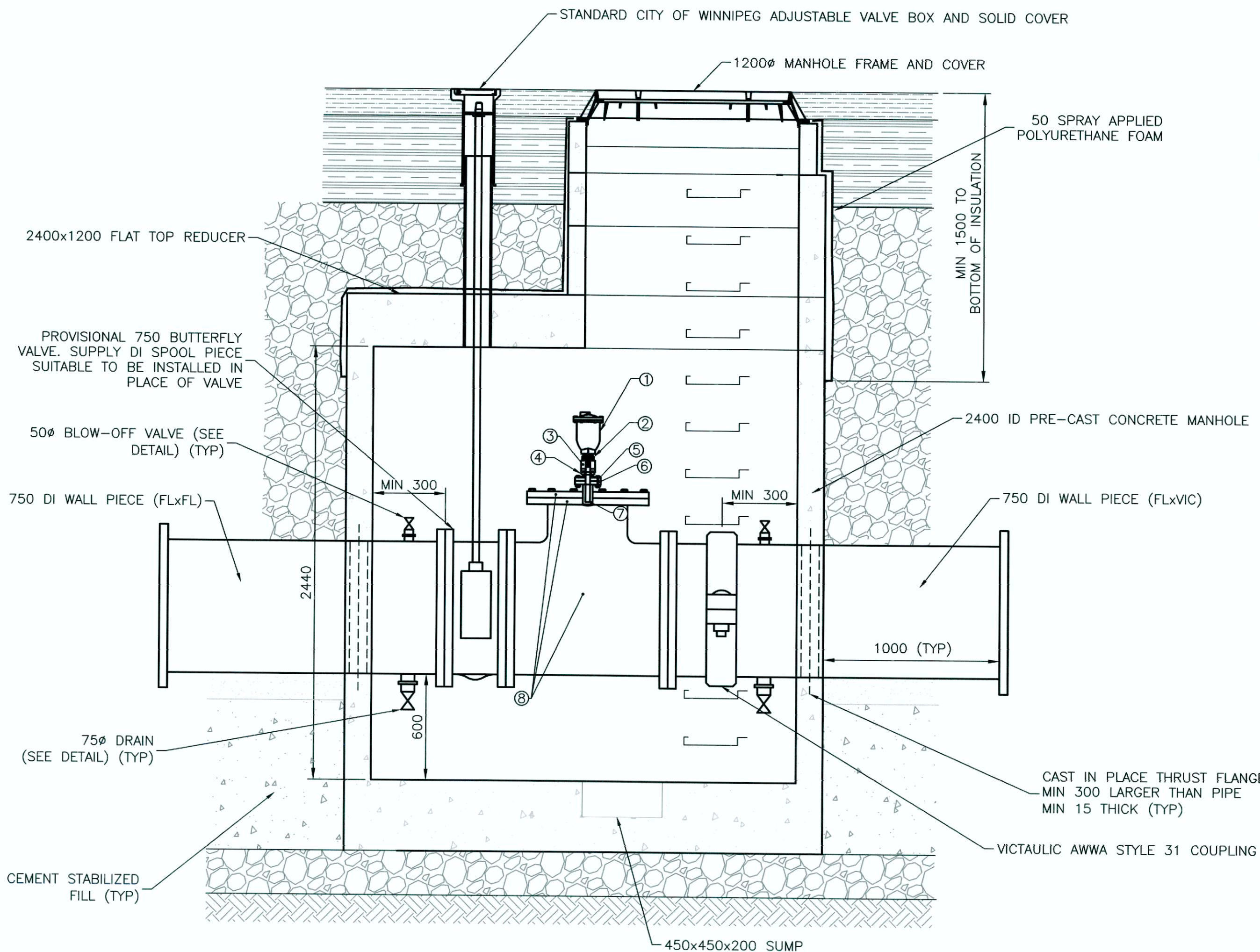
300 AC WATERMAIN RELOCATION DETAIL
NTS

- NOTES:
- ALL INTERNAL CHAMBER PIPING TO BE CEMENT MORTAR LINED DUCTILE IRON IN ACCORDANCE WITH AWWA C151 AND AWWA C104.
 - ALL VALVES TO BE AWWA C210 EPOXY COATED.
 - DIMENSIONS AND LAYOUT ARE APPROXIMATE ONLY. ALL DIMENSIONS AND LAYOUT MUST BE CONFIRMED BY THE CONTRACTOR BEFORE COMMENCING WORK.
 - SHOP DRAWINGS FOR CONCRETE STRUCTURES SHALL BE COORDINATED WITH ALL MECHANICAL SHOP DRAWINGS TO ENSURE PROPER FIT AND LOCATION.

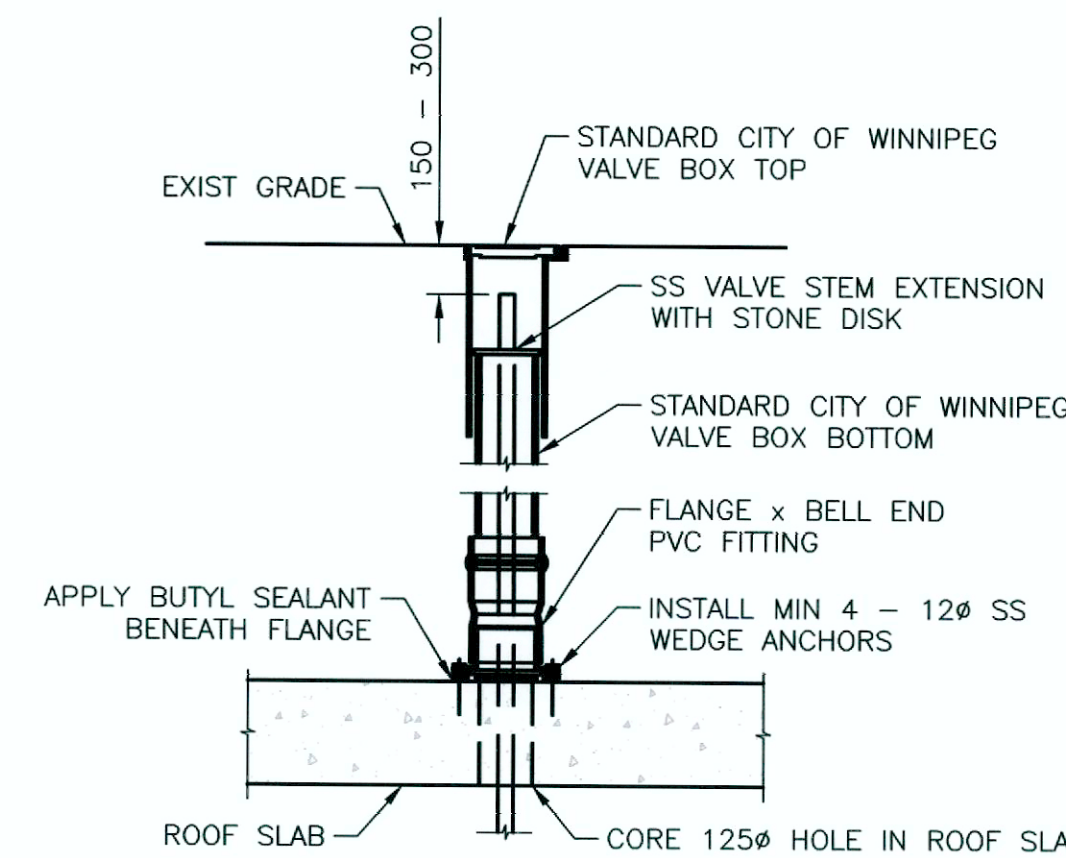
VALVE CHAMBER DETAIL	
ITEM	DESCRIPTION
1	AIR RELEASE VALVE C/W 50# THREADED INLET PORT
2	50# BRASS NIPPLE (THREADED)
3	50# BRONZE BALL VALVE (THREADED)
4	50# BRASS NIPPLE (THREADED)
5	50# BRASS FLANGE (THREADED)
6	50# BRASS FLANGE CLASS 125 (THREADED)
7	50# BRASS NIPPLE (THREADED)
8	750#x450#x750# DI TEE (FLxFLxFL) C/W 150# CLASS D BLIND FLANGE AND THREADED TAP



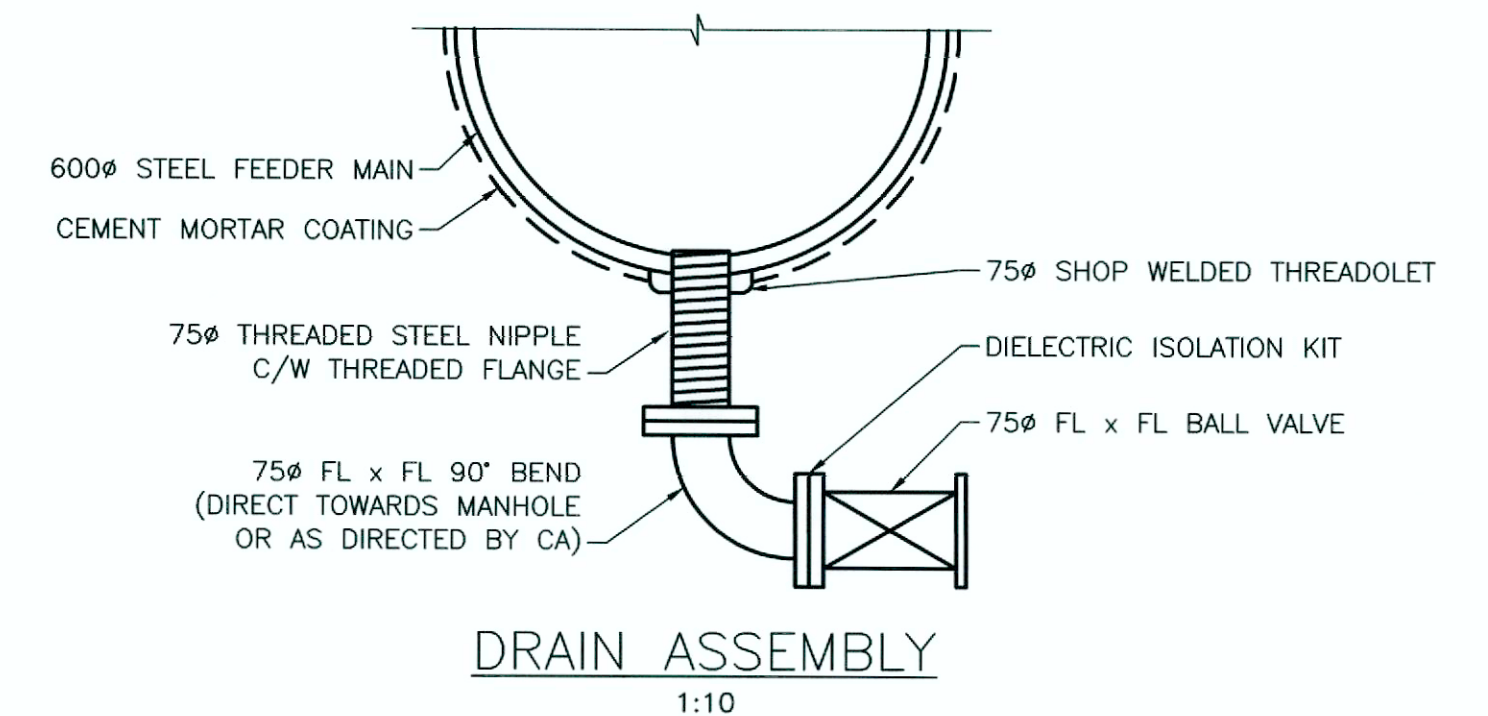
BLOW OFF ASSEMBLY
1:10



VALVE CHAMBER DETAIL
1:20



OFFTAKE STRUCTURE VALVE BOX ASSEMBLY
1:20



DRAIN ASSEMBLY
1:10

FOR INDEX SEE
1-0798F-D002-001

METRIC
WHOLE NUMBERS INDICATE MILLIMETRES
DECIMALIZED NUMBERS INDICATE METRES



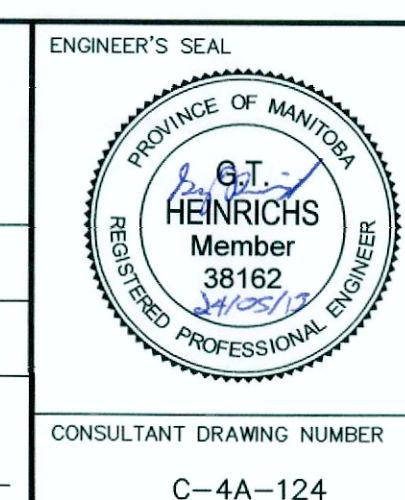
WARNING
IF POWER EQUIPMENT OR EXPLOSIVES ARE TO BE USED FOR EXCAVATION ON THIS PROJECT THE CONTRACTOR MUST:
1) NOTIFY THE GAS COMPANY OF THE PROPOSED LOCATION OF EXCAVATION.
2) TAKE PRECAUTION TO AVOID DAMAGE TO GAS COMPANY INSTALLATIONS.
SEE PROVINCIAL REGULATION 210/72 FOR DETAILS

LOCATION APPROVED UNDERGROUND STRUCTURES
SUPV. U/G STRUCTURES COMMITTEE DATE
NOTE:
LOCATION OF UNDERGROUND STRUCTURES AS SHOWN ARE BASED ON THE BEST INFORMATION AVAILABLE BUT NO GUARANTEE IS GIVEN THAT ALL EXISTING UTILITIES ARE SHOWN OR THAT THE GIVEN LOCATIONS ARE EXACT. CONFIRMATION OF EXISTENCE AND EXACT LOCATION OF ALL UTILITIES MUST BE OBTAINED FROM THE INDIVIDUAL UTILITIES BEFORE PROCEEDING WITH CONSTRUCTION.

VERTICAL DATUM: CGVD28 (HT2.0 Geoid)
HORIZONTAL DATUM: NAD83 (June 1990), Zone 14

NO.	REVISIONS	DATE (YY/MM/DD)	BY
1	ISSUED WITH ADDENDUM 2	24/05/13	GTH
0	ISSUED FOR TENDER	24/04/26	GTH

KGS GROUP
DESIGNED BY: GTH
CHECKED BY: RBO
DRAWN BY: GTH
APPROVED BY: RBO
SCALE: HORIZONTAL AS NOTED
VERTICAL: VERTICAL
DATE: 2024 05 13
PLOT DATE: 2024 05 13



THE CITY OF WINNIPEG
WATER AND WASTE DEPARTMENT
ENGINEERING DIVISION
CENTREPORT SOUTH REGIONAL WATER AND WASTEWATER SERVICING - PHASE 1A CONTRACT 4A - FEEDER MAIN VALVE AND AV CHAMBER DETAILS
SHEET 27 OF 34
CITY DRAWING NUMBER
1-0798B-C0008-001

ISSUED FOR TENDER
NOT TO BE USED FOR CONSTRUCTION