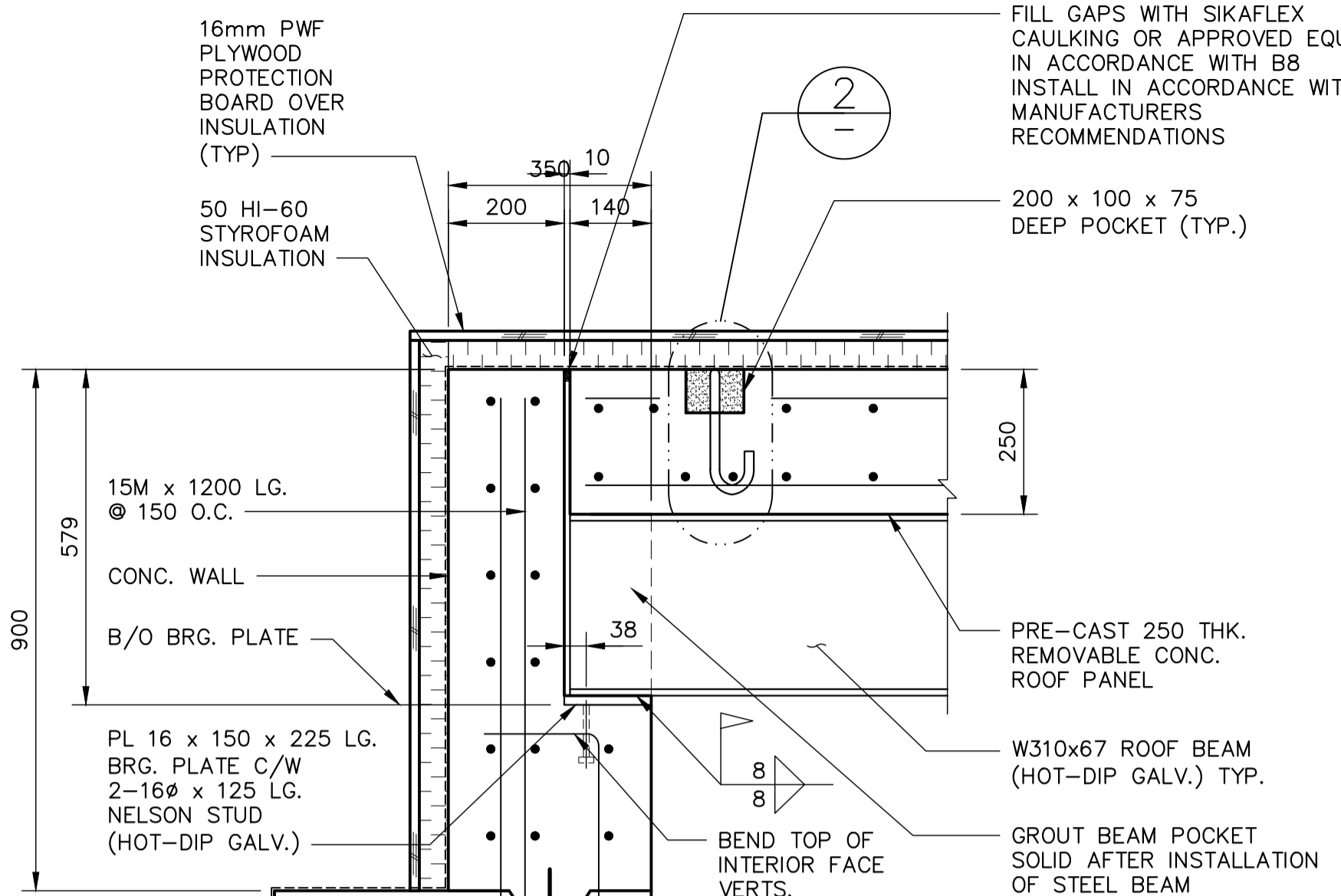
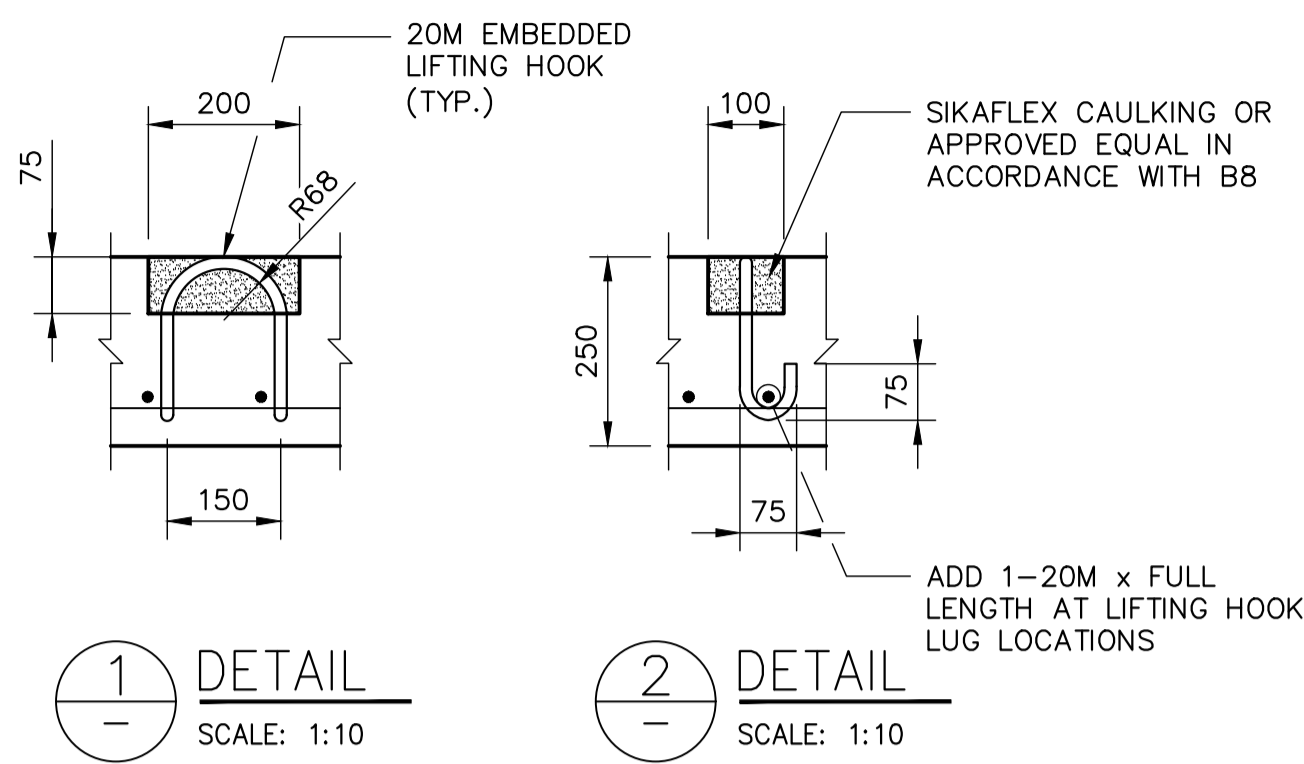


B SECTION
REF.1 SCALE: 1:10
REF.2

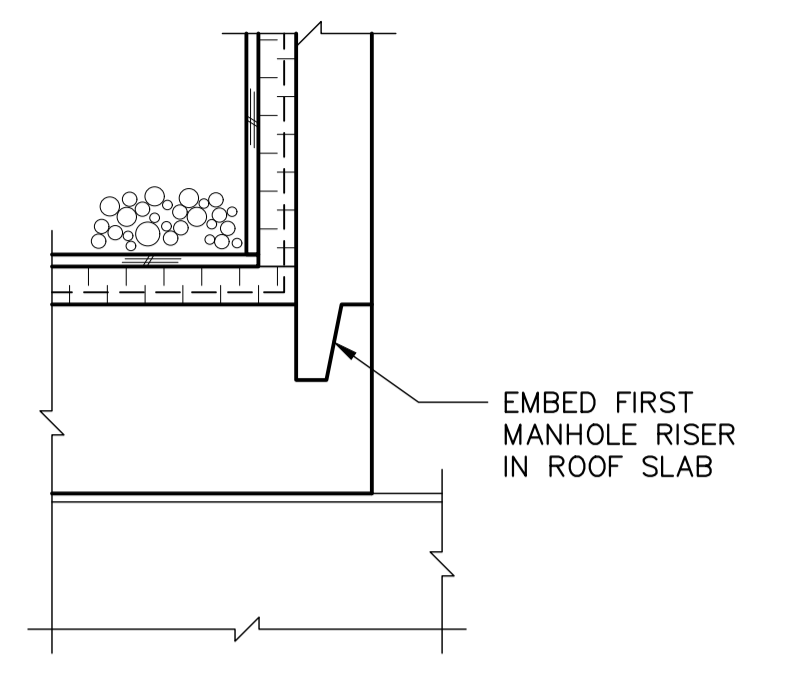


C SECTION
REF.1 SCALE: 1:10
REF.2

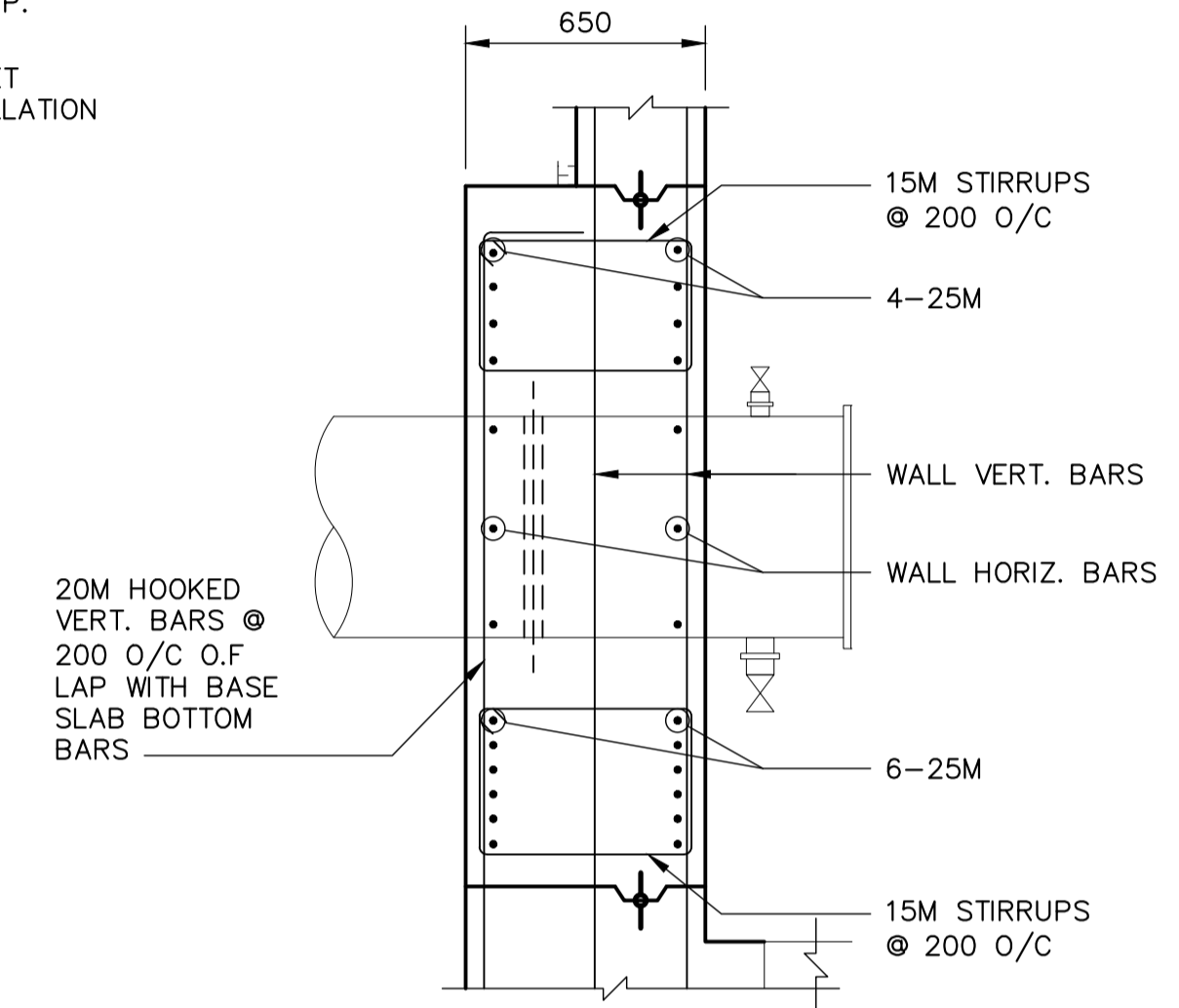
NOTE:
REMOVABLE PANELS TO BE 250 THK.
PRE-CAST CONC. REINFORCED WITH 20M
@ 200 O.C., E.W., TOP & BOTTOM.



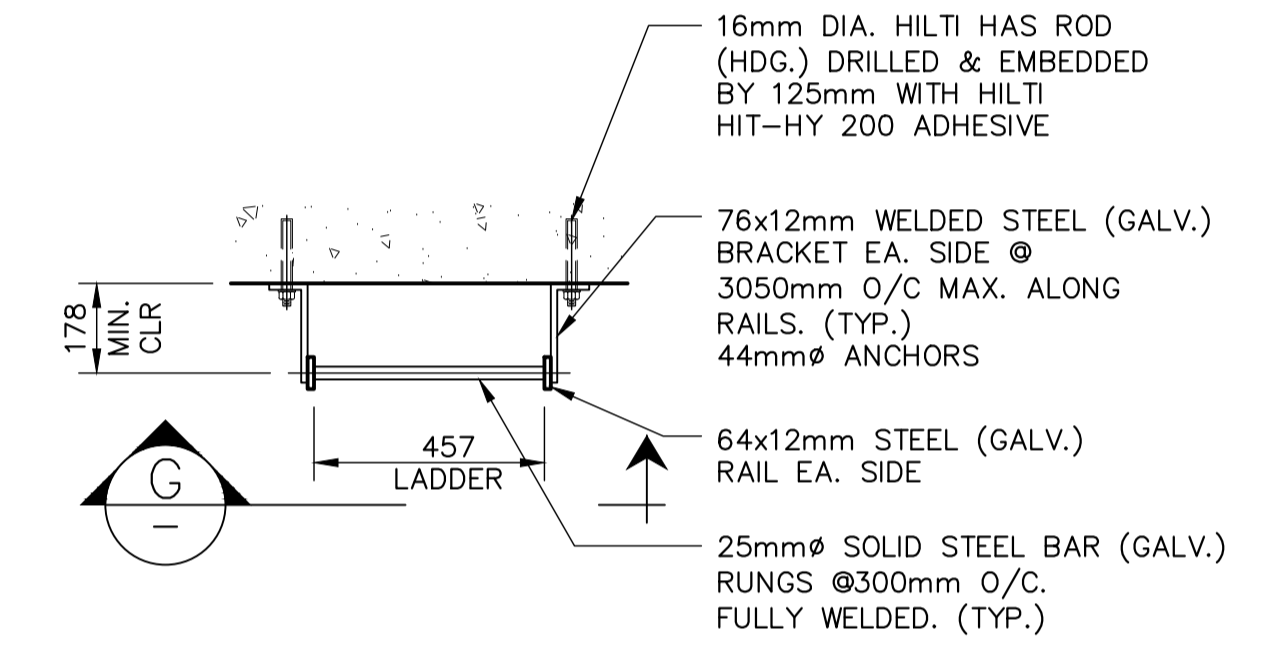
1 DETAIL SCALE: 1:10
2 DETAIL SCALE: 1:10



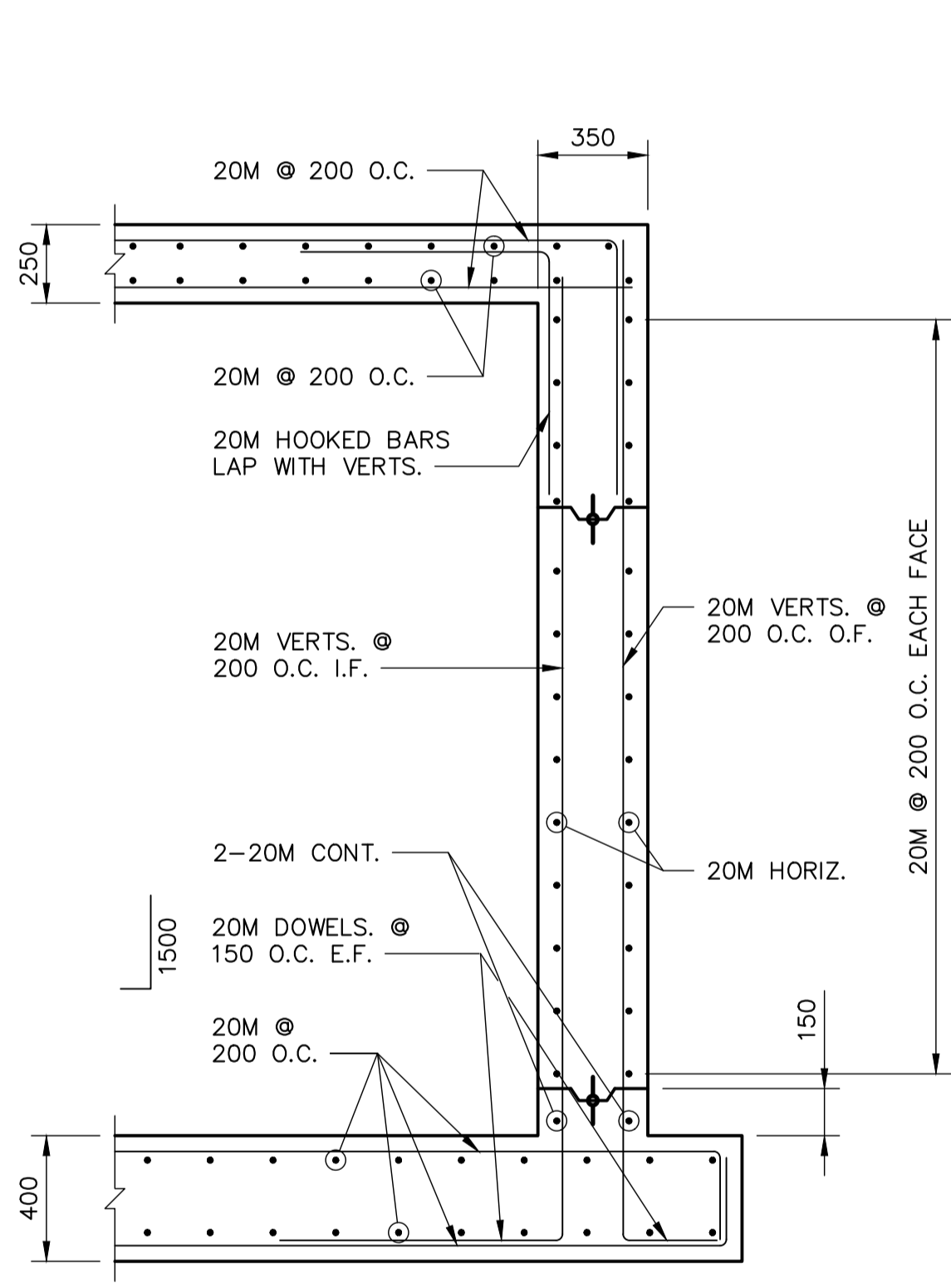
3 DETAIL - MANHOLE RISER EMBED
REF.1 SCALE: 1:10



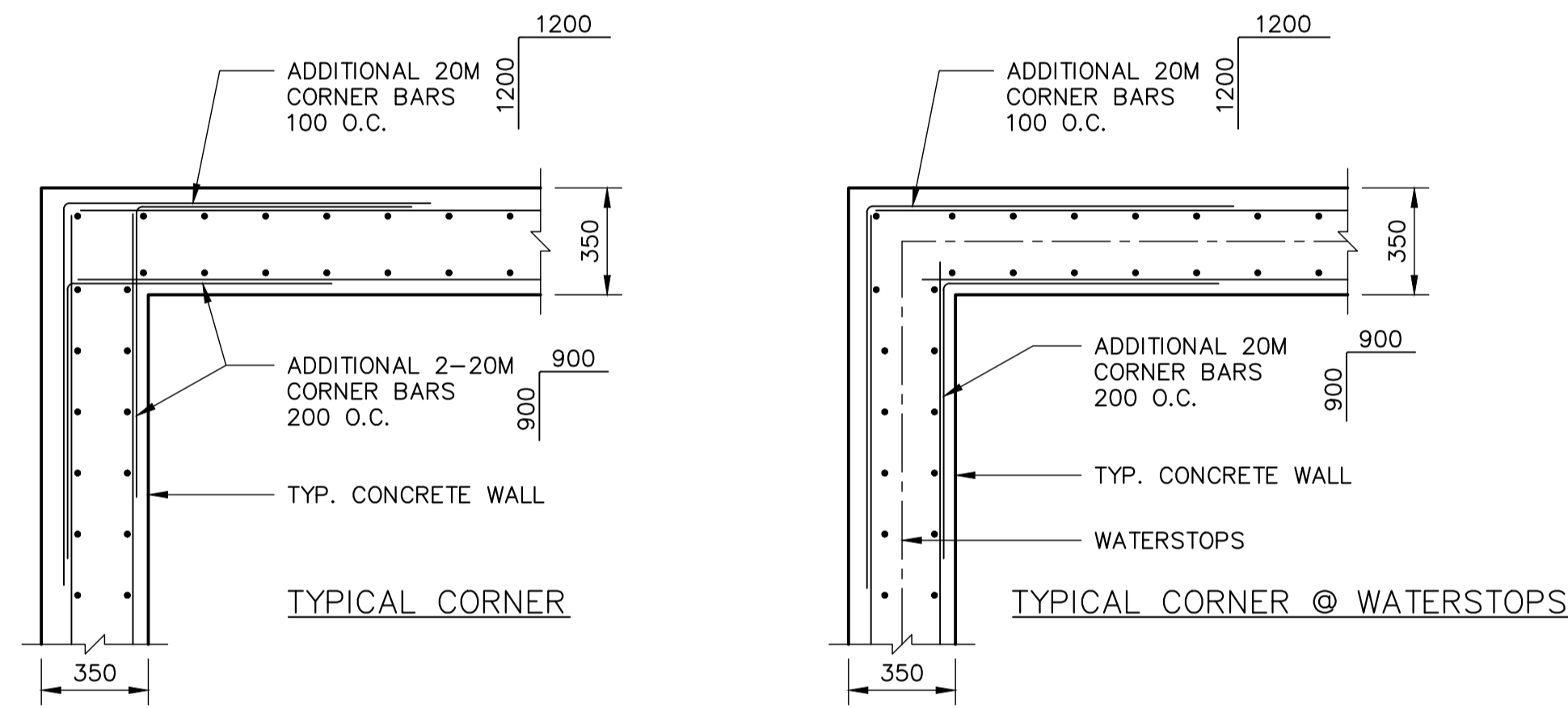
4 DETAIL - PIPE THRUST RESTRAINT WALL
REF.1 SCALE: 1:20
REF.2



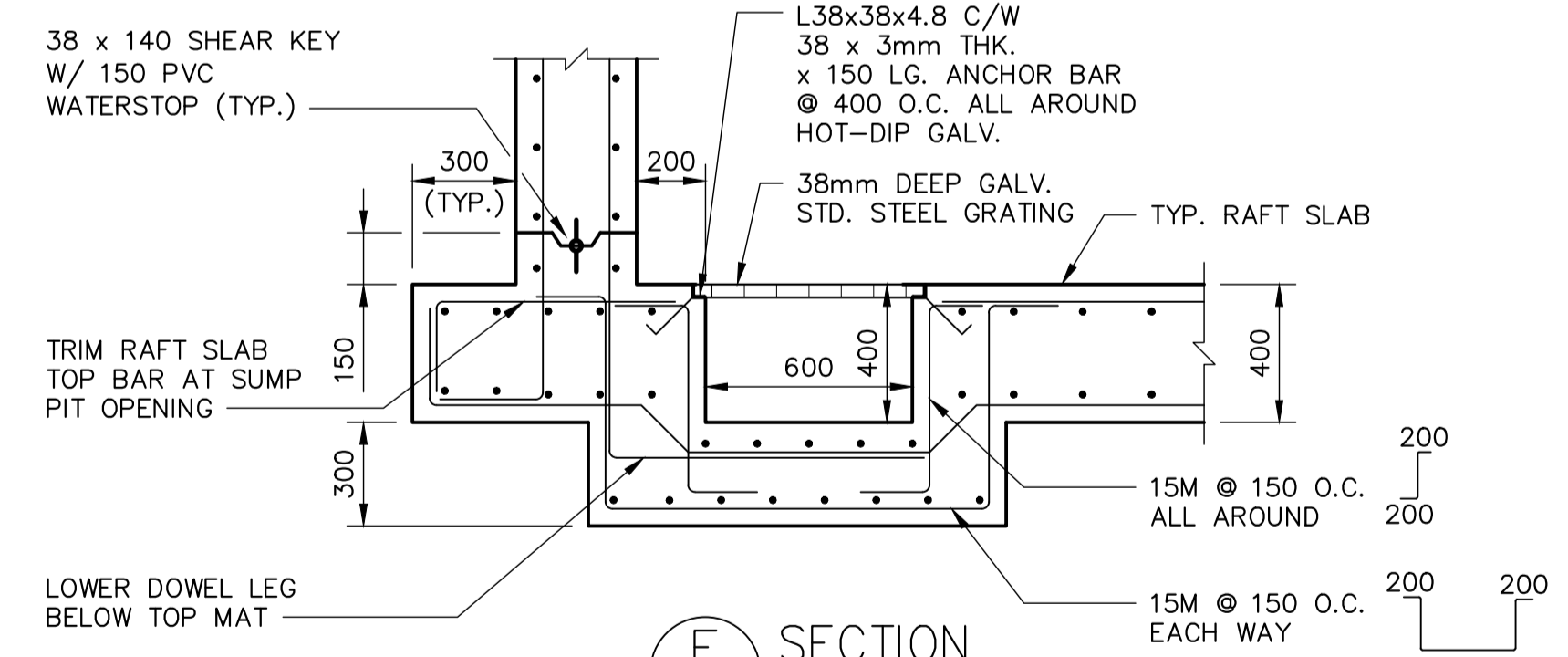
5 DETAIL - FIXED LADDER
REF.1 SCALE: 1:15
REF.2



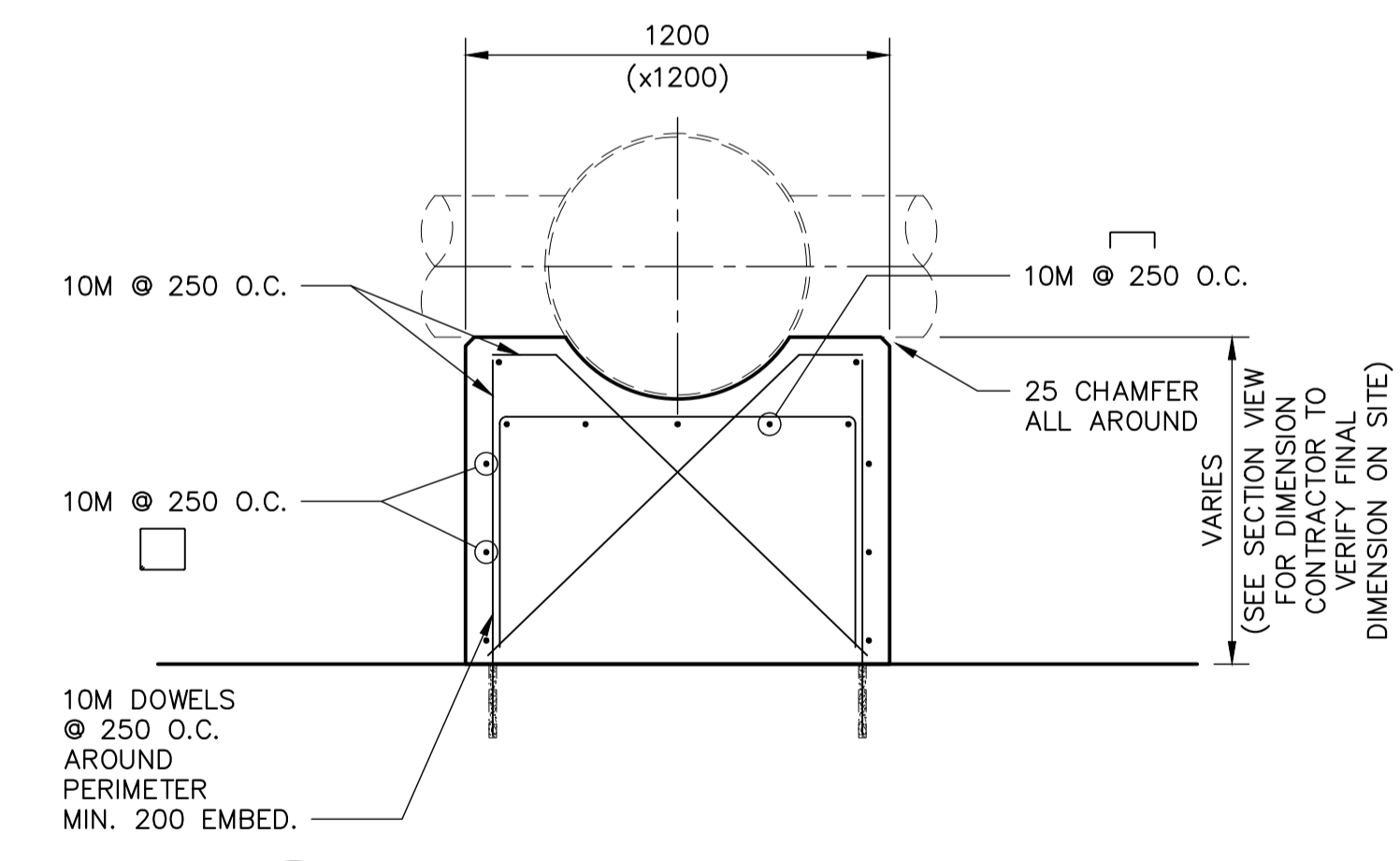
D SECTION
REF.1 SCALE: 1:20
REF.2



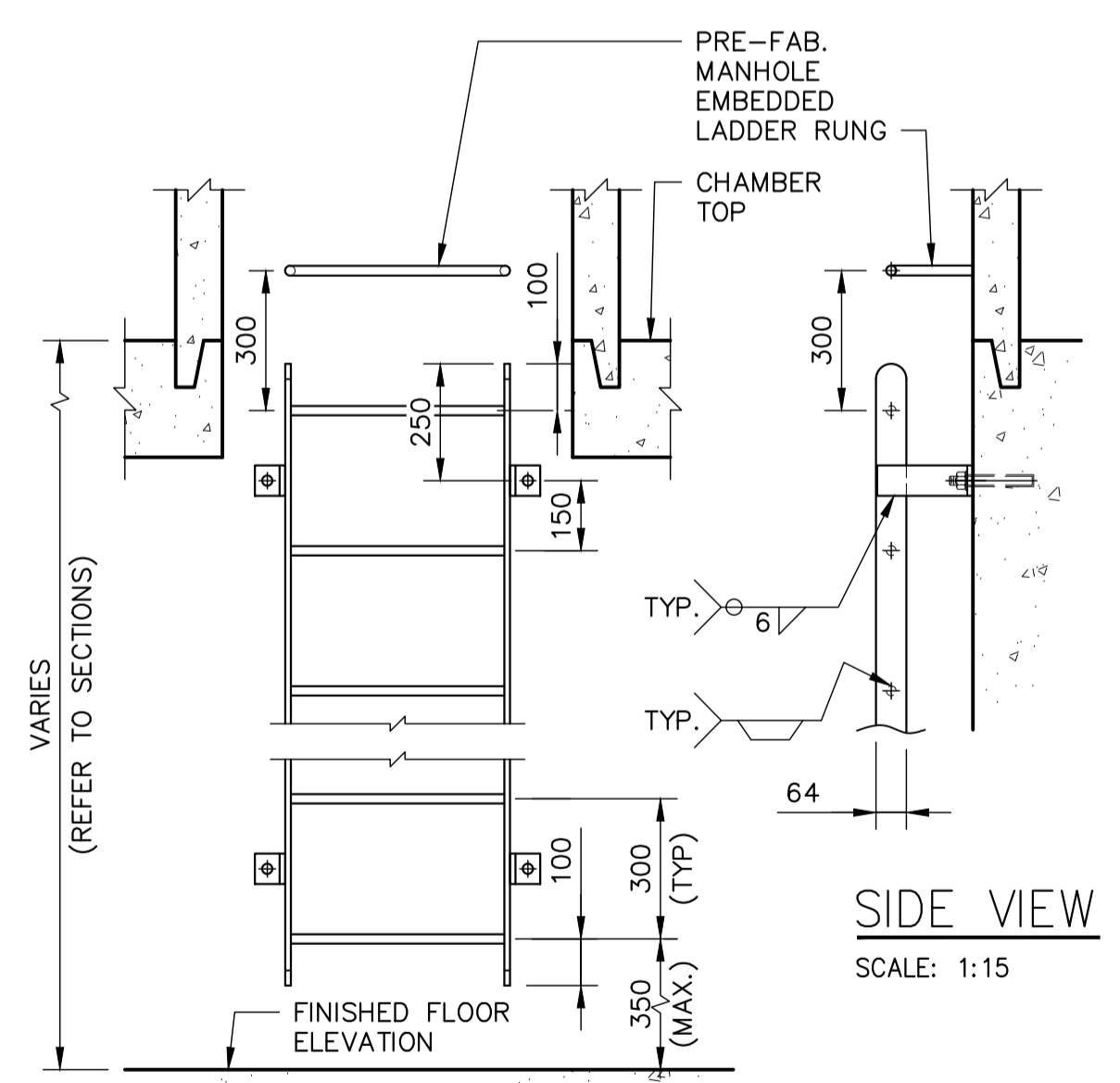
PLAN - TYPICAL CORNER HORIZONTAL REINFORCEMENT DETAILS
SCALE: 1:20



E SECTION
REF.1 SCALE: 1:20
REF.2

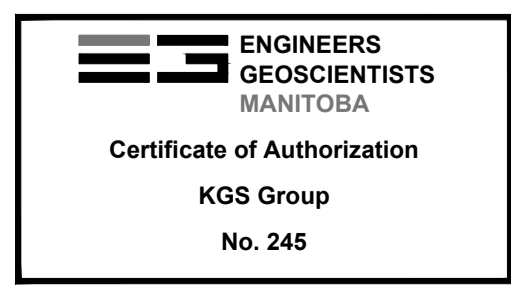


F SECTION - PIPE SADDLE SUPPORT
REF.1 SCALE: 1:20
REF.2



G SECTION
SCALE: 1:15

10	-	-
9	-	-
8	-	-
7	-	-
6	-	-
5	-	-
4	-	-
3	-	-
2	1-0798F-S0003-001	OFFTAKE STRUCTURE 3 - PLAN & SECTION
1	1-0798F-S0002-001	OFFTAKE STRUCTURE 2 - PLAN & SECTION
NO.	DRAWING NUMBER	REFERENCE DRAWING TITLE
REFERENCE DRAWINGS		



B.M. ELEV.			
CONSTRUCTION COMPLETION DATE: YYYY MM DD			
DESIGNED BY	JMW		
CHECKED BY			
DRAWN BY	FBV		
APPROVED BY	JMW		
SCALE:	AS SHOWN		
RELEASED FOR CONSTRUCTION			
DATE	2024 01 24		
DATE	2024 05 16		
DATE	2024 04 26		
NO.	REVISIONS	DATE	BY
1	RE-ISSUED FOR TENDER	2024 05 16	JMW
0	ISSUED FOR TENDER	2024 04 26	JMW

KGS GROUP

ENGINEER'S SEAL

CONSULTANT DRAWING NUMBER: **23-0107-009_S2.4**

THE CITY OF WINNIPEG
WATER AND WASTE DEPARTMENT
ENGINEERING DIVISION

CENTREPORT SOUTH REGIONAL WATER AND WASTEWATER SERVICING
PHASE 1A CONTRACT 4A - FEEDER MAIN

STRUCTURAL OFFTAKE STRUCTURES 2 & 3 - DETAILS

CITY DRAWING NUMBER: **1-0798F-S0004-001** SHEET **32** OF **34**