

**METAL SLAT WR:**

Galvanized Finish: Product # 52501063GLV

**WIRE BASKET:**

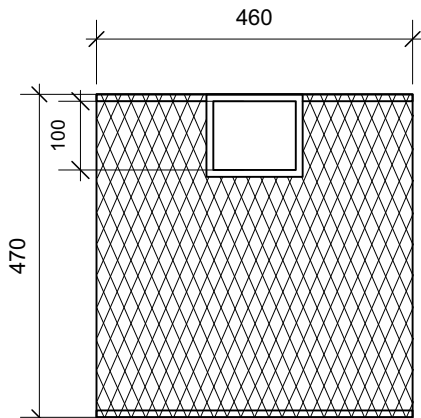
Galvanized Finish: Product # 52501063GLVi

Drawing Title:

**WASTE RECEPTACLE  
SIDE OPENING METAL SLAT TYPE**

Drawing No:

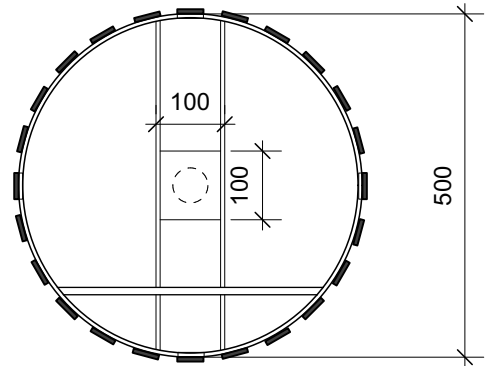
**SCD-119**



**WIRE BASKET**

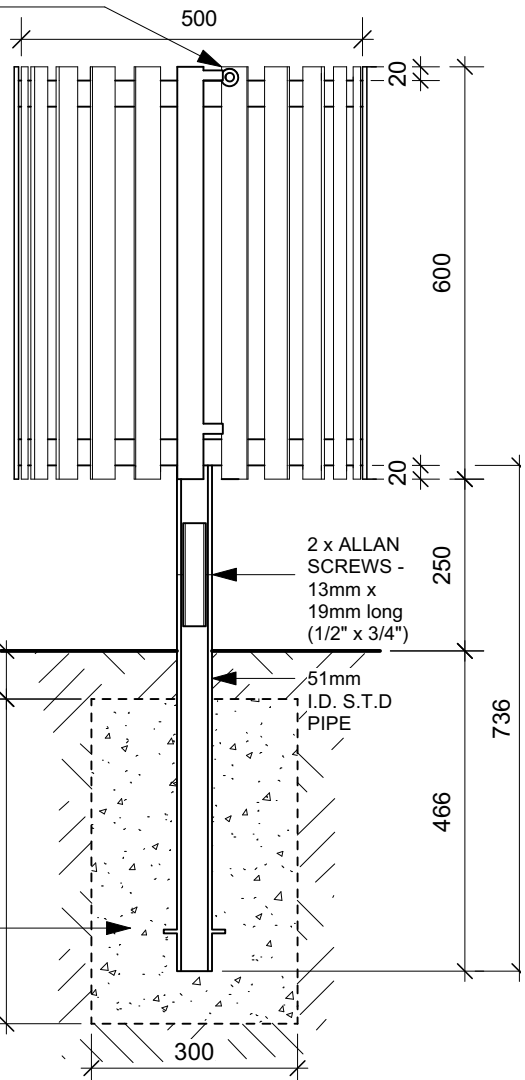
**NOTE FOR GALVANIZED FINISH:**

- METAL TO BE HOT DIPPED GALVANIZED.



**PLAN**

TO TAKE PADLOCK



**METAL SLAT WR**

CONCRETE BASE

DIMENSIONS SHOWN ARE IN MILLIMETRES UNLESS OTHERWISE SPECIFIED

REVISION: 5  
 DATE: July 12, 2023  
 SCALE: N.T.S.  
 DRAWN BY: GZ

The City of Winnipeg  
 Planning, Property and Development Department  
 Planning and Land Use Division  
 Unit 15 - 30 Fort Street, Winnipeg, MB, R3C 4X5

