

**Notes:**

**1. MATERIALS**

- a) WOOD SLATS:
  - VERTICAL GRAIN CLEAR SITCA SPRUCE OR CLEAR CEDAR
  - PAINTED FINISH: CEDAR
- b) METAL LEG OPTIONS: GALVANIZED

**2. MOUNTING**

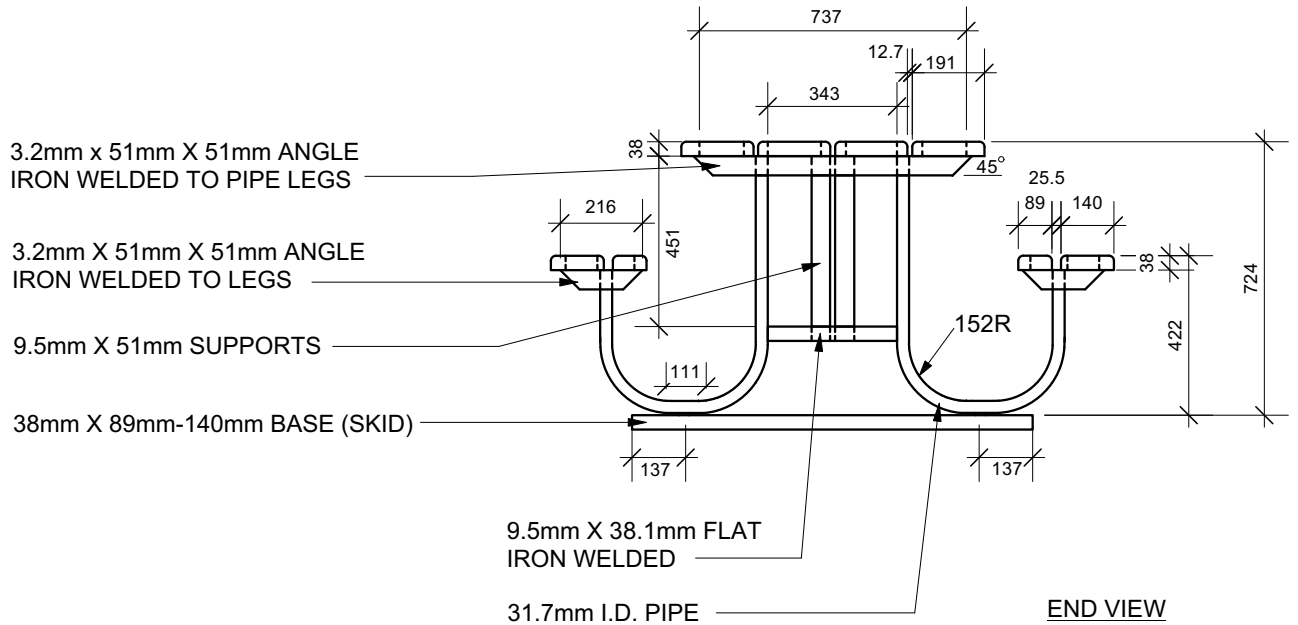
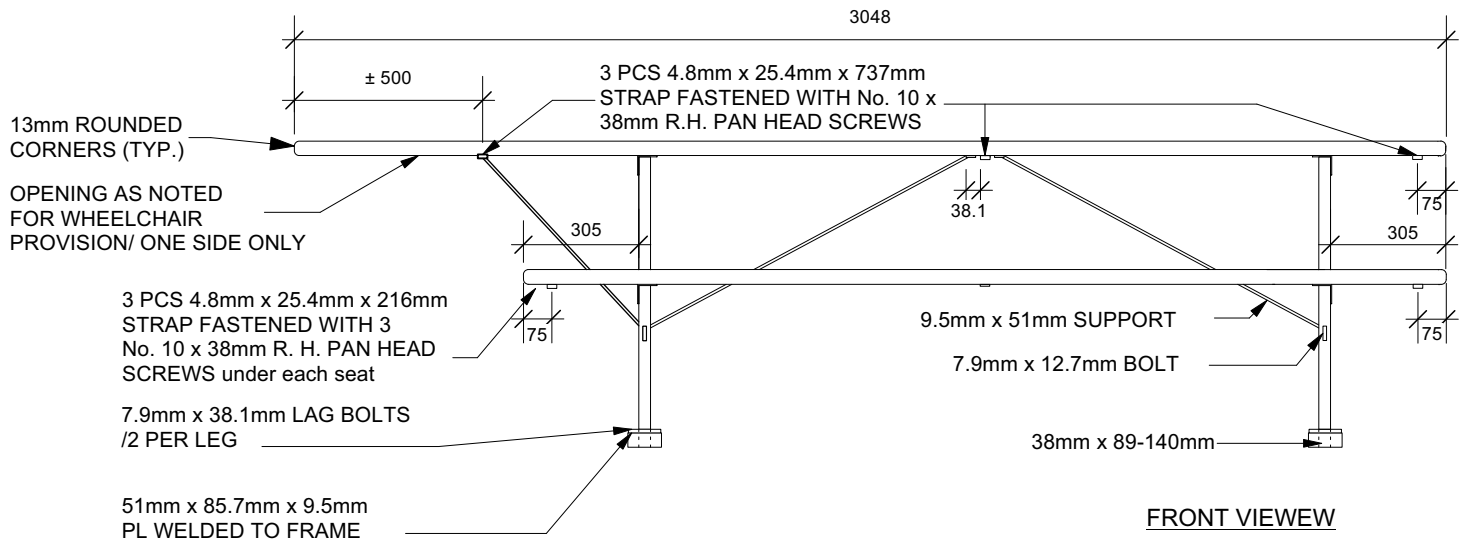
- a) SOD: 1 DUCKBILL ANCHOR
- b) GRANULAR/ASPHALT PAVEMENT: 2 DUCKBILL ANCHORS
- c) CONCRETE PAVEMENT: REMOVE TIMBER SKID, SURFACE MOUNT W/ 8 WEDGE ANCHORS C/W WASHER, MIN. 75 mm DEPTH.

Drawing Title:

**TACHE STYLE WHEELCHAIR METAL FRAME PICNIC TABLE**

Drawing No:

**SCD-122A**



**NOTE:**

ALL TABLE TOP AND SEAT BOARDS TO BE FASTENED TO ANGLE IRONS WITH 8mm CARRIAGE BOLTS, SECURED WITH WASHER AND NUT.

DIMENSIONS SHOWN ARE IN MILLIMETRES UNLESS OTHERWISE SPECIFIED

REVISION: 4  
 DATE: May 7/21  
 SCALE: N.T.S.  
 DRAWN BY: GZ/LL

The City of Winnipeg  
 Planning, Property and Development Department  
 Parks, Waterways & Community Initiatives Division  
 Unit 15 - 30 Fort Street, Winnipeg, MB, R3C 4X5

