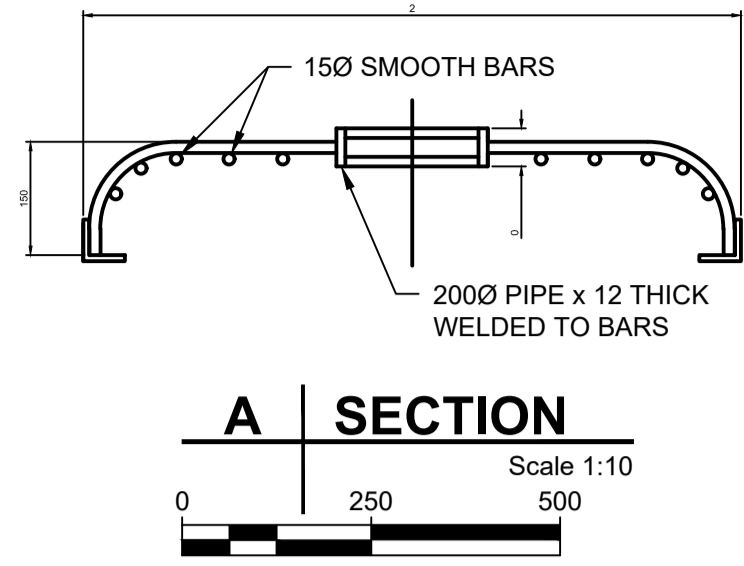
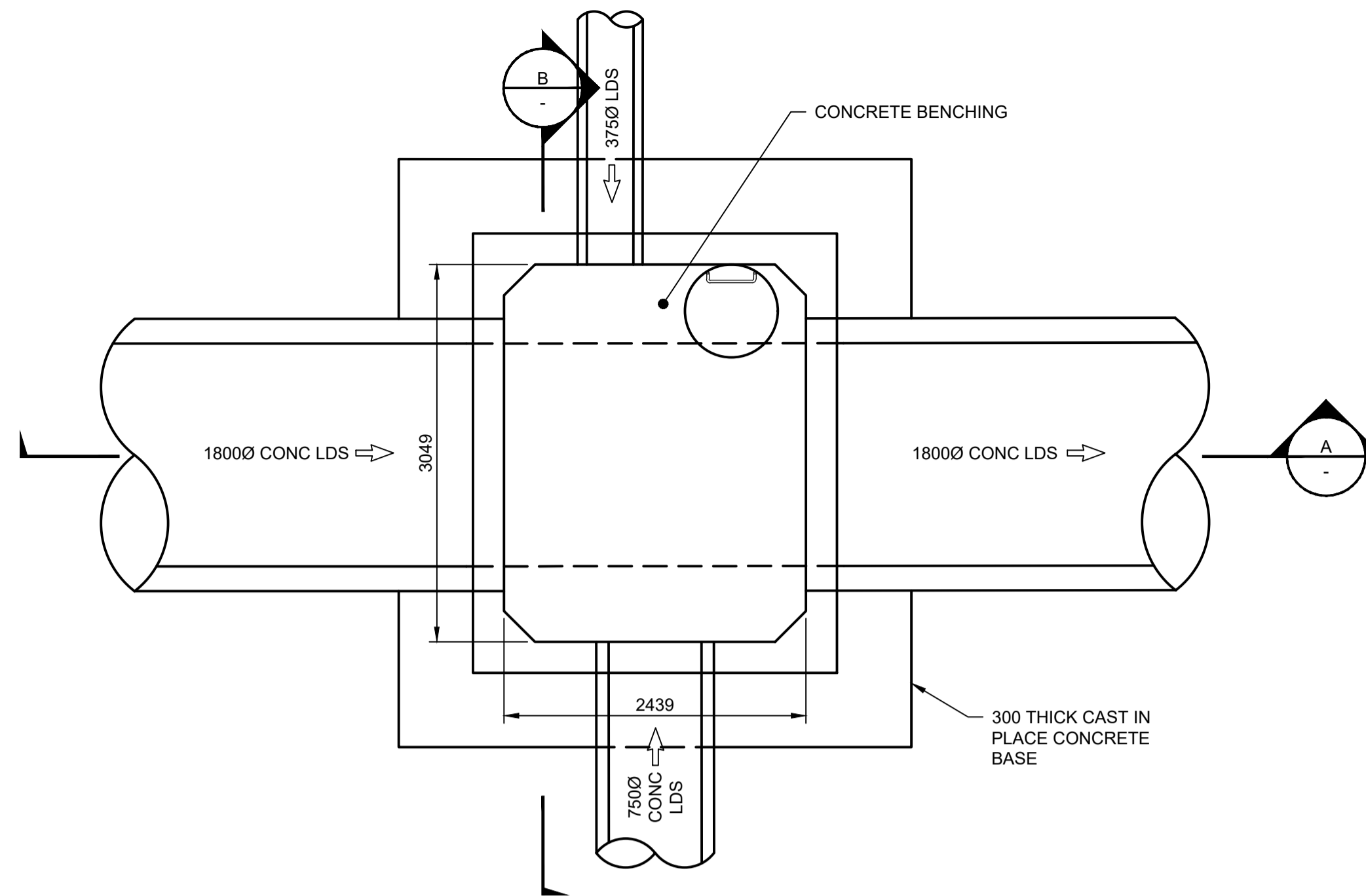


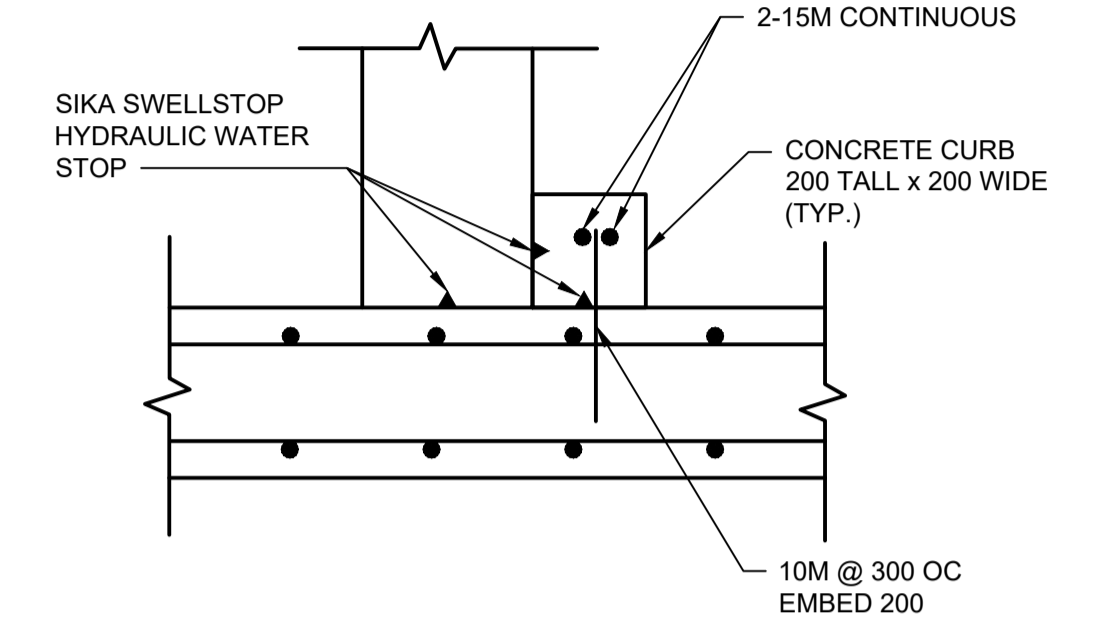
GRATE ATTACHMENT
Scale 1:2.5



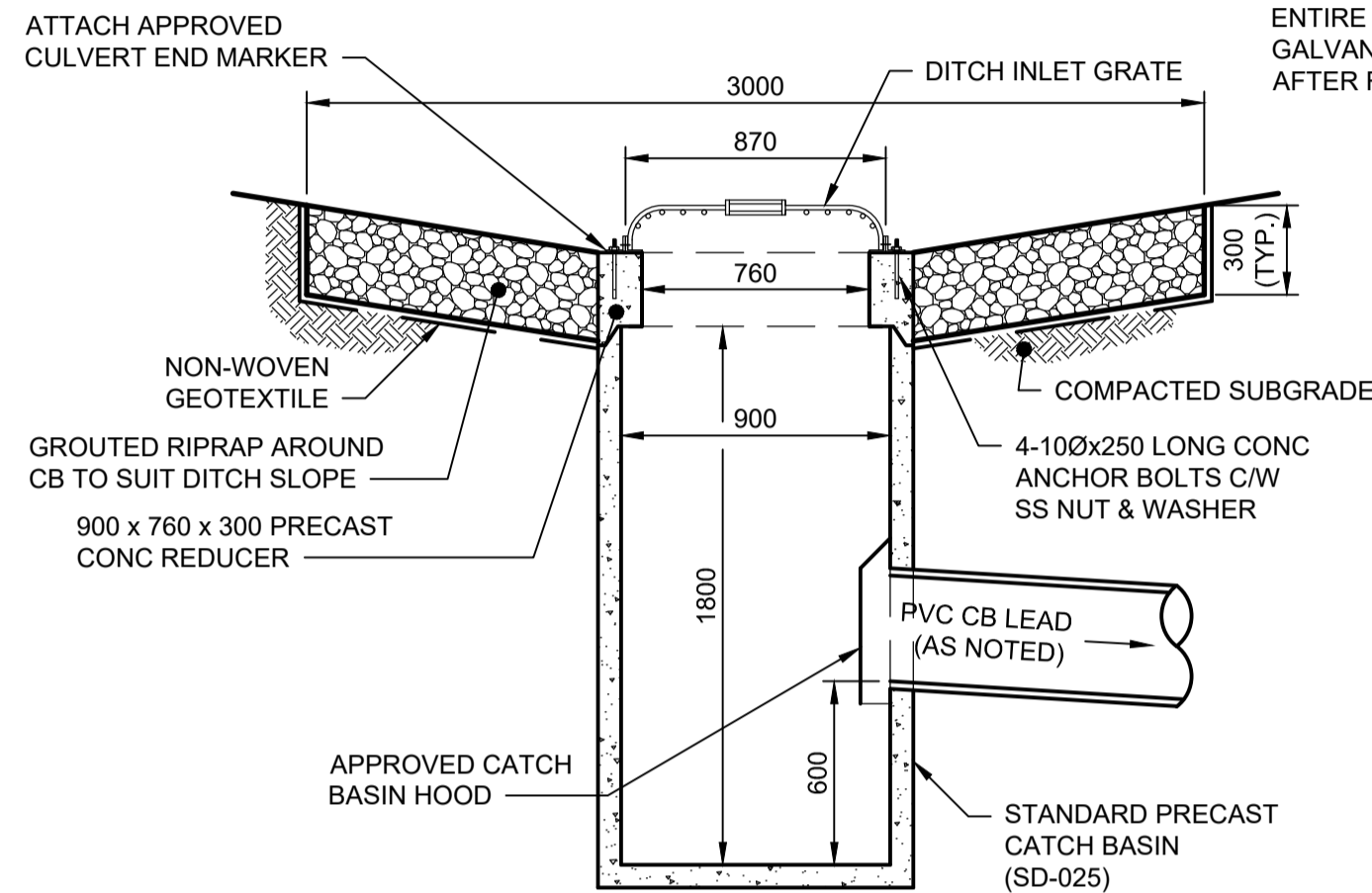
A SECTION
Scale 1:10



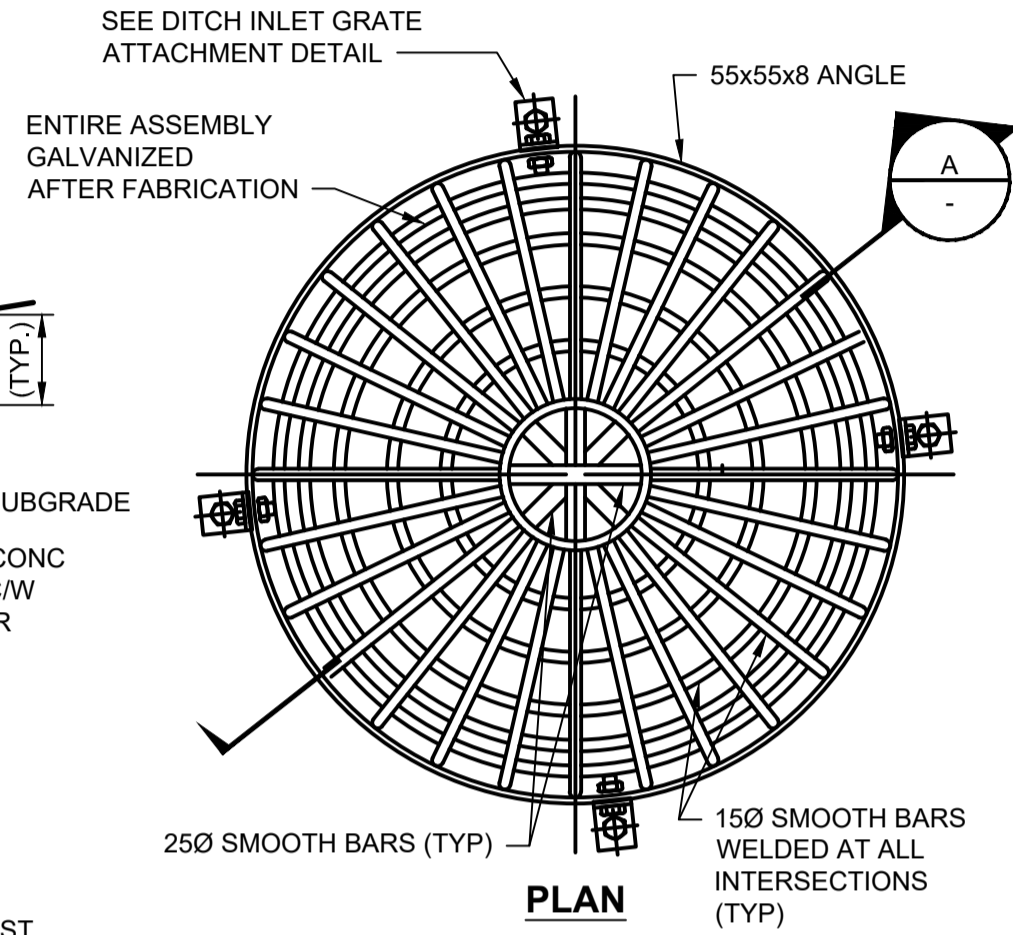
4 MANHOLE 9 DETAIL
Scale 1:40



5 CONC. CURB DETAIL
Scale NTS

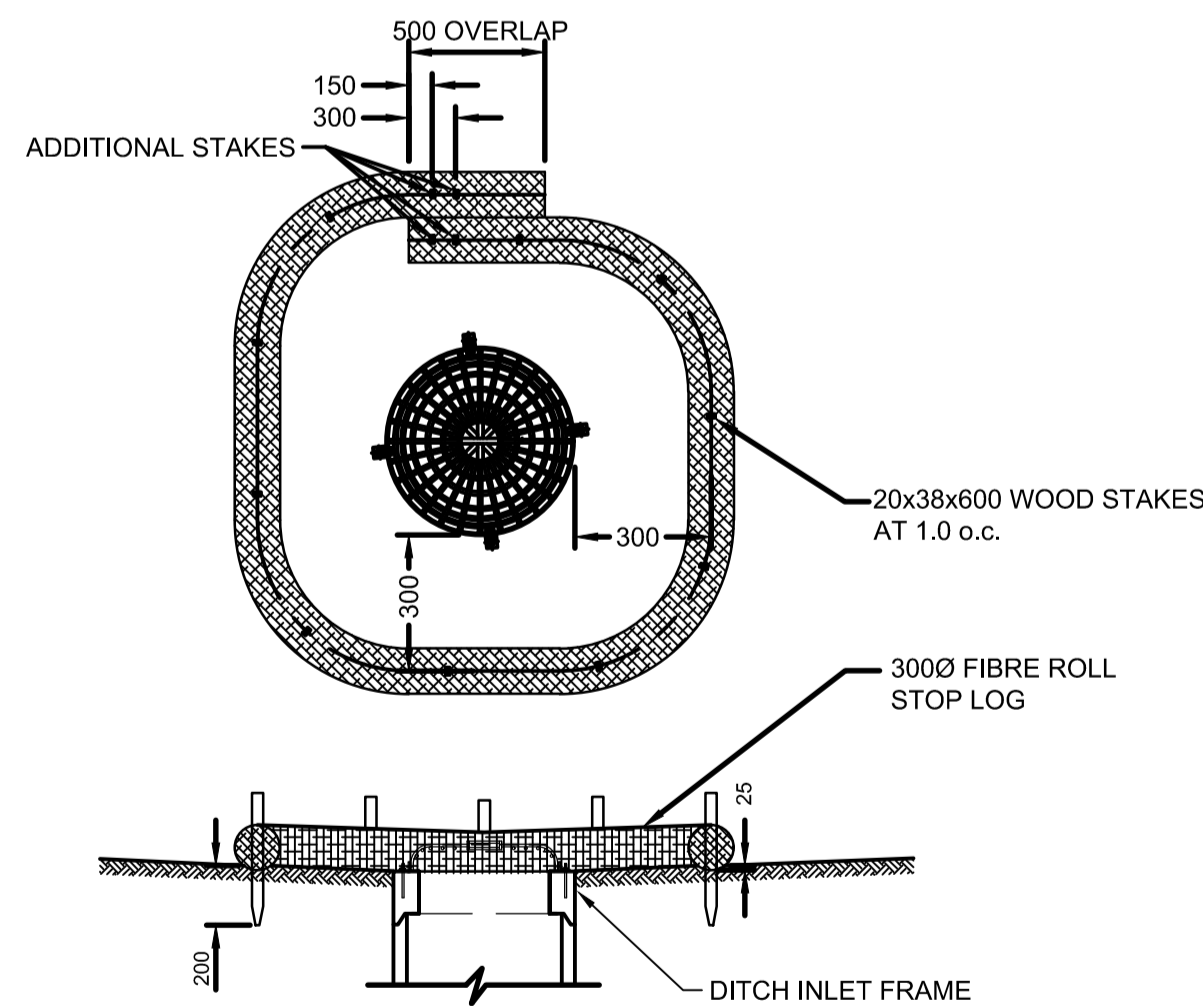


CATCHBASIN
Scale 1:25

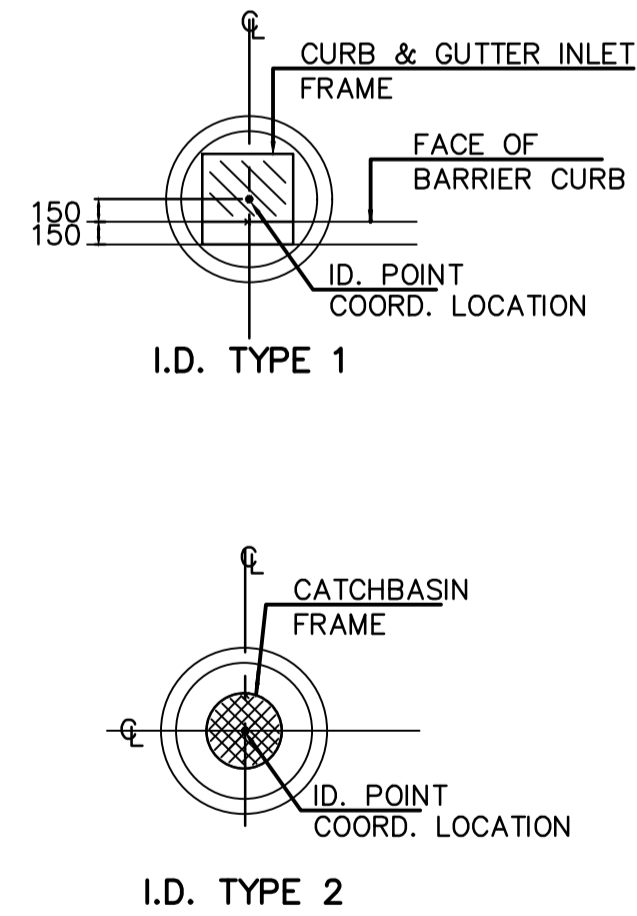


GRATE
Scale 1:10

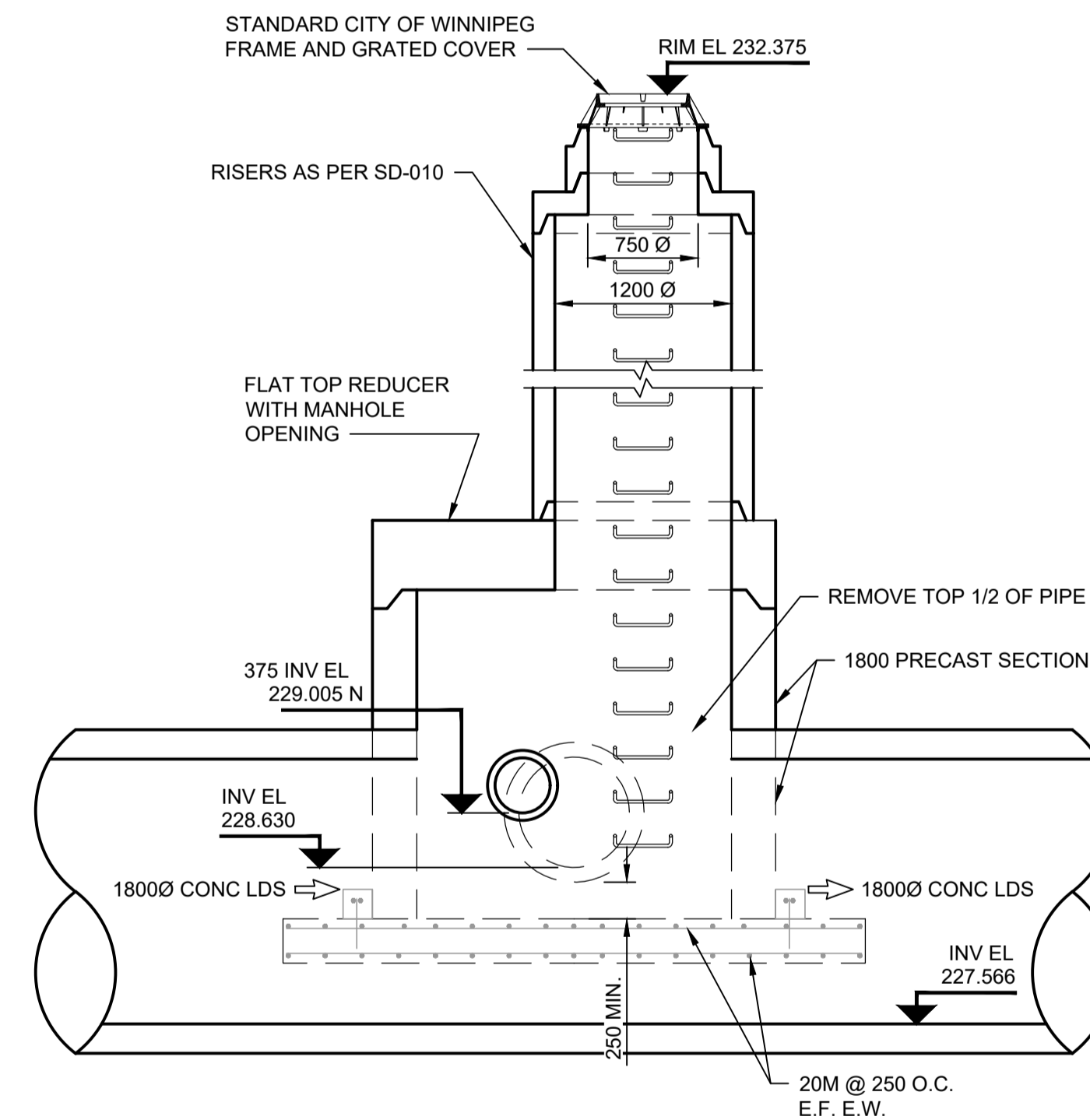
1 STANDARD CATCH BASIN INLET FRAME FOR DITCH
Scale NTS



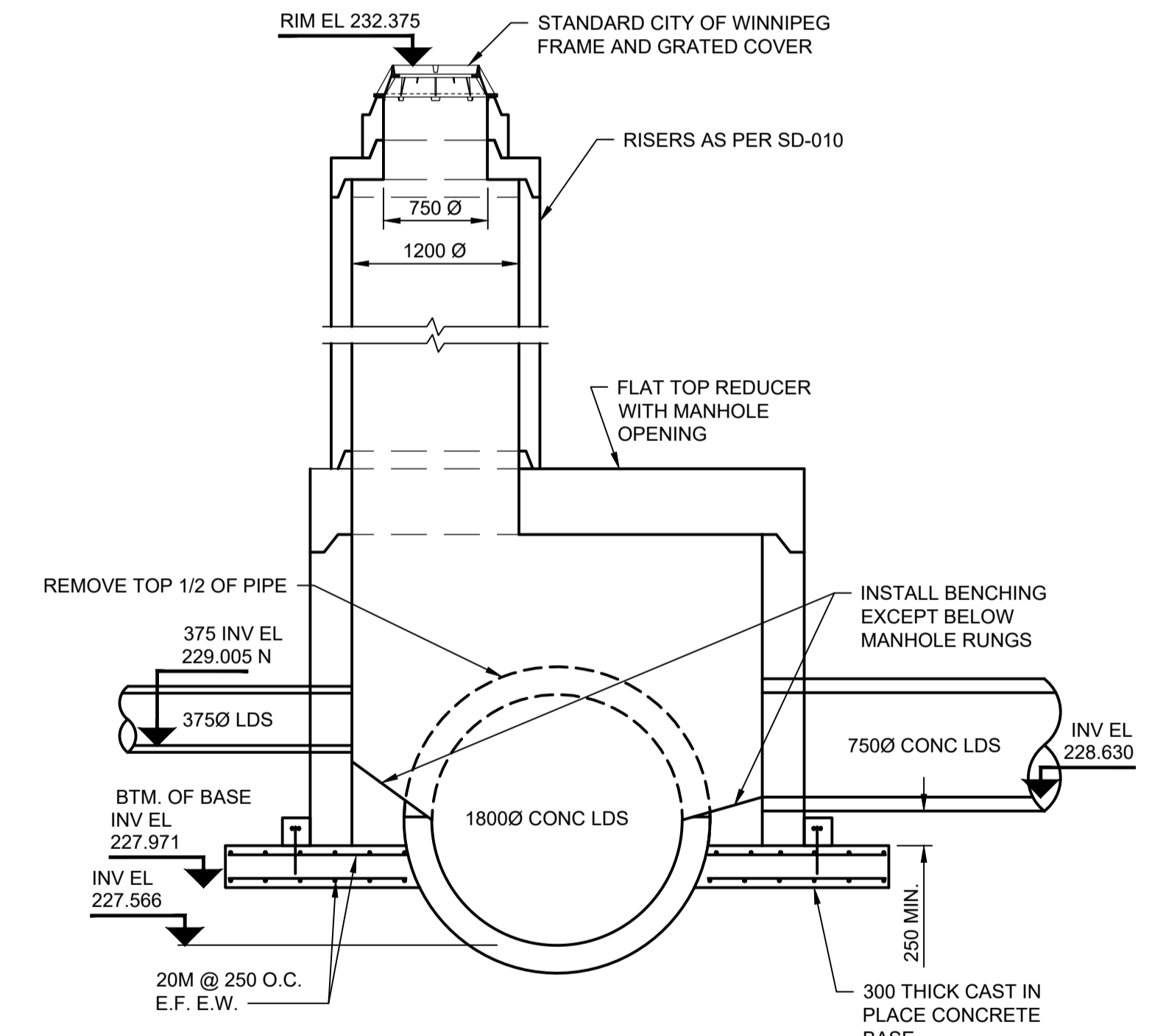
2 SEDIMENT CONTROL DETAIL
Scale NTS



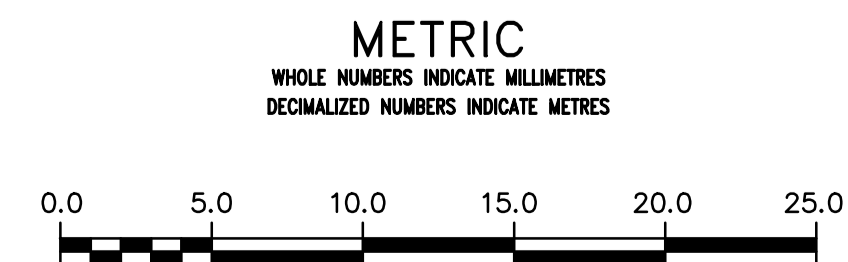
3 CATCH BASIN COORDINATE LOCATIONS
Scale NTS



A SECTION
Scale 1:40



B SECTION
Scale 1:40



WARNING
IF POWER EQUIPMENT OR EXPLOSIVES ARE TO BE USED FOR EXCAVATION ON THIS PROJECT THE CONTRACTOR MUST:
1) NOTIFY THE GAS COMPANY OF THE PROPOSED LOCATION OF EXCAVATION.
2) TAKE PRECAUTION TO AVOID DAMAGE TO GAS COMPANY INSTALLATIONS.
SEE PROVINCIAL REGULATION 210/72 FOR DETAILS

LOCATION APPROVED UNDERGROUND STRUCTURES
SUPV. U/G STRUCTURES COMMITTEE DATE
NOTE:
LOCATION OF UNDERGROUND STRUCTURES AS SHOWN ARE BASED ON THE BEST INFORMATION AVAILABLE BUT NO GUARANTEE IS GIVEN THAT ALL EXISTING UTILITIES ARE SHOWN OR THAT THE GIVEN LOCATIONS ARE EXACT. CONFIRMATION OF EXISTENCE AND EXACT LOCATION OF ALL SERVICES MUST BE OBTAINED FROM THE INDIVIDUAL UTILITIES BEFORE PROCEEDING WITH CONSTRUCTION.

VERTICAL DATUM: CGVD28 (HT2.0 Geoid)		ELEVATION: 234.128	
HORIZONTAL DATUM: NAD83 (June 1990), Zone 14			
NO.	ISSUED FOR TENDER	DATE	BY
0		24/06/20	GDL
NO.	REVISIONS	DATE	BY

AECOM

DESIGNED BY	NJD	CHECKED BY	MRP
DRAWN BY	GDL	APPROVED BY	RC
SCALE:		RELEASED FOR CONSTRUCTION	
HORIZONTAL	1:250		
VERTICAL	1:50		
DATE	2024 06 19	DATE	
PLOT DATE:	2024 06 19		

ENGINEER'S SEAL
PROVINCE OF MANITOBA
M.R. PETERS
Member
32908
REGISTERED PROFESSIONAL ENGINEER
CONSULTANT NO. 3308
CU-09

THE CITY OF WINNIPEG
WATER AND WASTE DEPARTMENT
ENGINEERING SERVICES DIVISION
2024 REGIONAL STREET RENEWAL PROGRAM
UNIVERSITY CRESCENT
DETAIL SHEET
SHEET 21 OF 21
CITY DRAWING NUMBER
LD-12978

74M574 - Tbl. in W. wall of Conc. parking garage of No. 77 University Cres. E. of Pembina Hwy., 0.9 m N. of S.W. cor. of garage, & 2.6 m below recreation deck.

FOR INDEX SEE
LD-12970